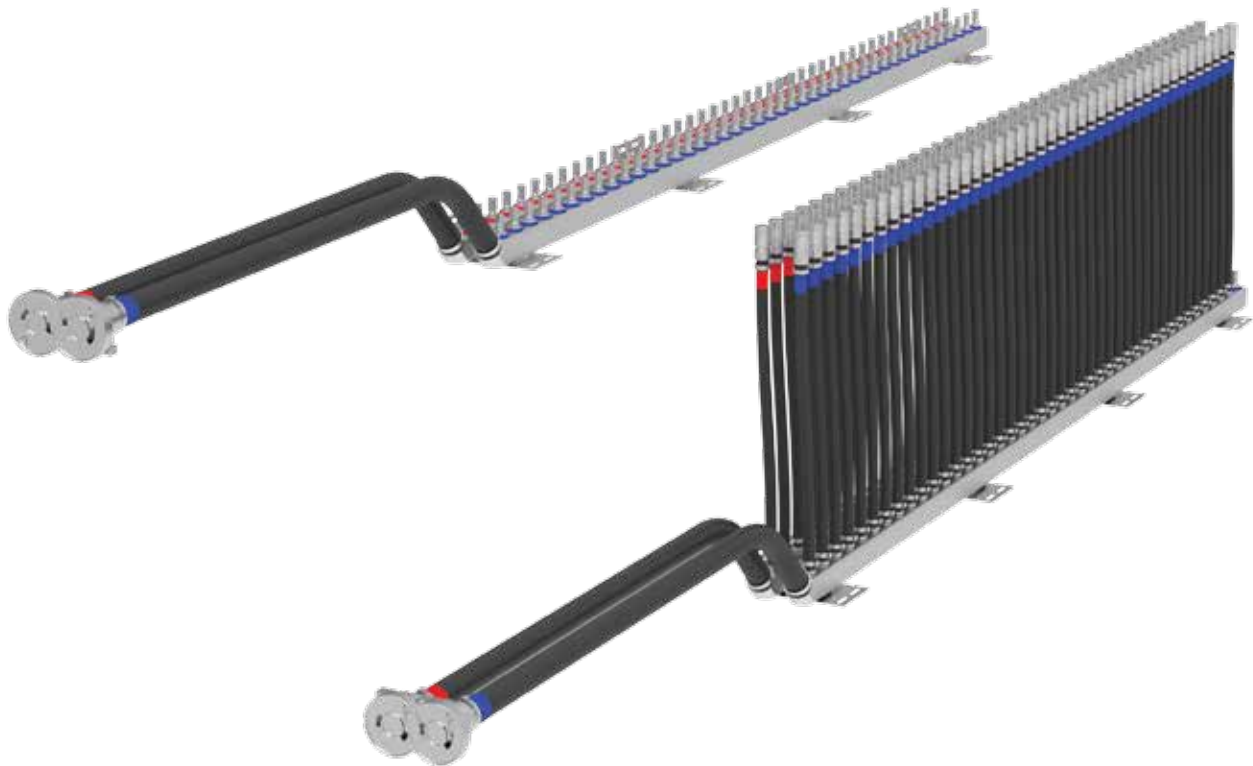


## RACKCHILLER RACK MANIFOLD



### APPLICATION

RackChiller Rack Manifolds are a configurable solution utilized in liquid cooled applications that require increased uptime and improved power usage effectiveness. Designed with integration and installation in mind, the manifolds utilize plug-and-play style connections, universal mounting features and coexist with other data center accessory equipment.

### FEATURES

- Delivers water-based coolant from CDU unit or facility manifolds to cold plate equipment
- Standard configuration uses jumper hoses to connect manifold to cold plate equipment (jumper hoses sold separately)
- Hose-whip configuration connects directly to cold plate equipment utilizing hose-whips attached directly to the manifold
- Various dripless, quick disconnect connectors available to match existing cold plate equipment
- Button-style mounting to be used with universal mounting brackets (also used with RackPower PDU products)
- Increases data up-time
- Extends server equipment life span
- Improves data center power usage effectiveness, providing annual return on investment
- Multiple connectivity options to match downstream cooling equipment needs

- Plug-and-play style installation
- Universal mounting features to coexist with other rack accessory equipment (i.e. PDU's, cable management, airflow management, etc.)
- Two major configurations designed to service alternate secondary cooling loop products

### SPECIFICATIONS

- 1.50 x 1.50 (38mm x 38mm) stainless steel tube construction
- Friction-drilled, ORB-6 port threads
- Standard manifolds utilize Parker NSP-06 quick disconnect connectors
- FD-83 supply/return ball valve connector

### COMPONENTS

Manifold set ships with:

- Two manifolds (1x supply and 1x return)
- Two sets of mounting brackets (total of 4 brackets including mounting hardware)

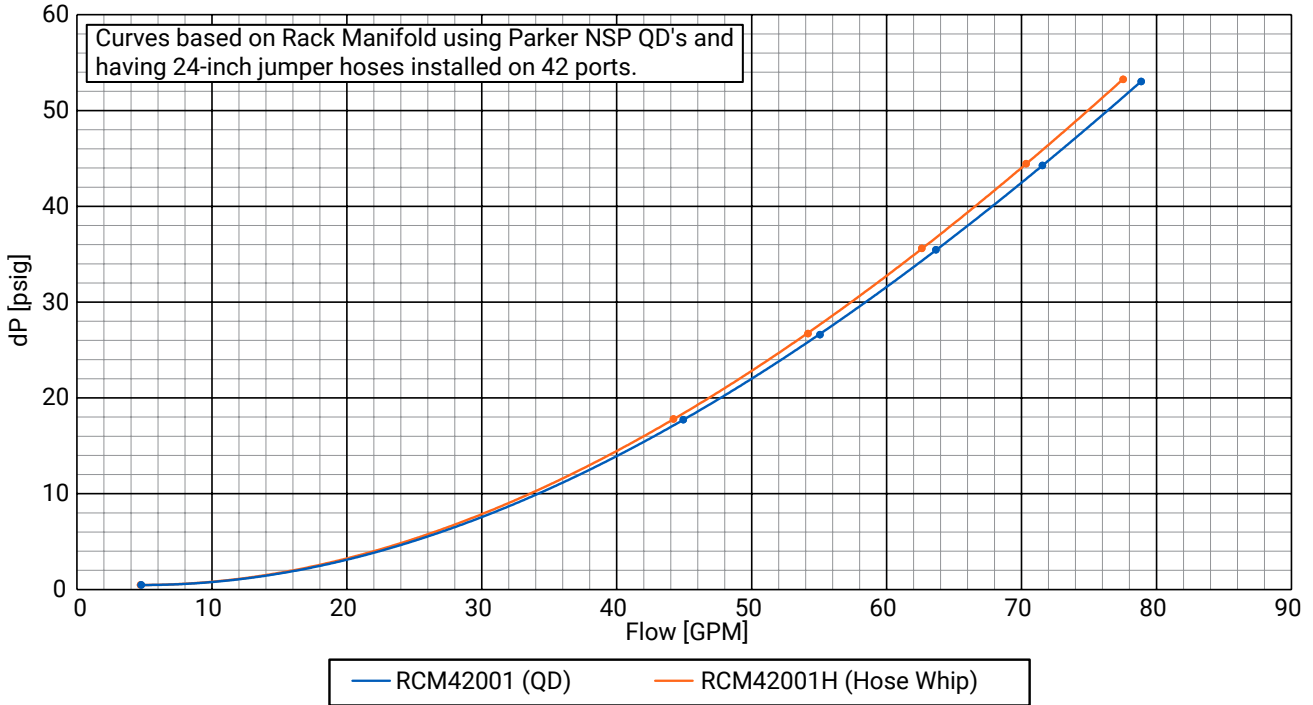
### FINISH

- Passivated stainless steel

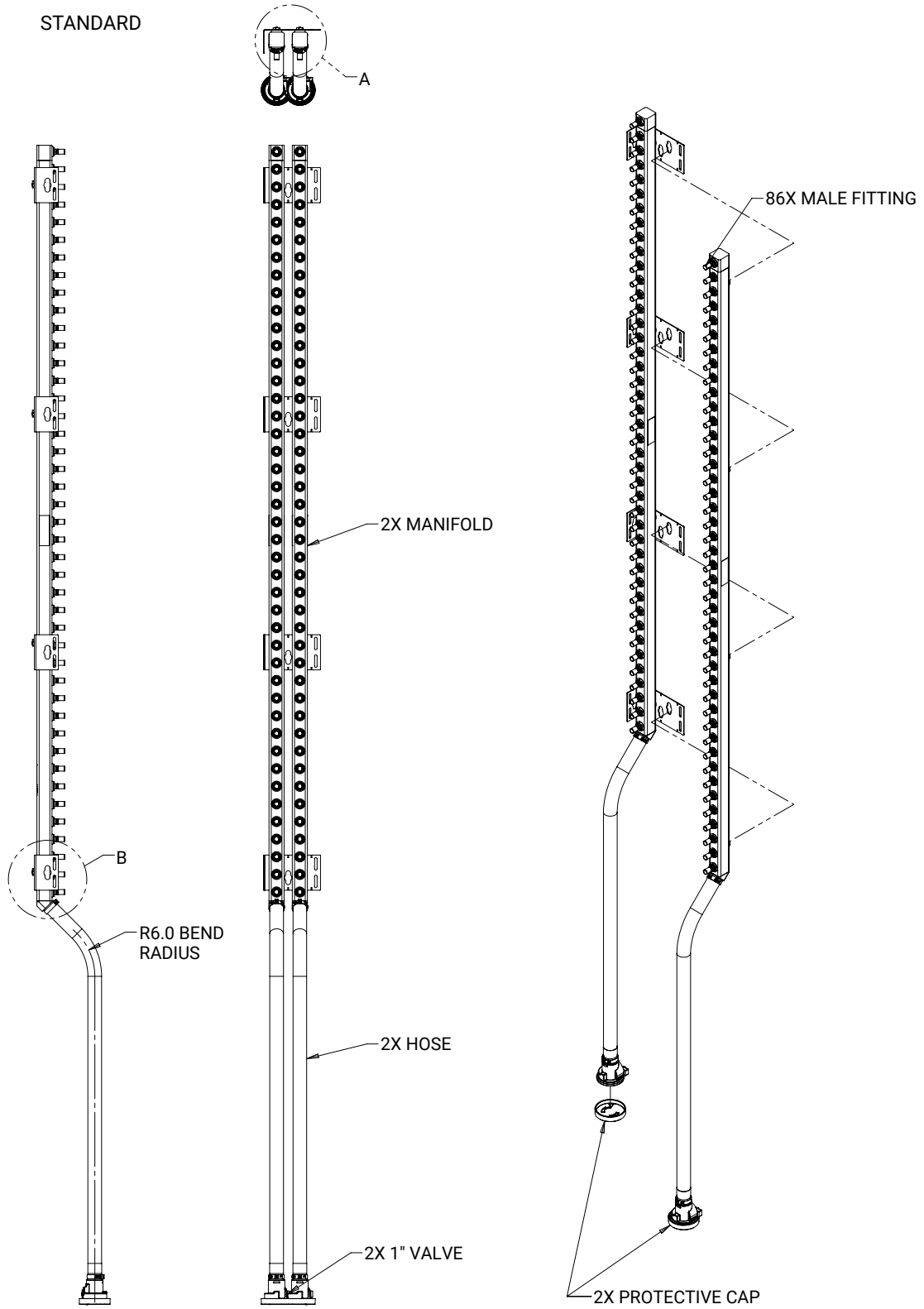
### Standard Product

Catalog Number	Description	Configuration	Fits Cabinet Rack Units	Quick Disconnect Connectors	Supply/Return Connector	Supply/Return Hose Length (in.)	Supply/Return Hose Length (mm)	Hose Whip Hose Length (in.)	Hose Whip Hose Length (mm)
RCM42001	Rack Manifold, Standard Ports	Standard	> 45U	NSP06	FD83	36	914	N/A	N/A
RCM42001H	Rack Manifold, Standard Hose Whips	Hose Whip	> 45U	NSP06	FD83	36	914	18	457

### Rack Manifold Impedance Curves

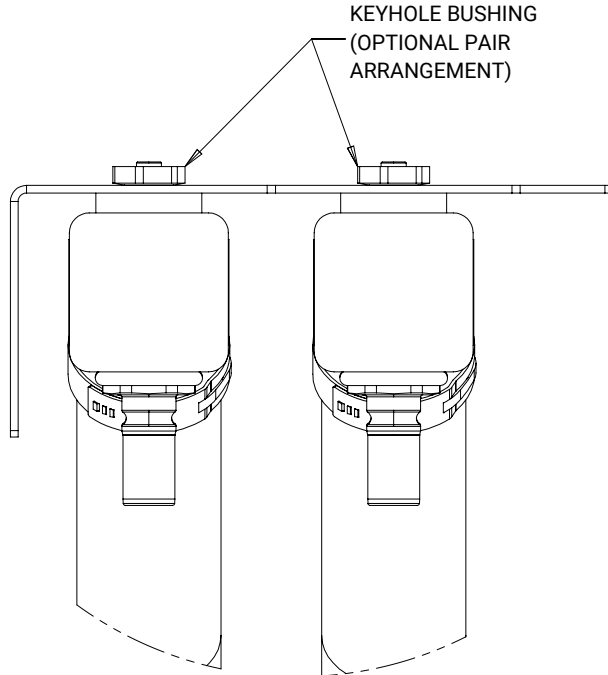


STANDARD



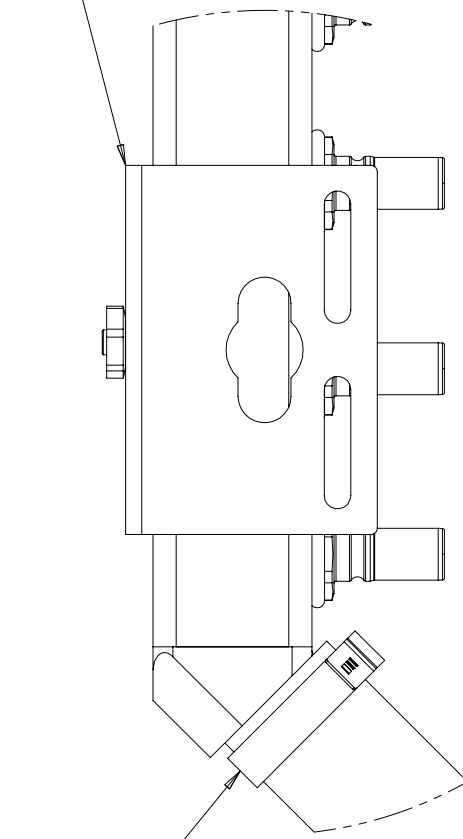
Note: two pairs of mounting brackets are included with package content.

STANDARD DETAILS



DETAIL A

BRACKET SHOWN INSTALLED (OPTIONAL ORIENTATION)

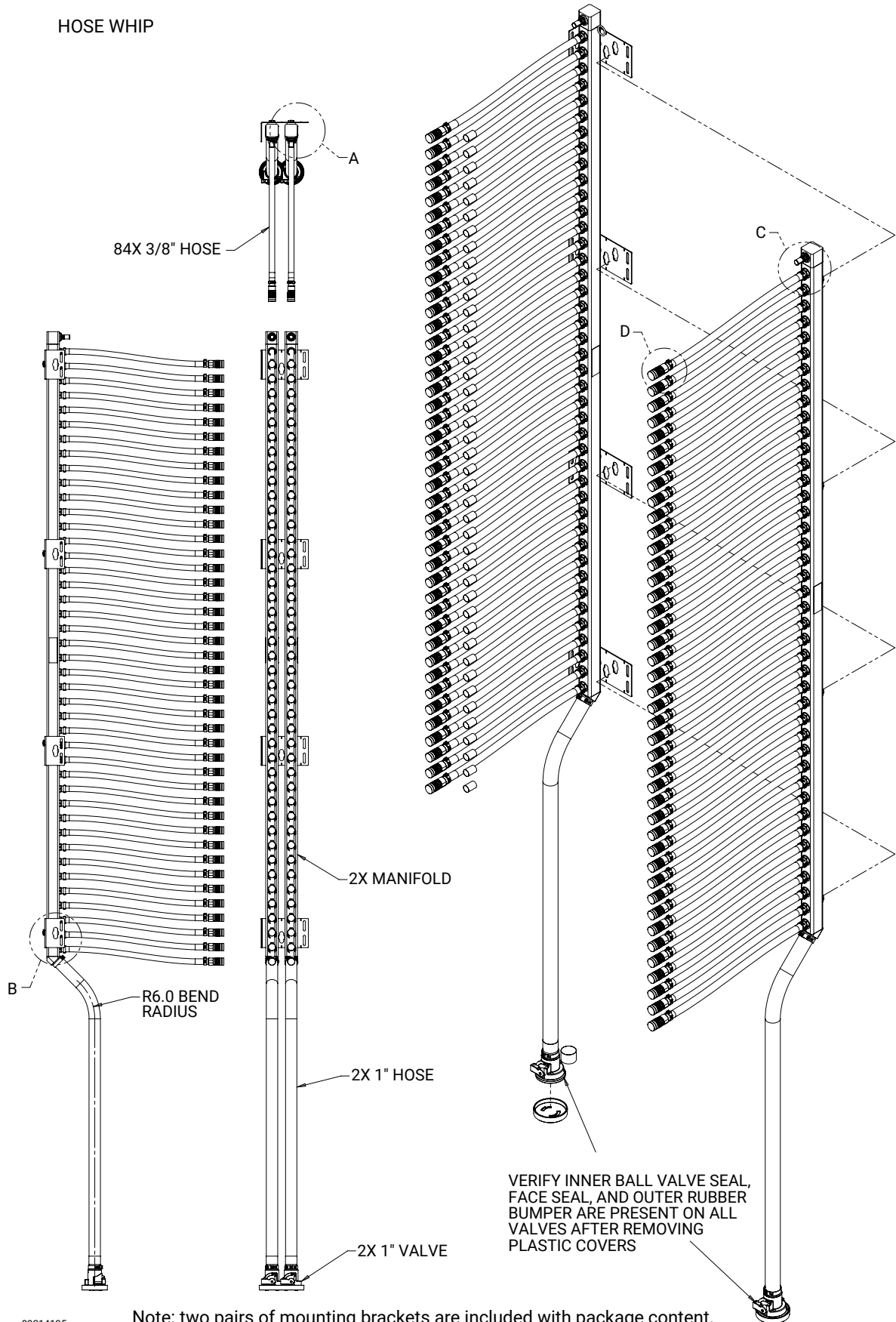


DETAIL B

MODEL NUMBER		RCM42001
MANIFOLD	TUBE	1.5" SQR X .120" 304L STAINLESS STEEL
	END CAP	304L STAINLESS STEEL
	BARBED FITTING	304L STAINLESS STEEL
1" HOSE		1" X 36.00 LG. EPDM
1" CLAMP		10 MM WIDE, 360° STEPLESS EAR, 304 STAINLESS STEEL VIBRATION RESISTANT
1" VALVE - BARBED	BODY,PARTS	STAINLESS STEEL
	O RINGS, FACE SEAL	EPR
	BUMPER	BLACK CHLOROPRENE
ORB-6 MALE & FEMALE FITTINGS	BODY, PARTS	STAINLESS STEEL
	SEAL	EPDM
MOUNTING BRACKET	SHEET METAL	14 GAUGE PAINTED MILD STEEL
KEYHOLE BUSHING		ACETAL COPOLYMER
TESTED TO 150 PSI HYDROSTATIC STRENGTH AS PER UL 1995		

89214134

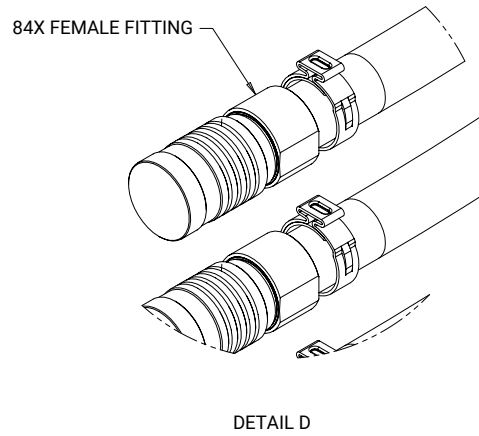
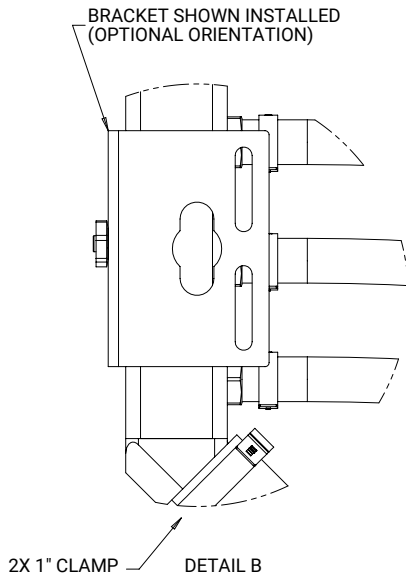
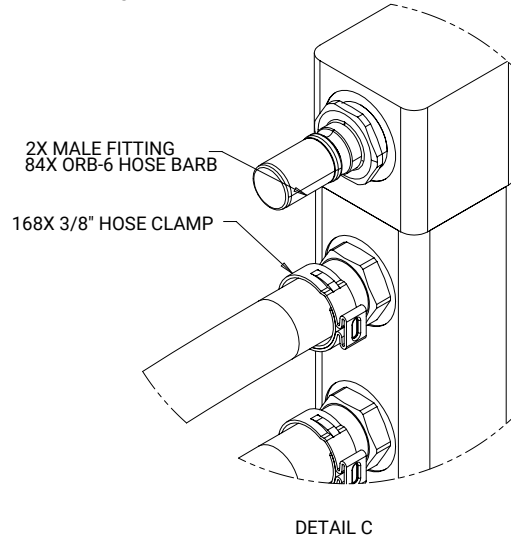
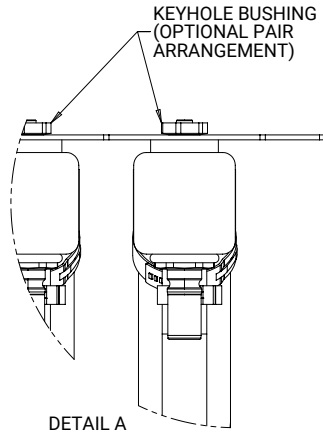
HOSE WHIP



89214135

Note: two pairs of mounting brackets are included with package content.

HOSE WHIP DETAILS



MODEL NUMBER		RCM42001H
MANIFOLD	TUBE	1.5" SQR X .120" 304L STAINLESS STEEL
	END CAP	304L STAINLESS STEEL
	BARBED FITTING	304L STAINLESS STEEL
3/8" HOSE		3/8" X 18.00 LG. EPDM
1" HOSE		1" X 36.00 LG. EPDM
3/8" CLAMP		7 MM WIDE, 360° STEPLESS EAR, 304 STAINLESS STEEL VIBRATION RESISTANT
1" CLAMP		10 MM WIDE, 360° STEPLESS EAR, 304 STAINLESS STEEL VIBRATION RESISTANT
1" VALVE - BARBED	BODY,PARTS	STAINLESS STEEL
	O RINGS, FACE SEAL	EPR
	BUMPER	BLACK CHLOROPRENE
MALE & FEMALE FITTINGS	BODY, PARTS	STAINLESS STEEL
	SEAL	EPDM
ORB-6 HOSE BARB	BODY, PARTS	BRASS
	SEAL	FLUOROCARBON
MOUNTING BRACKET	SHEET METAL	14 GAUGE PAINTED MILD STEEL
KEYHOLE BUSHING		ACETAL COPOLYMER
TESTED TO 150 PSI HYDROSTATIC STRENGTH AS PER UL 1995		

89214136

**RACKCHILLER RACK MANIFOLD CONNECTION KITS**

**APPLICATION**

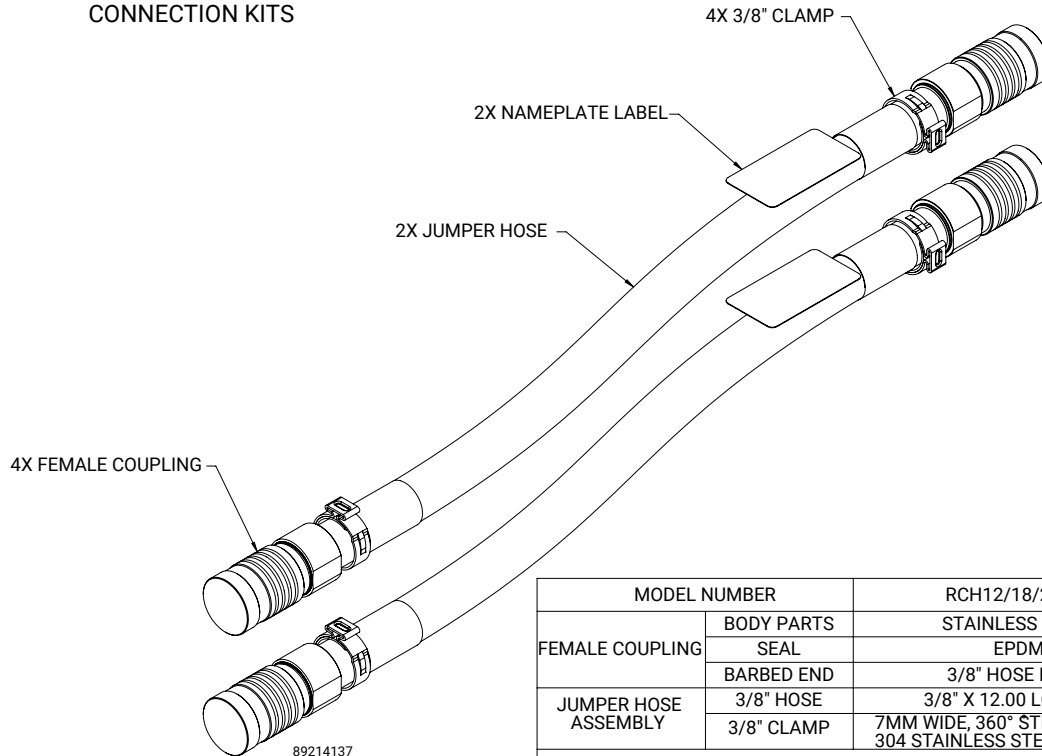
The nVent HOFFMAN Connection Kits facilitate the flow of liquid between the standard configuration manifold and the IT equipment. They fit a variety of installations including nVent connectors to customer connectors.

**FEATURES**

- Facilitate the flow of liquid between the standard configuration manifold and the IT equipment
- Provides flexibility in connectors and hose length, fitting a variety of installation methods
- Ability to use nVent preferred connectors on one end with customer preferred connectors on the opposite

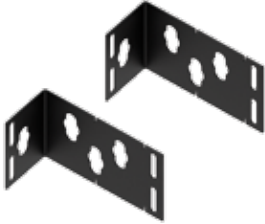
**Standard Product**

Catalog Number	Description	Hose Length (in.)	Hose Length (mm)	Quick Disconnect Connector Side 1	Quick Disconnect Connector Side 2
RCH12001	Connection kit, NSP06 to NSP06	12	305	NSP06, Barbed Socket	NSP06, Barbed Socket
RCH12002	Connection kit, NSP06 to SCG06	12	305	NSP06, Barbed Socket	SCG06, Barbed Socket
RCH18001	Connection kit, NSP06 to NSP06	18	457	NSP06, Barbed Socket	NSP06, Barbed Socket
RCH18002	Connection kit, NSP06 to SCG06	18	457	NSP06, Barbed Socket	SCG06, Barbed Socket
RCH24001	Connection kit, NSP06 to NSP06	24	610	NSP06, Barbed Socket	NSP06, Barbed Socket
RCH24002	Connection kit, NSP06 to SCG06	24	610	NSP06, Barbed Socket	SCG06, Barbed Socket

**CONNECTION KITS**


MODEL NUMBER		RCH12/18/24001
FEMALE COUPLING	BODY PARTS	STAINLESS STEEL
	SEAL	EPDM
	BARBED END	3/8" HOSE BARB
JUMPER HOSE ASSEMBLY	3/8" HOSE	3/8" X 12.00 LG. EPDM
	3/8" CLAMP	7MM WIDE, 360° STEPLESS EAR 304 STAINLESS STEEL
TESTED TO 150 PSI HYDROSTATIC STRENGTH AS PER UL 1995		

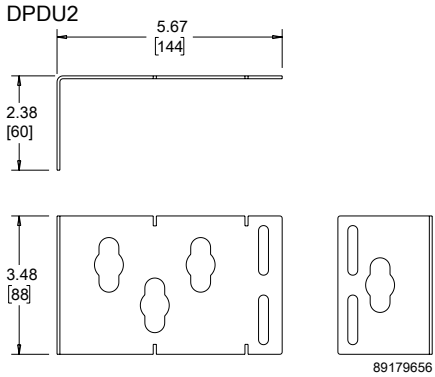
**MOUNTING BRACKET, DPDU2**



Mounting brackets allow installation to the cabinet frame or rack angles using many different configurations. Kit includes two brackets and mounting hardware.

**BULLETIN: DPDU**

Catalog Number	Color	Color Code	Finish	Thickness (ga.)	Package Quantity
DPDU2	Jet Black	RAL 9005	Powder Coated	14	2



**RM PURGE KIT NSP06**



RM Purge Kit NSP06 provides air purging since it is important to purge all air from the cooling infrastructure before commissioning any system.

Catalog Number	Description
RCPKIT001	Purges air from RackChiller Rack Manifold system before commissioning.