



CONNECT AND PROTECT

Inpac

04/2024


nvent

SCHROFF

19" chassis – Inpac

OVERVIEW

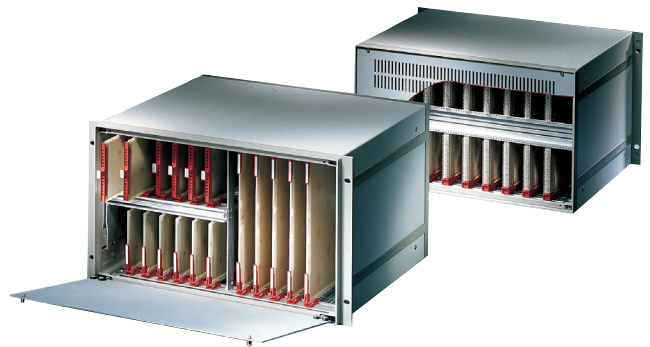
MAIN KATALOG

- Cabinets 1
- Wall mounted cases 2
- Accessories for cabinets and wall mounted cases . . 3
- Climate control . . 4
- Electronics cases 5
- Subracks/ 19" chassis 6
- Front panels, plug-in units 7
- Systems 8
- Power supply units 9
- Backplanes 10
- Connectors, front panel component system 11
- Appendix 12



Robust 19" chassis, also for board assembly

02192005



Assembly with boards and hinged front panel

02192001

02196001

STANDARDS

- External dimensions in accordance with:
IEC 60297-3-101
- Ingress protection IP 20 to IEC 60529
- GND/earthing connectors to:
DIN EN 50178/VDE 0160
DIN EN 62368-1/VDE 0805
DIN EN 61010-1/VDE 0411 part 1
DIN EN 61010-1A2/VDE 0411 part 1/A1

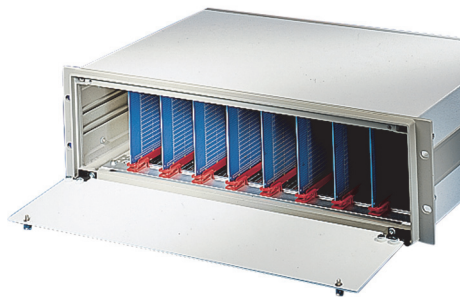
19" chassis – Inpac

OVERVIEW

Overview 6.128

19" CHASSIS WITH HIGH MECHANICAL STABILITY

- Also usable as desk-top case
- Robust cases from aluminium die-cast frames to front and rear
- Flexible assembly for standardised board formats or individually, e.g. for mounting plates
- Cost benefit with mounting service and custom processing in ServicePLUS



02192002

19" CHASSIS/DESK-TOP ENCLOSURE

- 2 U, 3 U, 4 U and 6 U heights

inpac
19" chassis 6.130

Accessories
Full-width front panels 6.131
Full-width rear panels 6.131
Support rails 6.132
Perforated rails ... 6.132
GND/earthing kit ... 6.133
Dimensions 6.136



02192003

INPAC BUILT INTO 19" CABINET

SERVICEPLUS

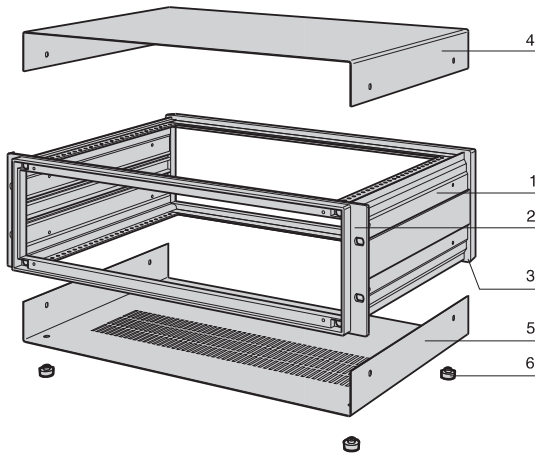
- e.g. individual configuration and assembly from 1 piece
- e.g. printing
- e.g. cut-outs in front or rear panels or cover plates
- e.g. modification (special colours)
- e.g. custom solutions (special depths, electromagnetically shielded applications)

19" chassis – Inpac

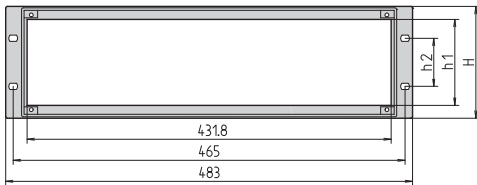
19" CHASSIS



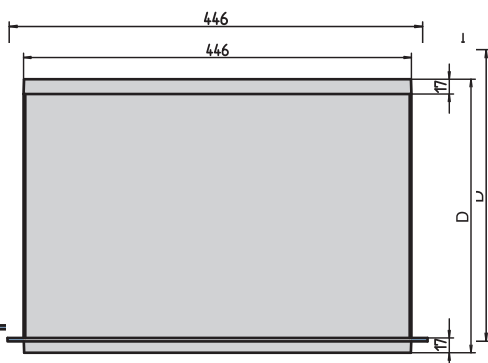
02192006



ipa30632



h1 = useable height



IPA30635



IPA30704

IPA30706

- For assembly with 19" components or individually with mounting plates
- Three rows ventilation slots in base for air inlet

DELIVERY INCLUDES (Kit)

Item	Qty	Description
1	2	Side panel, Al extrusion, RAL 7030, at 6 U: 2 Al corner profiles, 1 divider plate (steel plate)
2	1	Front frame, Al die-cast, RAL 7030, rear side with counterbores for drill holes to mount handles and front panels
3	1	Rear frame, Al die-cast, RAL 7030
4	1	Cover plate, St, 1 mm, zinc-coated RAL 7035, with GND/earthing connection
5	1	Base plate, St, 1 mm, zinc-coated RAL 7035, with GND/earthing connection
6	4	Case foot with anti-slip protection, PC, UL 94 V-0
7	1	Assembly kit

ORDER INFORMATION

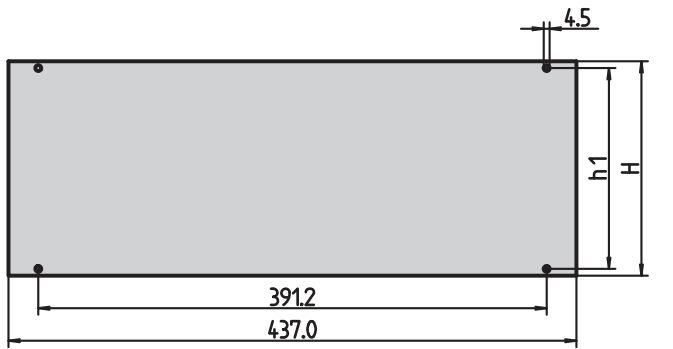
Height H	Height H	h	h1	h2	Depth D	Part no.
U	mm	mm	mm	mm	mm	
2	88.0	86.0	57.5	76.2	254.5	10828-171
2	88.0	86.0	57.5	76.2	314.5	10828-172
2	88.0	86.0	57.5	76.2	374.5	10828-173
3	132.5	130.5	102.0	57.2	254.5	10828-151
3	132.5	130.5	102.0	57.2	314.5	10828-152
3	132.5	130.5	102.0	57.2	374.5	10828-153
3	132.5	130.5	102.0	57.2	434.5	10828-154
4	177.0	174.5	146.5	101.6	254.5	10828-156
4	177.0	174.5	146.5	101.6	314.5	10828-157
4	177.0	174.5	146.5	101.6	374.5	10828-158
4	177.0	174.5	146.5	101.6	434.5	10828-159
6	265.9	263.5	235.4	190.5	374.5	10828-168
6	265.9	263.5	235.4	190.5	434.5	10828-169

NOTE

- Max. installation space when fitting 19" components is 75 HP
- Scope of delivery includes screws to fix rear and front panels
- Cover- and base plate available in other colors
- Modifications such as breakouts or other dimensions possible
- or mounting / extension parts, see the following pages

19" chassis – Inpac

FRONT PANEL



IPA42082

DELIVERY COMPRISES

Item	Qty	Description
1	1	Front panel, Al, 2.5 mm, anodised, cut edges untreated

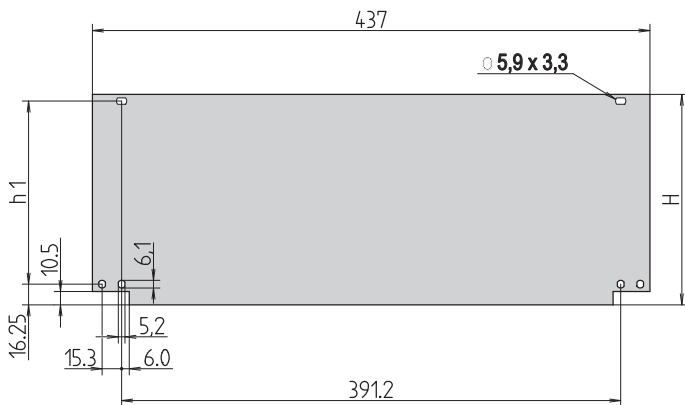
ORDER INFORMATION

Height U	Height H mm	h1 mm	Part no.
2	76.0	65.6	30828-055
3	120.5	110.0	30828-058
4	165.0	154.5	30828-061
6	253.8	243.4	30828-067

Note

- The assembly kit for the front panel is included with the 19" chassis

FRONT PANEL, BOTTOM-HINGED



ipa42083

DELIVERY COMPRISES

Item	Qty	Description
1	1	Front panel, hinged, Al, 2.5 mm, anodised, cut edges untreated

ORDER INFORMATION

Height U	Height H mm	h1 mm	Part no.
2	76.0	54.5	30828-085
3	120.5	99.0	30828-088
4	165.0	143.5	30828-091
6	253.8	232.3	30828-097

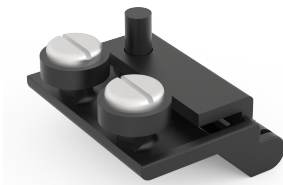
 Hinge for front panel PPE, UL 94 V-0,
 PU 1 kit (includes fixing material kit and 2 collar screws)

20828-028

Note

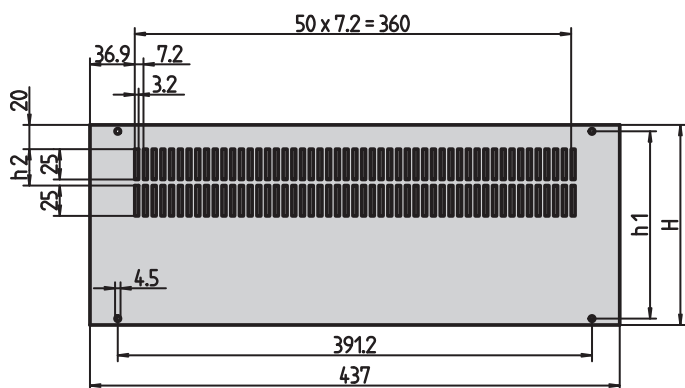
- Please order hinge for front panel separately

Hinge:



135485433

REAR PANEL WITH VENTILATION OPENINGS



IPA42086

DELIVERY COMPRISES (kit)

Item	Qty	Description
1	1	Rear panel, incl. assembly kit, Al, 2 mm, anodised, cut edges untreated

ORDER INFORMATION

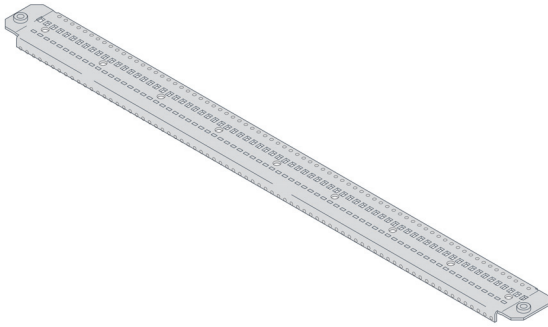
Height U	Height H mm	h1 mm	h2 mm	Part no.
2	76.0	65.6	–	30828-070
3	120.5	110.0	–	30828-073
4	165.0	154.5	–	30828-076
6	253.8	243.4	30	30828-082

Note

- The scope of delivery of the 19" chassis includes an assembly kit for the front panel

19" chassis – Inpac

SUPPORT RAIL FOR GUIDE RAILS



02121050

- 4 support rails to fix PCBs with guide rails
- Support rail can also be used to fix a custom mounting plate

DELIVERY INCLUDES

Item.	Qty	Description
1	4	Support rail, St 1,5 mm, AlZn, length 409 mm, usable width 75 HP (usable width 381 mm)
2	8	Screw, St, M4x8, Torx 20
3	1	User manual

ORDER INFORMATION

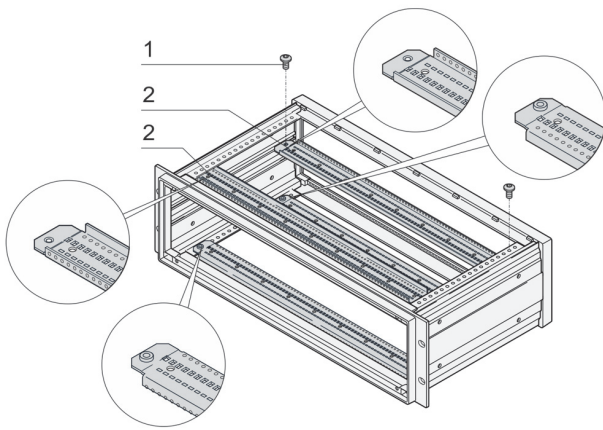
Description	Part no.
Support rail for guide rail monting, 75 HP	20828-130

Accessories

Guide rails, accessories, 160 mm deep PC, UL 94 V-0, red, groove width 2 mm, PU 10 pieces	24568-363
Guide rail, standard, 160 mm tief PC, UL-94-V0, red, groove width 2 mm, PU 10 pieces	24568-361
Torx panhead screw 2.5 x 9.3, zinc-plated, PU 100 pieces 2,5 x 9,3, St, zinc-plated Assembly part kit for guide rail	24560-141
ESD clip for guide rails Spring steel, tin-plated, silver, PU 50 pieces	24560-255

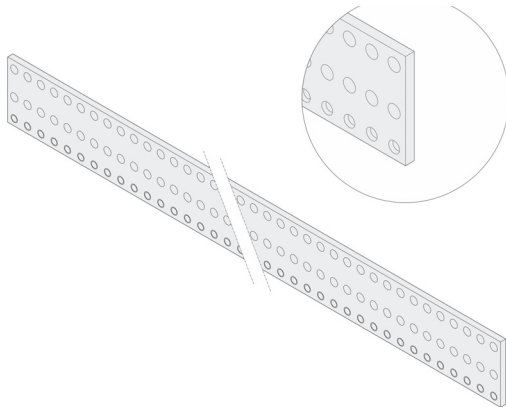
Recomendet product

Perforated Rail for Mounting of DIN Connectors EN 60603-2, DIN 41612, 75 HP, 2 pieces	20828-131
Threaded inserts, 75 HP, with thread M2.5, 2 pieces	20828-132



02121053

PERFORATED RAIL



02121051

- For Connector Mounting Accoring to DIN 4161

DELIVERY INCLUDES

Item.	Qty	Description
1	2	Threaded insert, perforated, St 1,5 mm, AlZn, 75 HP
2	1	User Manual

ORDER INFORMATION

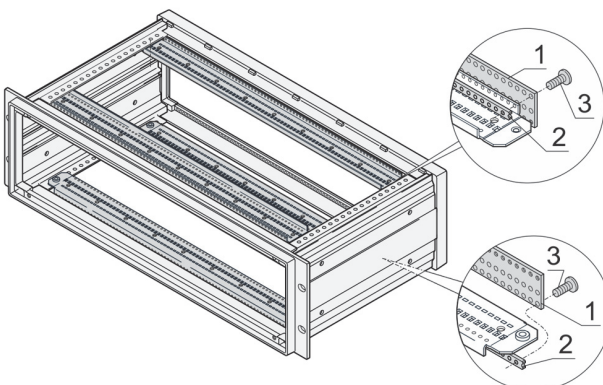
Item	Description	Part no.
1	Theaded insertt for mounting of DIN-connectors EN 60603-2, DIN 41612, 75 HP, 2 pieces	20828-131

Accessories

Torx panhead screw M2.5 x 7, St, nickel-plated, Torx 8 , tem 3	24560-147
--	------------------

Recommended products

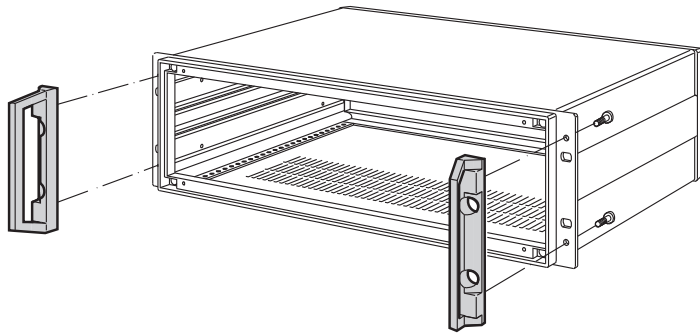
Gewindestreifen 75 HP with thred M2,5, 2 pieces ,item2	20828-132
--	------------------



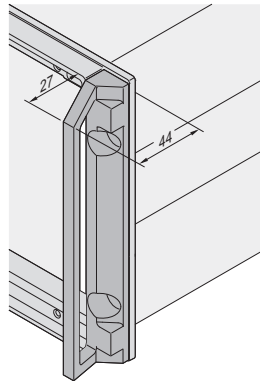
02121054

19" chassis – Inpac

FRONT HANDLES



IPA30636



02108050



- Load-carrying capacity 35 kg per pair

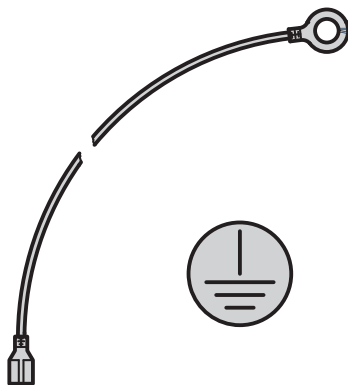
DELIVERY COMPRISES (kit)

Item	Qty	Description
1	2	Front handle, Al die-cast, powder-coated, RAL 7030, incl. assembly kit

ORDER INFORMATION

Height	Part no.
U	
3	20828-127
4	20828-128
6	20828-129

GND/EARTHING KIT



a2a43284

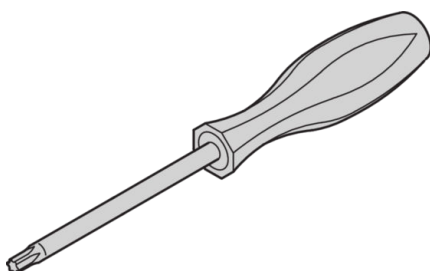
- The GND/earthing kit allows VDE-compliant earthing of the case to:
 - DIN EN 50178/VDE 0160
 - DIN EN 62368-1/VDE 0805
 - DIN EN 61010-1/VDE 0411 Part 1
 - DIN EN 61010-1A2/VDE 0411 Part 1/A
- VDE inspection has been carried out

ORDER INFORMATION

Description	Qty/PU	Part no.
GND/earthing kit, Cu wire, 1.5 mm ² , PVC sleeve, green/yellow, links side panels, top cover, base plate and rear panel	1	21100-814

ASSEMBLY TOOL

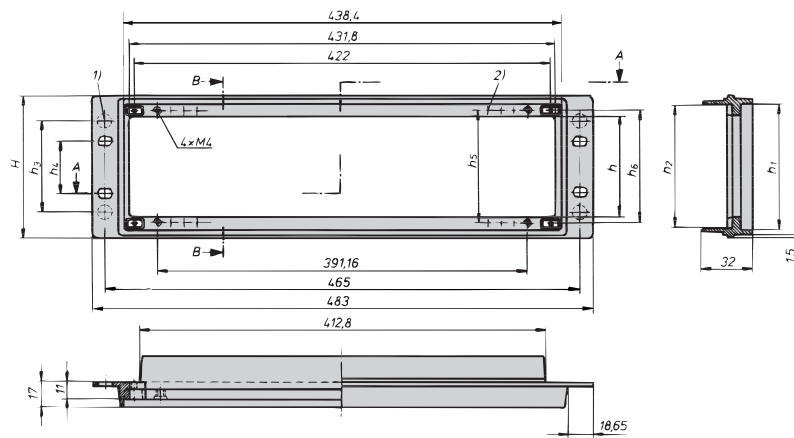
Description	Application	Dimension	Qty/PU	Part no.
Torx screwdriver	To fix the support rails	T20	1	64560-027



19" chassis – Inpac

DIMENSIONS

19" FRONT FRAME



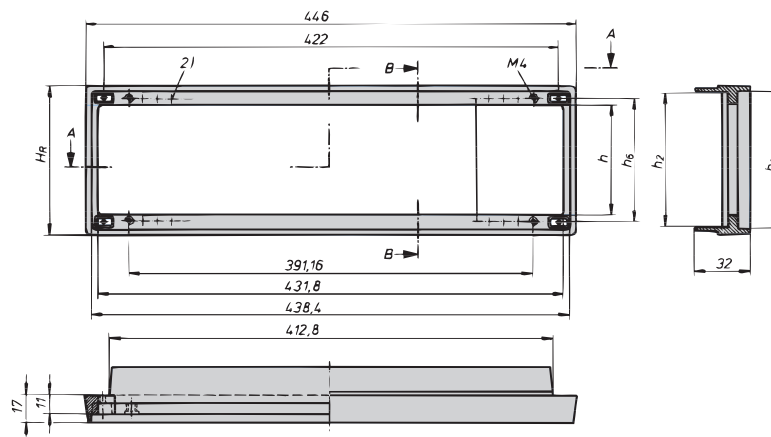
Section A-A

A3-306

There are counterbores at the rear side of the front frame which can be drilled if required:

- 1) For handle mounting
- 2) For mounting of partial-width front panel (grid 5.08 mm)

19" REAR FRAME



Section A-A

A3-305

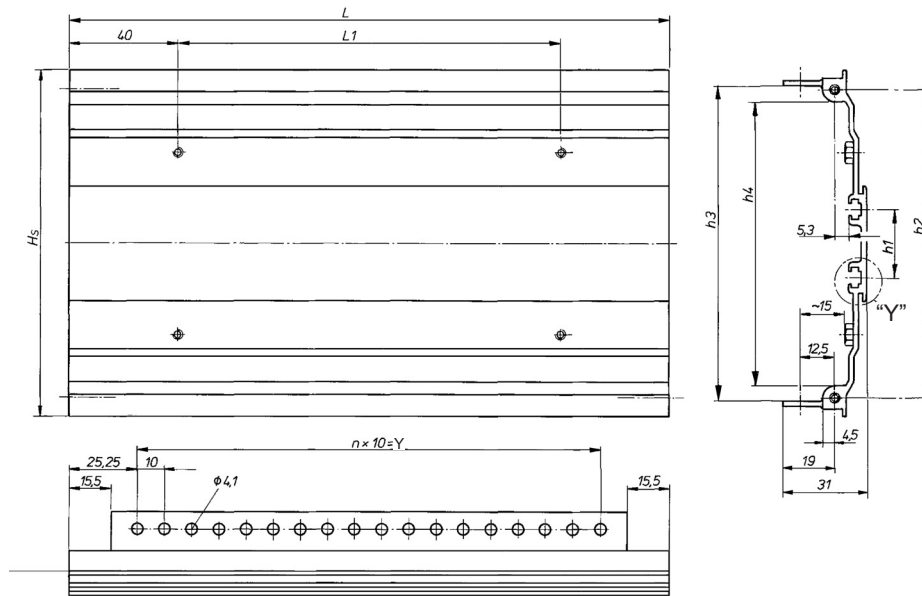
Dimensions table

Height in U	H	H _R	h	h ₁	h ₂	h ₃	h ₄	h ₅	h ₆	h ₇
2	88,0	86,0	57,5	77,3	69,8	25,0	76,2	65,5	68,0	68,4
3	132,5	130,5	102,5	121,8	114,3	90,0	57,1	110,0	112,5	112,8
4	177,0	175,0	146,5	166,3	158,8	134,5	101,6	154,5	157,0	157,3
6	265,9	263,9	235,4	255,2	247,7	233,4	190,4	243,4	245,9	245,9

19" chassis – Inpac

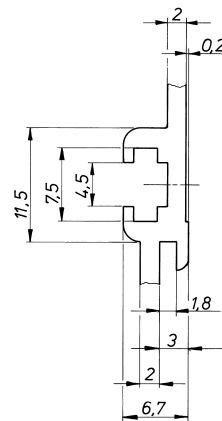
DIMENSIONS

SIDE PANEL



A3-304a

Detail "Y"



A3-304b

Dimensions table

Height in U	H	h ₁	h ₂	h ₃	h ₄	L	L ₁	(n)	Y	T
2	82,6	-	68,0	71,4	59,0	220,5	140,5	17,0	170	254,5
2	82,6	-	68,0	71,4	59,0	280,5	200,5	23,0	230	314,5
2	82,6	-	68,0	71,4	59,0	340,5	260,5	29,0	290	374,5
3	127,0	24,0	112,5	115,8	103,5	220,5	140,5	17,0	170	254,5
3	127,0	24,0	112,5	115,8	103,5	280,5	200,5	23,0	230	314,5
3	127,0	24,0	112,5	115,8	103,5	340,5	260,5	29,0	290	374,5
4	171,0	68,5	157,0	160,3	148,0	220,5	140,5	17,0	170	254,5
4	171,0	68,5	157,0	160,3	148,0	280,5	200,5	23,0	230	314,5
4	171,0	68,5	157,0	160,3	148,0	340,5	260,5	29,0	290	374,5
6	260,4	157,1	245,9	248,9	236,5	220,5	140,5	17,0	170	254,5
6	260,4	157,1	245,9	248,9	236,5	280,5	200,5	23,0	230	314,5
6	260,4	157,1	245,9	248,9	236,5	340,5	260,5	29,0	290	374,5

North America

Warwick, RI, USA

Tel +1.401.738.1722

San Diego, CA, USA

Tel +1.858.740.2400

Europe, Middle East & India

Straubenhardt, Germany

Tel +49 7082 794 0

Betschdorf, France

Tel +33 3 88 90 64 90

Warsaw, Poland

Tel +48 22 209 98 35

Hemel Hempstead,

Great Britain

Tel +44 1442 24 04 71

Lainate, Italy

Tel +39 02 932 714 1

Dubai, United Arab Emirates

Tel +971 4 82 38 666

Bangalore, India

Tel +91 80 6715 8900

Istanbul, Turkey

Tel +90 541 368 0941

Asia Pacific

Shanghai, China

Tel +86 21 2412 6943

Singapore

Tel +65 6768 5800

Shin-Yokohama, Japan

Tel +81 45 476 0271

Our powerful portfolio of brands:

CADDY ERICO HOFFMAN RAYCHEM SCHROFF TRACER



[nVent.com/SCHROFF](https://www.nVent.com/SCHROFF)