

CONNECT AND PROTECT

EuropacPRO Industrial Applications

12/2022


nvent

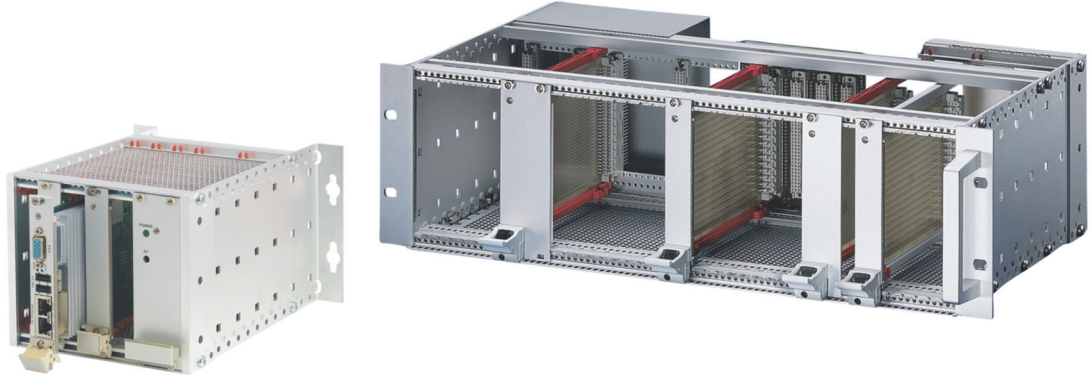
SCHROFF

Subracks – EuropacPRO for Industrial Applications

OVERVIEW

MAIN CATALOG

- Cabinets 1
- Wall mounted cases 2
- Accessories for cabinets and wall mounted cases . . 3
- Climate control . . 4
- Electronics cases 5
- Subracks/ 19" chassis 6
- Front panels, plug-in units 7
- Systems 8
- Power supply units 9
- Backplanes 10
- Connectors, front panel component system 11
- Appendix 12



06112008

We package your euroboards - even for applications in harsh industrial environments

- A wide range in different dimensions, with finishes for the most diverse applications
- In accordance with the IEC 60297-3-101 and IEEE 1101.1 standards
- Tested to IEC 61587, VG 95373 T15, EN 50155, BN 411002, NF F 67-012, NF F 60-002
- Delivered as a kit in space-saving package or individually assembled and fitted to your specifications

Applications



06112009

Subracks for mounting on mounting plate incl. connection field



06112010

Subracks with special adaptation

Subracks – EuropacPRO for Industrial Applications

OVERVIEW

Subrack for industrial applications

- Accommodates electronic boards in industrial applications
- Mounting frame for power distribution modules (connectors, RCD switches, ...)
- Bracket for panel mounting

Overview 6.86

Introduction 6.4

Subrack for wall mounting 6.88

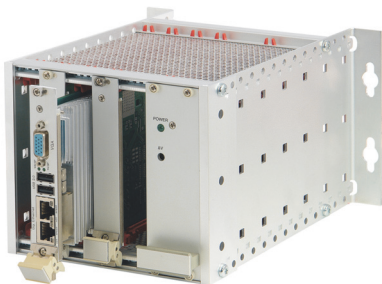
Module support 6.89

Bracket for panel mounting 6.90

Accessories 6.91

Application examples 6.85

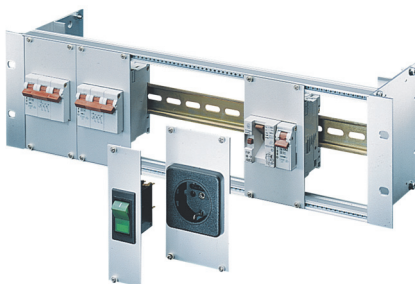
europacPRO 6.6
 Subracks for mobile railway applications 6.70
 europacPRO for rugged applications 6.92



06112002

Subrack for mounting on a mounting plate

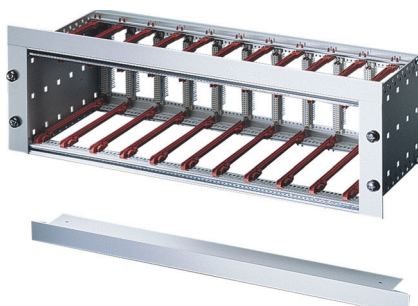
- Height 3 U, width 28 HP, depth 205 mm
- For mounting on mounting plate
- For direct mounting of backplanes or to fit DIN plugs, DIN 41612/ EN 60603-2



01494031

Module support

- Height 3 U, width 84 HP, depth 115 mm
- Power distribution modules to mount on lipped horizontal rail in accordance with DIN 43880



06197021

Bracket for mounting subracks in a panel

- Bracket widths 42 and 84 HP

Accessories

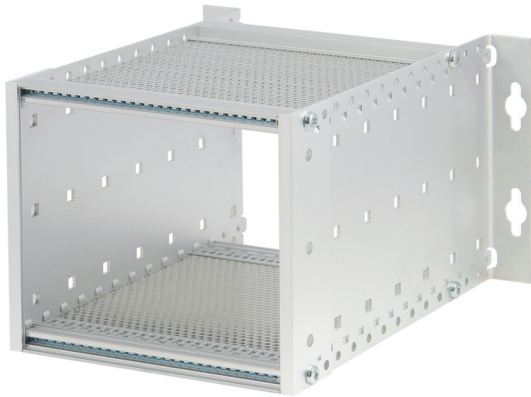
- Accessories (e.g. lipped rail adaptor, horizontal rails)

ServicePLUS

- e.g. modification (cut-outs)
- e.g. downloads (CAD drawings, user manuals, test reports)
- e.g. custom solutions (special depths, electromagnetically shielded applications)

Subracks – EuropacPRO for Industrial

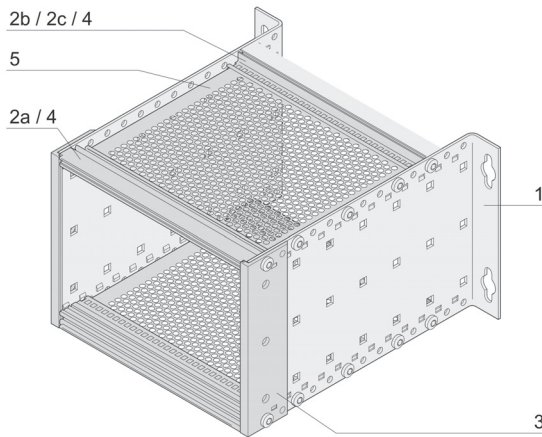
EUROPACPRO SUBRACK, UNSHIELDED



- Subrack to mount on the wall or on mounting plate
- For mounting of euroboards to IEC 60297-3-101 in size 3 U, 160 mm deep
- Versions
 - For connector mounting (DIN 41612, EN 60602-3)
 - For backplane mounting

DELIVERY COMPRISES

Item	Qty	Description
1	2	Side panel, 3 U, Al, 2 mm with integrated wall-mounting bracket
2a	2	Front horizontal rail (L-KD)
2b	2	Rear horizontal rail (L-RC) for backplane mounting
2c	2	Rear horizontal rail (L-MZ) for connector mounting
3	2	Rear angle
4	2/4	Threaded insert, St, zinc-plated
5	2	Cover plate for inserted in the groove of the horizontal rails
6	1	Fixing materials kit, user manual



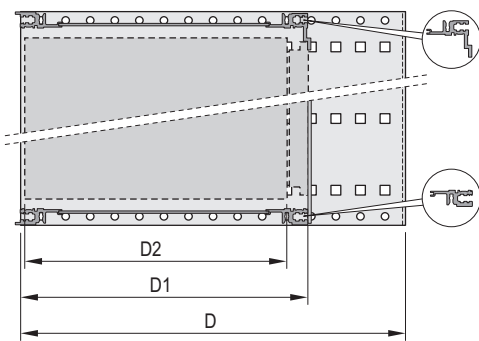
06112001

ORDER INFORMATION

Description	Height U	Width HP	Depth D mm	Depth D1 mm	Part no.
For connector mounting	3	28	205	175	24563-109
For direct backplane mounting	3	28	205	175	24563-107

Accessories

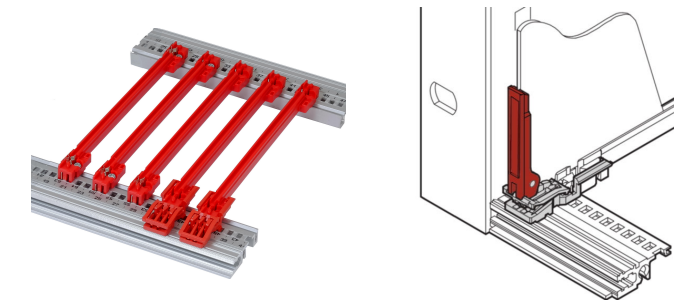
Guide rails, accessories, 160 mm deep, PC, UL 94 V-0, red, groove width 2 mm, PU 10 pieces	24568-363
ESD-Clip, PU 50 pieces	24560-255
Board locking C, red, PU 10 pieces	24560-377
Board handle C, red, PU 10 pieces	24560-378



06121050

Connector/backplane mounting;
D=overall depth, D1=insertion depth,
D2=board depth = D1 - 15 mm

06112051



Front panels	Page 7.5
Front panel with handle	Page 7.16

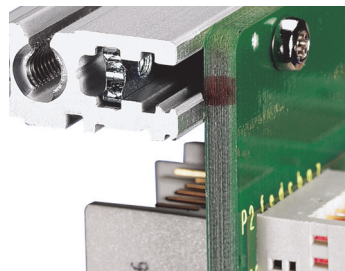
NOTE

- EMC version on request



Horizontal rail to rear for connector mounting

04400003



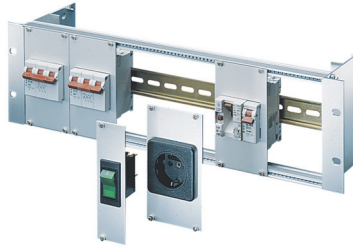
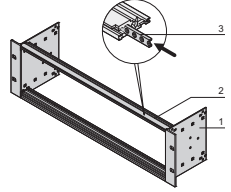

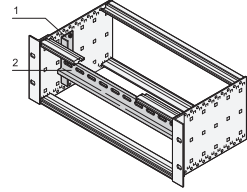

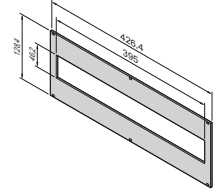
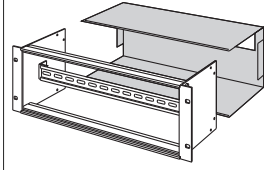
Horizontal rail to rear for direct backplane mounting

04400002

Subracks – EuropacPRO for Industrial

19" MODULE SUPPORT, SUPPORT RAIL TO DIN 43880, HOOD

ORDER INFORMATION

	19" module support to accommodate power distribution modules	Support rails to DIN 43880	Front panel for 19" module support	Hood
 <p>01494031</p>	 <p>bla43467</p>  <p>3 U, 84 HP, 115.5 mm deep; 2 side panels Al, 2 mm; 2 horizontal rails with short lip (L-KD), Al extrusion, surface anodised, contact surfaces conductive; 2 threaded inserts, St, zinc-plated; GND/earthing kit; fixing material kit;</p> <p>Please order support rail separately</p>	 <p>06105080</p>  <p>2 adaptor brackets, Al, 2 mm; support rail, St, zinc-plated, (35/7.5 mm); for width 84 HP (430.5 mm);</p> <p>Mounted in module support or subrack on the side panel</p>	 <p>06111053</p> <p>3 U, 84 HP, Al, 2.5 mm, front anodised, rear iridescent green chromated; GND/earth connection 6.3 mm FASTON; (cut-out 395 mm x 46.2 mm); two blanking plates, plastic, polyester, colour similar to RAL 7035; to cover unused module slots</p>	 <p>BLA43492</p> <p>Al, 1 mm, with brush strip; is bolted to the rear of the module support; GND/earthing kit</p>
	PU 1 kit 24563-100	PU 1 kit 24565-100	1 piece 24563-096	1 piece 24564-100

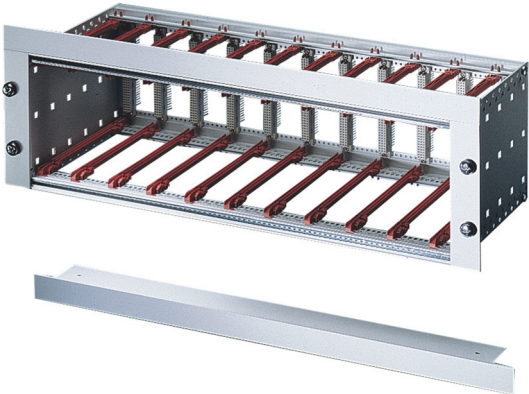
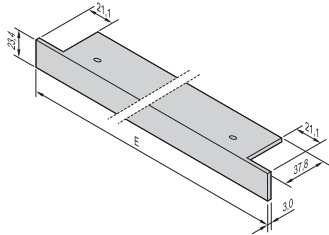
Accessories

- Power distribution modules see page 3.34

Subracks – EuropacPRO for Industrial

BRACKET FOR PANEL MOUNTING

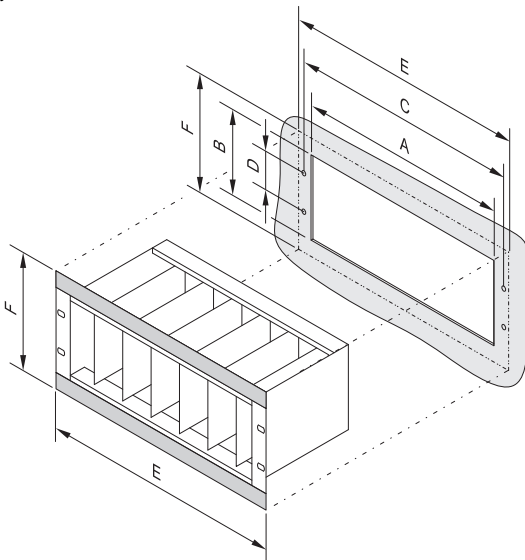
ORDER INFORMATION

		Bracket (mounting angle)
		 <p>Al extrusion, anodised; serves as front visual cover of subrack at top and bottom when fitted into a panel; screwed in from the front with the horizontal rail; 2 brackets and 4 screws are required per subrack</p>
Usable width HP	Length mm	1 piece
42	269.2	34561-777
84	482.6	34561-779
Torx panhead screw 2.5 x 9.3, zinc-plated, PU 100 pieces		24560-141

NOTE

- Further widths available on request

Assembly cut-out



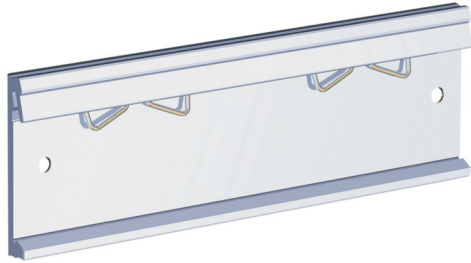
Dimensions table

	Usable width (HP)	Length (mm)
3	42	237.0	145.0	252.0	57.15	269.2	179.4
3	63	343.0	145.0	358.5	57.15	375.9	179.4
3	84	450.0	145.0	465.0	57.15	482.6	179.4
6	42	237.0	278.5	252.0	190.5	269.2	312.7
6	63	343.0	278.5	358.5	190.5	375.9	312.7
6	84	450.0	278.5	465.0	190.5	482.6	312.7

Subracks – EuropacPRO for Industrial

ADAPTOR FOR HORIZONTAL RAIL MOUNTING

- For mounting e.g. small subracks, small wall mounted cases, frame type plug-in units or PSUs on a horizontal rail with lip
- Adaptor is bolted to the desired product and can then be clipped to the lipped horizontal rail (DIN 43880)



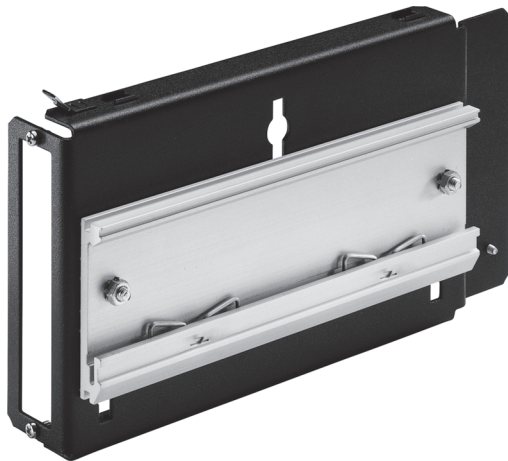
DELIVERY COMPRISES

Item	Qty	Description
1	1	Adaptor, Al extrusion, length 160 mm
1	1	Assembly kit

ORDER INFORMATION

Description	Part no.
Adaptor for horizontal rail mounting	11000-002

04812021



Example: Lipped horizontal rail adaptor for 19" PSU

11395007

North America

Warwick, RI, USA

Tel +1.401.738.1722

San Diego, CA, USA

Tel +1.858.740.2400

Europe, Middle East & India

Straubenhardt, Germany

Tel +49 7082 794 0

Betschdorf, France

Tel +33 3 88 90 64 90

Warsaw, Poland

Tel +48 22 209 98 35

Hemel Hempstead,

Great Britain

Tel +44 1442 24 04 71

Lainate, Italy

Tel +39 02 932 714 1

Dubai, United Arab Emirates

Tel +971 4 82 38 666

Bangalore, India

Tel +91 80 6715 8900

Istanbul, Turkey

Tel +90 541 368 0941

Asia Pacific

Shanghai, China

Tel +86 21 2412 6943

Singapore

Tel +65 6768 5800

Shin-Yokohama, Japan

Tel +81 45 476 0271

Our powerful portfolio of brands:

CADDY ERICO HOFFMAN RAYCHEM SCHROFF TRACER



[nVent.com/SCHROFF](https://www.nvent.com/SCHROFF)