

Acoustical Tee Bar Clips

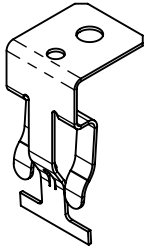


Fig. 1

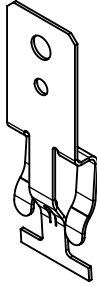


Fig. 2

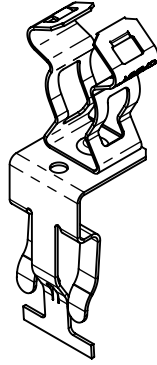


Fig. 3

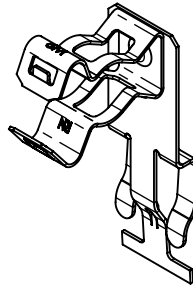


Fig. 4

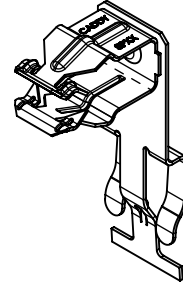


Fig. 5

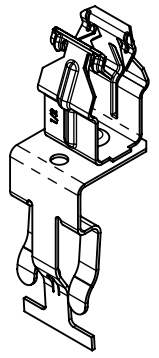


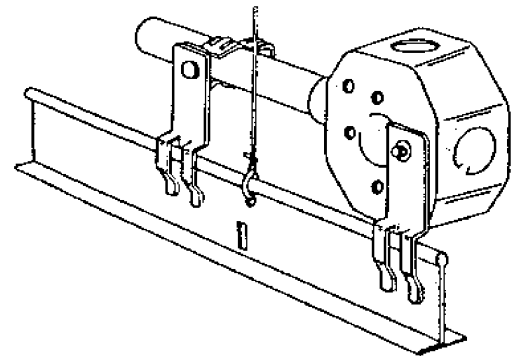
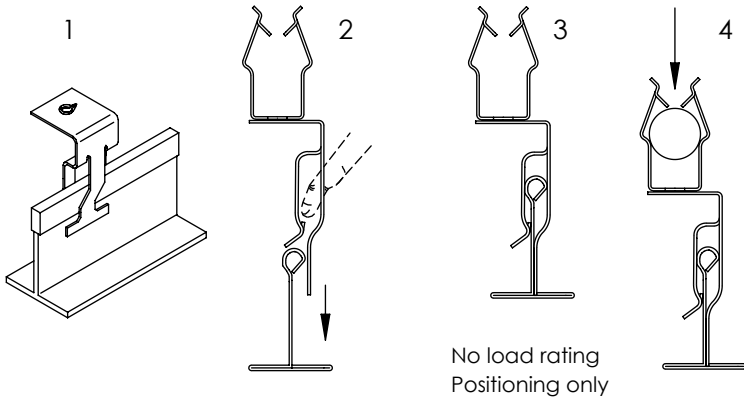
Fig. 6

Installation

Provides a positive means of supporting conduit boxes above acoustical tee-bar.

1. Place inverted "T" tab against acoustical "Tee Bar" as shown.
2. Push curved tabs back over on opposite side of "Tee Bar" as indicated by arrows.
3. Push firmly down on clip. Make sure clip is all the way down on "Tee Bar" and lock tab is under top of "Tee Bar".
4. Push conduit in.

Part No.	Article No.	Fig. No.	Description
ATA4I	170400	1	"AT" clip, top mount with 1/4"-20 thread impression
ATS4I	170420	2	"AT" clip, side mount with 1/4"-20 thread impression
6MATA	N/A	3	"AT" clip with top mounted conduit clip for 3/8" conduit
812MATA	177190	3	"AT" clip with top mounted conduit clip for 1/2" - 3/4" conduit
8PATA	N/A	6	"AT" clip with top mounted conduit clip for 1/2" conduit
12PATA	N/A	6	"AT" clip with top mounted conduit clip for 3/4" conduit
16MATA	N/A	3	"AT" clip with top mounted conduit clip for 3/4"-1" conduit
16PATA	N/A	6	"AT" clip with top mounted conduit clip for 1" conduit
6MATS	N/A	4	"AT" clip with side mounted conduit clip for 3/8" conduit
812MATS	177200	4	"AT" clip with side mounted conduit clip for 1/2" - 3/4" conduit
8PATS	N/A	5	"AT" clip with side mounted conduit clip for 1/2" conduit
12PATS	N/A	5	"AT" clip with mounted conduit clips for 3/4" conduit
16MATS	N/A	4	"AT" clip with mounted conduit clips for 3/4"-1" conduit
16PATS	N/A	5	"AT" clip with mounted conduit clips for 1" conduit



WARNING:

1. nVent products shall be installed and used only as indicated in nVent product instruction sheets and training materials. Instruction sheets are available at www.nVent.com and from your nVent customer service representative.
2. nVent products must never be used for a purpose other than the purpose for which they were designed or in a manner that exceeds specified load ratings.
3. All instructions must be **completely** followed to ensure proper and safe installation and performance.
4. Improper installation, misuse, misapplication or other failure to completely follow nVent's instructions and warnings may cause product malfunction, property damage, serious bodily injury and/or death, and void your warranty.
5. Products that are manufactured using spring steel components shall be used only in a non-corrosive indoor environment.
6. All pipe supports, hangers, intermediate components and structural attachments must **ONLY** be used as described herein and are **NEVER** to be used for any other purpose.

NOTE: All load ratings are for static conditions and do not account for dynamic loading such as wind, water or seismic loads, unless otherwise noted.

The customer is responsible for:

- a. Conformance to all governing codes.
- b. The integrity of structures to which the products are attached, including their capability of safely accepting the loads imposed, as evaluated by a qualified engineer.
- c. Using appropriate industry standard hardware as noted above.

SAFETY INSTRUCTIONS:

All governing codes and regulations and those required by the job site must be observed. Always use appropriate safety equipment such as eye protection, hard hat, and gloves as appropriate to the application.

nVent, nVent CADDY, nVent ERICO Cadweld, nVent ERICO Critec, nVent ERICO, nVent ERIFLEX, and nVent LENTON are owned by nVent or its global affiliates. All other trademarks are the property of their respective owners. nVent reserves the right to change specifications without prior notice.



TECHNICAL SUPPORT:
www.nVent.com

CFS119_F

1 OF 2

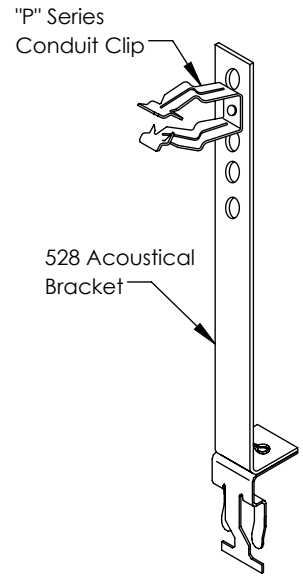
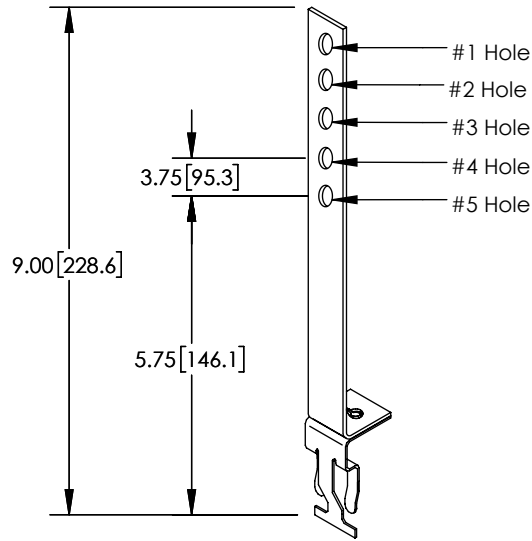
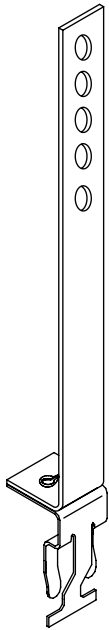
© 1998 - 2021 nVent All Rights Reserved



DFN Clip 528 Series

Ordering information		
Bracket Catalog No.	Conduit Size	Hole Position

Example:
Mounting 3/4" EMT in 2nd
hole location.
Order 528-12P-2

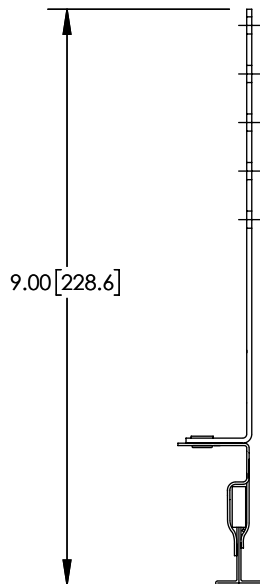
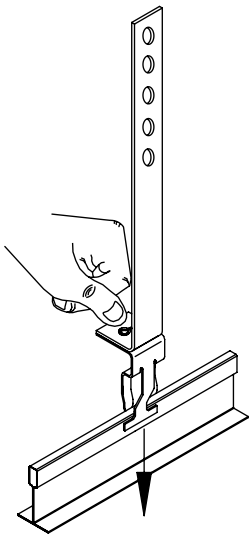


528-12P-2 Shown

Part No.	Conduit Size	Box Quantity
528	-	50
5288P	1/2" EMT	25
52812P	3/4" EMT	
52816P	1" EMT	

Installation

1. Place inverted "T" tab against acoustical "Tee Bar".
2. Push curved tabs back over on opposite side of "Tee Bar" and push down.



Application

