

nVent CADDY Vertical Flange Clips

Sizing Chart

Part Number	Article Number	Fig.	Vertical Flange Thickness (in. [mm])	Rod or Hole Size (in. [mm])	F (lbs. [N])
J1	170370	1	1/16 - 5/32 [1.5 - 4]	0.27 [7.0mm] Hole	160 [700]
	172440				
J2	171590	2	3/16 - 1/4 [4 - 6.5]		
J1M6TI	174870	4	1/16 - 5/32 [1.5 - 4]	M6 Threaded Rod	
J1M8TI	174960			M8 Threaded Rod	
J1M10TI	175050			M10 Threaded Rod	
	191042				
J1T10	160220		1/16 - 5/32 [1.5 - 4]	* 3/8" or M10 Threaded Rod	
J2M6TI	174880	5	3/16 - 1/4 [4 - 6.5]	M6 Threaded Rod	
J2M8TI	174970			M8 Threaded Rod	
J2M10TI	175060			M10 Threaded Rod	
M10MAJ2	173400	6		M10 Threaded Rod	
J1M6QTI	174881	3	1/16 - 5/32 [1.5 - 4]	M6 Threaded Rod	[330N]
J2M6QTI	174882		3/16 - 1/4 [4 - 6.5]	**Push-to-install	

Made from Spring Steel

* Nuts required

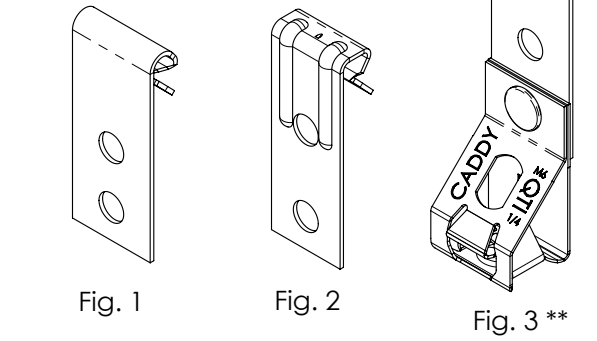


Fig. 1

Fig. 2

Fig. 3 **

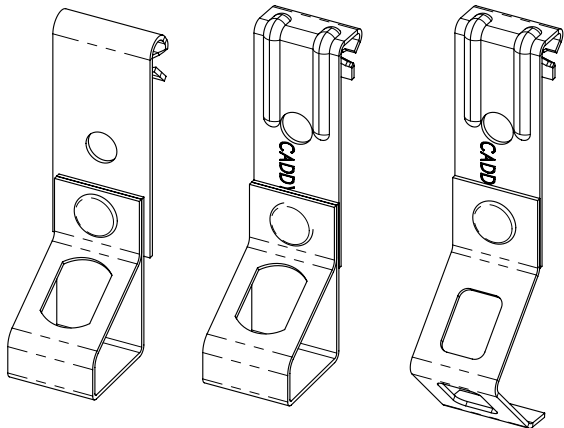
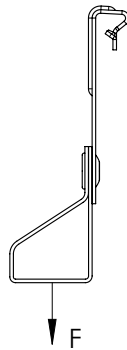


Fig. 4

Fig. 5

Fig. 6



CAUTION NOTES:

1. Fastener will support only vertical loads.
2. Install on structures that are perpendicular to the floor.
3. Tap, do not pound the fastener onto the vertical flange.
4. Do not side load the fastener.

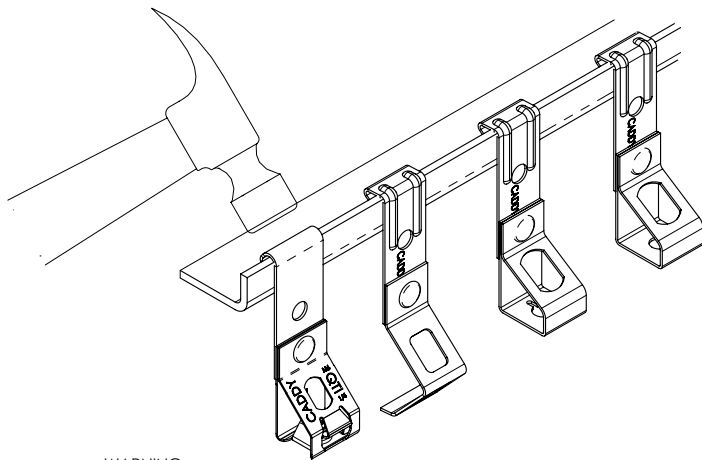
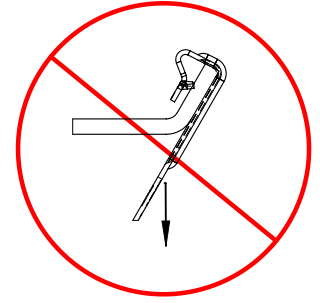
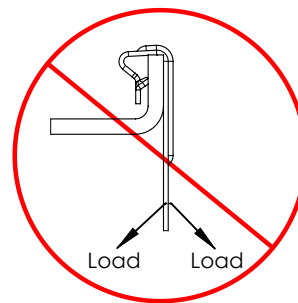
Failure to comply with the above may damage or break the fastener.

Installation: (See CAUTION NOTES above)

- A. Select fastener for flange width and desired application (see sizing chart).
- B. Place clip on top edge of flange.
- C. With hammer tap fastener on top to seat it onto flange.
- D. Check installation to be sure it is secure and fastener has not been damaged.
- E. For installation and adjustment of M6QTI (Fig. 3) See Page 2

Notes 1 & 4

Notes 1 & 2



WARNING:

1. nVent products shall be installed and used only as indicated in nVent product instruction sheets and training materials. Instruction sheets are available at www.nVent.com and from your nVent customer service representative.
2. nVent products must never be used for a purpose other than the purpose for which they were designed or in a manner that exceeds specified load ratings.
3. All instructions must be completely followed to ensure proper and safe installation and performance.
4. Improper installation, misuse, misapplication or other failure to completely follow nVent's instructions and warnings may cause product malfunction, property damage, serious bodily injury and/or death, and void your warranty.
5. Products that are manufactured using spring steel components shall be used only in a non-corrosive indoor environment.
6. All pipe supports, hangers, intermediate components and structural attachments must ONLY be used as described herein and are NEVER to be used for any other purpose.

NOTE: All load ratings are for static conditions and do not account for dynamic loading such as wind, water or seismic loads, unless otherwise noted.

The customer is responsible for:

- a. Conformance to all governing codes.
- b. The integrity of structures to which the products are attached, including their capability of safely accepting the loads imposed, as evaluated by a qualified engineer.
- c. Using appropriate industry standard hardware as noted above.

SAFETY INSTRUCTIONS:

All governing codes and regulations and those required by the job site must be observed. Always use appropriate safety equipment such as eye protection, hard hat, and gloves as appropriate to the application.

nVent, nVent CADDY, nVent ERICO Cadweld, nVent ERICO Critec, nVent ERICO, nVent ERIFLEX, and nVent LENTON are owned by nVent or its global affiliates. All other trademarks are the property of their respective owners. nVent reserves the right to change specifications without prior notice.

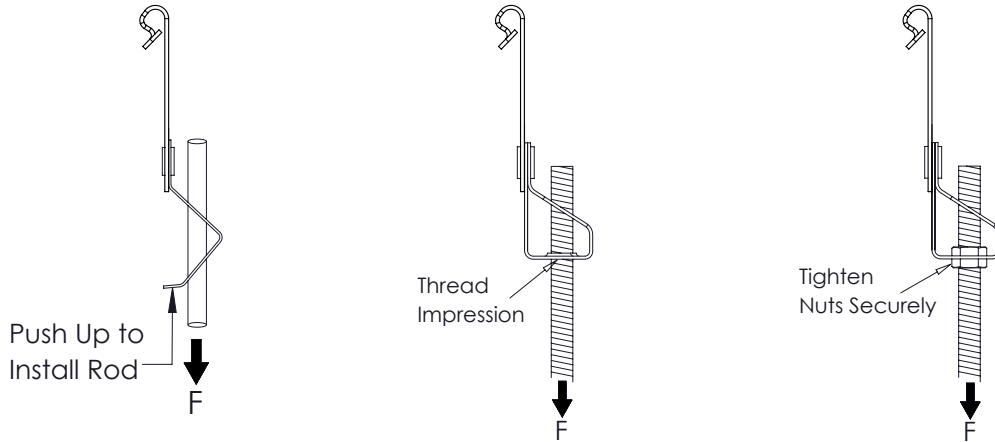
TECHNICAL SUPPORT:
www.nVent.com

CFS124_D

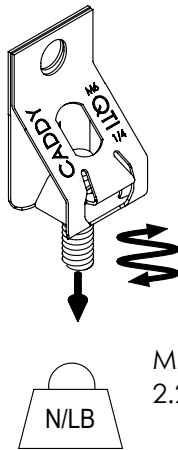
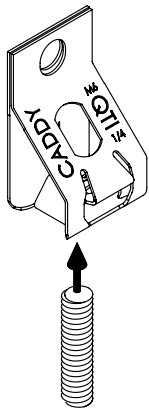
1 OF 2

© 1998-2020 nVent All Rights Reserved

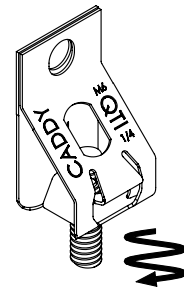




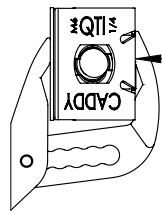
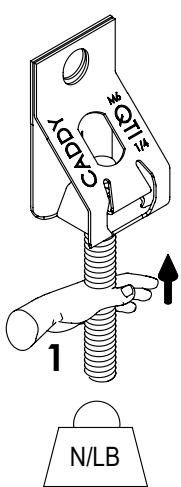
M6QTI INSTALLATION AND ADJUSTMENT



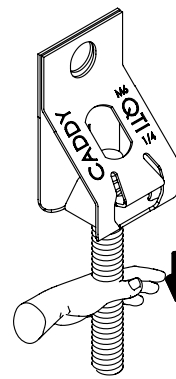
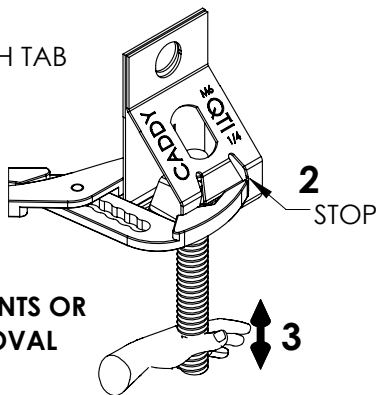
MAX TORQUE
2.25Nm



**REMOVAL
OPTION 1**



**LARGE ADJUSTMENTS OR
OPTION 2 REMOVAL**



4 CHECK

