

Hammer-On Rod Hangers

SIZING CHART

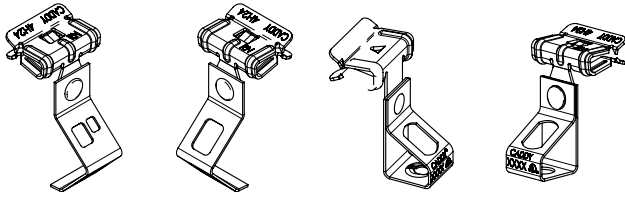


Fig. 1 Fig. 2 Fig. 3 Fig. 4

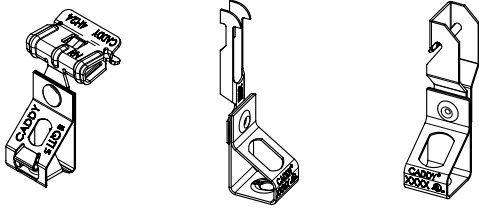
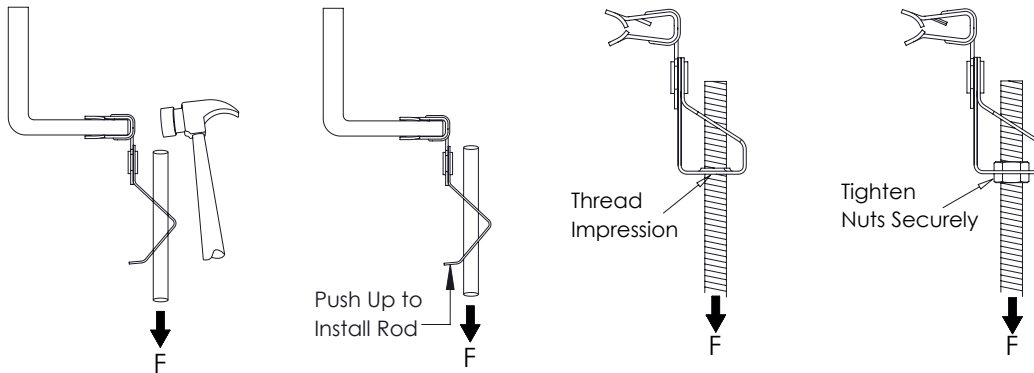


Fig. 5 ** Fig. 6 Fig. 7

Part Number	Article Number	Fig.	Flange Thickness (in. [mm])	Rod Size (in. [mm])	F (lbs. [N])	
70824	N/A	1	1/8 - 1/4 [3 - 6]	#8 Wire or 1/4" Plain Rod	200 [900]	
70858			5/16 - 1/2 [8 - 13]			
708912			9/16 - 3/4 [14 - 19]			
6A24	N/A	2	1/8 - 1/4 [3 - 6]	3/8" Plain Rod		
6A58			5/16 - 1/2 [8 - 13]			
6A912			9/16 - 3/4 [14 - 19]			
4TI24	N/A	3	1/8 - 1/4 [3 - 6]	1/4" Threaded Rod		
4TI58			5/16 - 1/2 [8 - 13]			
4TI912			9/16 - 3/4 [14 - 19]			
6TI24	N/A	4	1/8 - 1/4 [3 - 6]	3/8" Threaded Rod		
6TI58			5/16 - 1/2 [8 - 13]			
6TI912			9/16 - 3/4 [14 - 19]			
M6TI4	174810	3	[2 - 3]	M6 Threaded Rod	160 [700]	
M6TI24	174820		1/8 - 1/4 [3 - 6]		200 [900]	
	191024					
M6TI58	174830	3	5/16 - 1/2 [8 - 13]	M8 Threaded Rod	160 [700]	
	191025					
M8TI4	174900		9/16 - 3/4 [14 - 19]		200 [900]	
M8TI24	174910	3	1/8 - 1/4 [3 - 6]	M8 Threaded Rod	200 [900]	
M8TI58	174920		5/16 - 1/2 [8 - 13]			
M8TI912	174930		9/16 - 3/4 [14 - 19]			
M10TI24	175000	3	1/8 - 1/4 [3 - 6]	M10 Threaded Rod	200 [900]	
M10TI58	175010		5/16 - 1/2 [8 - 13]			
M10TI912	175020		9/16 - 3/4 [14 - 19]			
6TA24	N/A	4	1/8 - 1/4 [3 - 6]	* Plain Hole For 1/4" [M6] or 3/8" [M10] Threaded Rod	200 [900]	
6TA58	N/A		5/16 - 1/2 [8 - 13]			
6TA912	N/A		9/16 - 3/4 [14 - 19]			
T1058	160020	4	5/16 - 1/2 [8 - 13]	* M10 Threaded Rod		
4QT14	174842		5	9/16 - 3/4 [14 - 19]	1/4" or M6 Threaded Rod **Push To install	75 [330]
4QT124	174841			1/8 - 1/4 [3 - 6]		
4QT158	174843	5/16 - 1/2 [8 - 13]				
4QT1912	174844	9/16 - 3/4 [14 - 19]				
EERTIM6	173120	6	[0.8 - 2], [2 - 3]	M6 Threaded Rod	Deck [0.8 - 2]	
EERTIM8	173130			M8 Threaded Rod	100 [450]	
EERTIM10	173140			M10 Threaded Rod	Deck [2 - 3]	
EERT10	160250			M10 Plain Rod	200 [900]	
122M6TI	174890			M6 Threaded Rod		
122M8TI	174980	7	[2.8]	M8 Threaded Rod	100 [450]	
122M10TI	175070			M10 Threaded Rod		
122T10	160240			M10 Plain Rod		

Made from Spring Steel

* Nuts required



WARNING:

- nVent products shall be installed and used only as indicated in nVent product instruction sheets and training materials. Instruction sheets are available at www.nVent.com and from your nVent customer service representative.
- nVent products must never be used for a purpose other than the purpose for which they were designed or in a manner that exceeds specified load ratings.
- All instructions must be completely followed to ensure proper and safe installation and performance.
- Improper installation, misuse, misapplication or other failure to completely follow nVent's instructions and warnings may cause product malfunction, property damage, serious bodily injury and/or death, and void your warranty.
- Products that are manufactured using spring steel components shall be used only in a non-corrosive indoor environment.
- All pipe supports, hangers, intermediate components and structural attachments must ONLY be used as described herein and are NEVER to be used for any other purpose.

NOTE: All load ratings are for static conditions and do not account for dynamic loading such as wind, water or seismic loads, unless otherwise noted.

The customer is responsible for:

- Conformance to all governing codes.
- The integrity of structures to which the products are attached, including their capability of safely accepting the loads imposed, as evaluated by a qualified engineer.
- Using appropriate industry standard hardware as noted above.

SAFETY INSTRUCTIONS:

All governing codes and regulations and those required by the job site must be observed. Always use appropriate safety equipment such as eye protection, hard hat, and gloves as appropriate to the application.

nVent, nVent CADDY, nVent ERICO Cadweld, nVent ERICO Critec, nVent ERICO, nVent ERIFLEX, and nVent LENTON are owned by nVent or its global affiliates. All other trademarks are the property of their respective owners. nVent reserves the right to change specifications without prior notice.

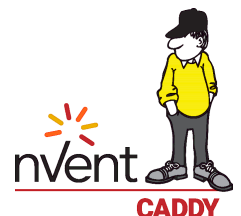


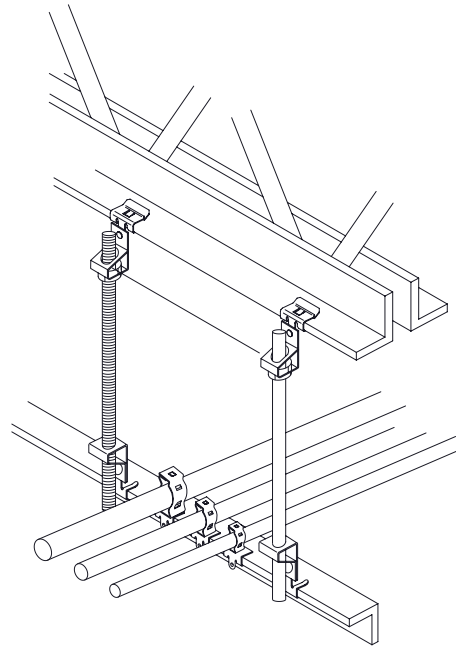
TECHNICAL SUPPORT:
www.nVent.com

CFS137_F

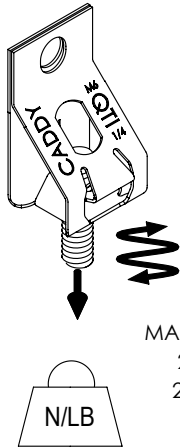
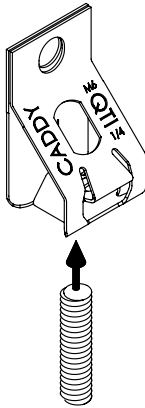
1 OF 2

© 1998-2020 nVent All Rights Reserved

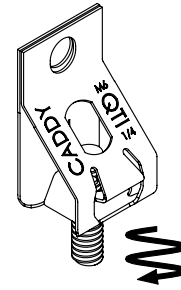




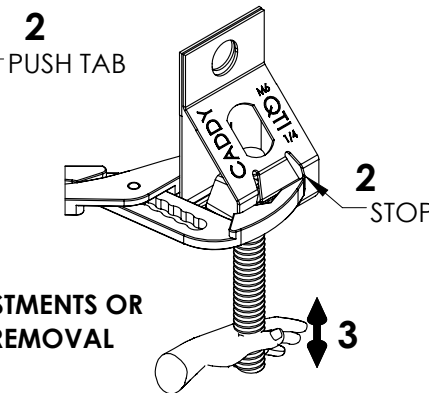
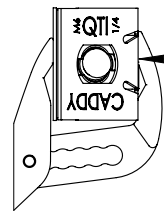
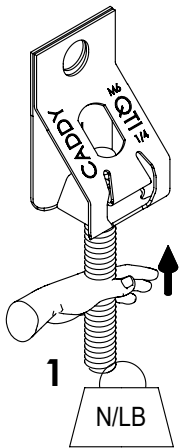
4QTI INSTALLATION AND ADJUSTMENT



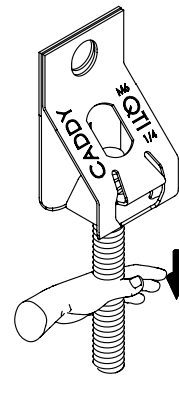
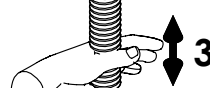
MAX TORQUE
20 in-lb
2.25 Nm



**REMOVAL
OPTION 1**



**LARGE ADJUSTMENTS OR
OPTION 2 REMOVAL**



4 CHECK

