

MFA625 and MFA4I Clip-On Strut Nut

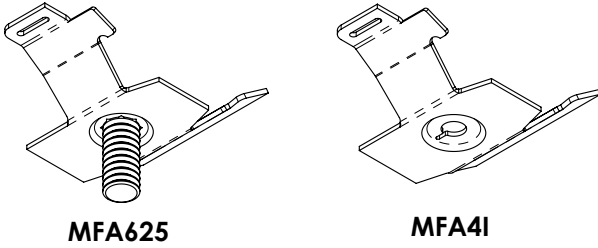
For supporting light fixtures and panel boxes from strut.

Sizing Chart

Part No.	Description
MFA4I	1/4"-20 Thread Impression
MFA625	1/4"-20 x 5/8" Stud

Application

1. Static load limit 100 lbs. with strut in horizontal position.
2. Ultimate static load 50 lbs. in vertical position.

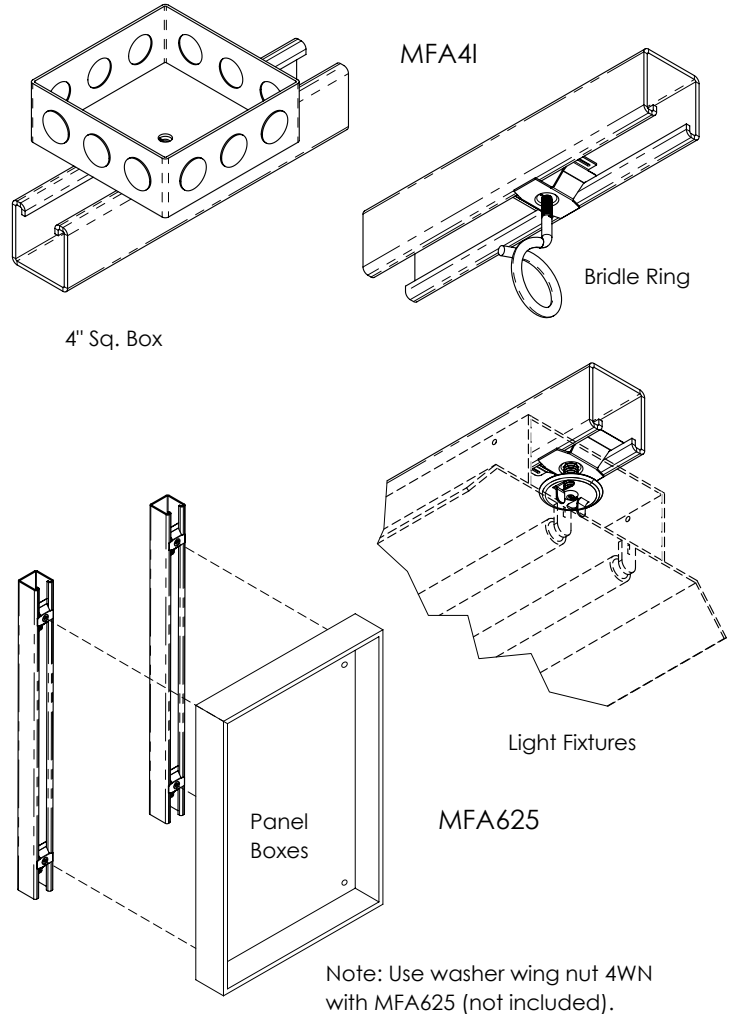
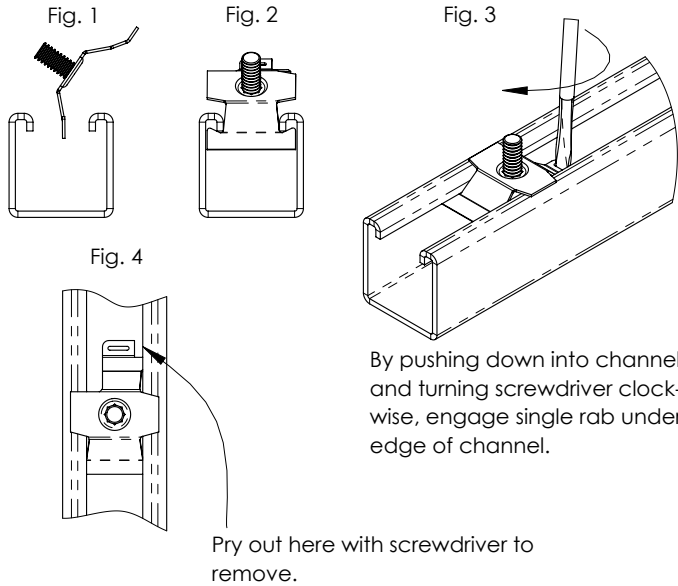


MFA625

MFA4I

Installation

1. Fig. 1: Insert double tab end of clip between edges of channel.
2. Fig. 2: Rotate clip and engage double tabs under rolled edge of channel.
3. Fig. 3: Position clip as in fig. 3 and push single tab end to the left so tab clears edge of framing. Hold and place screwdriver in slot, vertical to channel.
4. Fig. 4: Clip is now in place, make sure all three tabs are fully engaged. To remove follow reverse procedure, or pry out with screwdriver as indicated on fig. 4.



WARNING:

1. nVent products shall be installed and used only as indicated in nVent product instruction sheets and training materials. Instruction sheets are available at www.nVent.com and from your nVent customer service representative.
2. nVent products must never be used for a purpose other than the purpose for which they were designed or in a manner that exceeds specified load ratings.
3. All instructions must be completely followed to ensure proper and safe installation and performance.
4. Improper installation, misuse, misapplication or other failure to completely follow nVent's instructions and warnings may cause product malfunction, property damage, serious bodily injury and/or death, and void your warranty.
5. Products that are manufactured using spring steel components shall be used only in a non-corrosive indoor environment.
6. All pipe supports, hangers, intermediate components and structural attachments must ONLY be used as described herein and are NEVER to be used for any other purpose.

NOTE: All load ratings are for static conditions and do not account for dynamic loading such as wind, water or seismic loads, unless otherwise noted.

The customer is responsible for:

- a. Conformance to all governing codes.
- b. The integrity of structures to which the products are attached, including their capability of safely accepting the loads imposed, as evaluated by a qualified engineer.
- c. Using appropriate industry standard hardware as noted above.

SAFETY INSTRUCTIONS:

All governing codes and regulations and those required by the job site must be observed. Always use appropriate safety equipment such as eye protection, hard hat, and gloves as appropriate to the application.

nVent, nVent CADDY, nVent ERICO Cadweld, nVent ERICO Critec, nVent ERICO, nVent ERIFLEX, and nVent LENTON are owned by nVent or its global affiliates. All other trademarks are the property of their respective owners. nVent reserves the right to change specifications without prior notice.

TECHNICAL SUPPORT:
www.nVent.com

CFS161_B

1 OF 1

© 1998-2019 nVent All Rights Reserved

