

DECK HANGER AND PUNCH

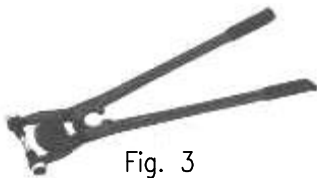


Fig. 3

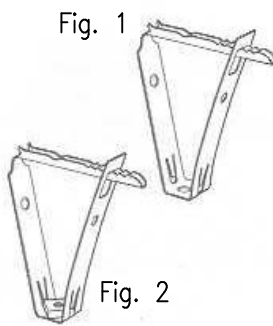
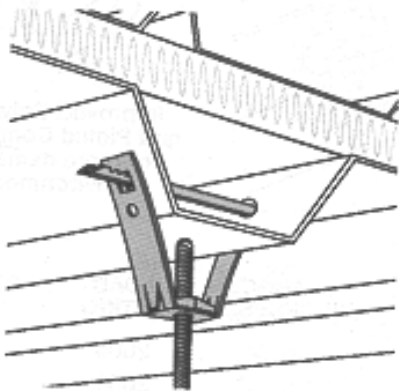


Fig. 1

Fig. 2



1. Punch hole using TDHP or drill per drawing.
2. Insert clip, be certain to capture notch on hole.
3. Insert threaded rod.

When using nut:

Insert nut locking corners as shown in the drawing.

TDHP PROFILE PUNCH

Easy one-step operation.

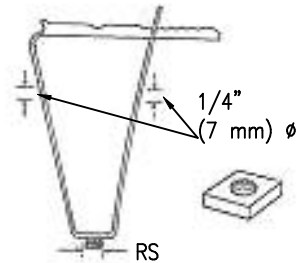
- Preset dimensions
- No secondary power source required.



| PART NO. | FIG | RS |
|----------|-----|-----------------------------------|
| TDH | 1 | 3/8" |
| TDHT4 | 2 | 1/4" - 20 NUT |
| TDHT6 | 2 | 3/8" - 16 NUT |
| TDHP | 3 | DECK HANGER PUNCH |
| TDHPDR10 | | PUNCH TIP REPLACEMENT (NOT SHOWN) |

Features:

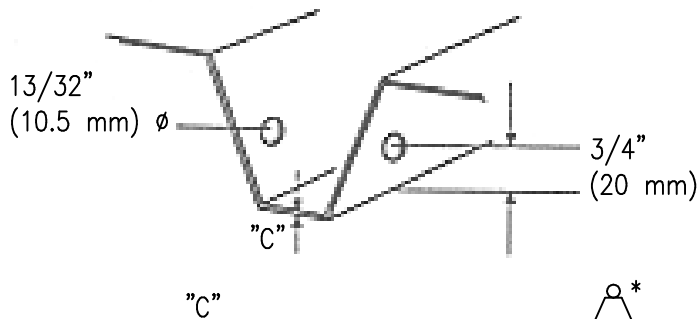
- Minimum roof decking sheet thickness 24 gauge.
 - Maximum trapeze width 2" (50 mm)
 - 1/4" or 3/8" square section nut or 3/8" (10 mm) clearance hole.
 - Mechanical galvanized zinc finish.
- NOTE: NOT FOR USE WITH CEILING FANS.




Max. 2" (50 mm)



Max. 2" (50 mm)



| "C" | | *  | | |
|---------------|-----------|-----------------------------------------------------------------------------------------|------|------|
| IN | mm | GAUGE | Lbs. | kN. |
| 0.025-0.0276 | 0.63-0.70 | 24 | 130 | 0.60 |
| 0.0276-0.0315 | 0.70-0.80 | 23 | 150 | 0.70 |
| 0.0315-0.0394 | 0.80-1.00 | 22 | 180 | 0.80 |
| 0.0394 | 1.00 | 19 | 200 | 0.90 |

*Applies to vertical suspension from decking thickness (C)
Check with deck manufacturer for recommended load capacity.

WARNING:

1. Caddy® Fasteners that are manufactured using spring steel components may be used only in a non-corrosive indoor environment. Only non-spring steel fasteners that have protective coatings may be used otherwise, as specified.
2. Fasteners must be used only in the manner depicted in the illustrations that accompany it and must not exceed static load ratings noted.
3. Fasteners are designed for use with a variety of industry standard building materials, structural shapes, and mechanical components. For the fastener to work properly, these items must meet the appropriate industry standards. (Examples: ANSI, AISC, AISI)
4. The buyer and/or installer is responsible for:
 - a. Application in conformance to local codes.
 - b. The integrity of structures to which the fasteners is attached, including their capability of safely accepting the loads imposed, as evaluated by a qualified engineer.
 - c. Using appropriate industry standard hardware as noted above.
5. Failure to observe these specifications may cause product malfunction resulting in property damage or bodily injury. ERICO Products at the time of shipment are warranted to conform to any applicable written description furnished to the Buyer by ERICO, and to be free from defects in material and workmanship. NO OTHER WARRANTY, WHETHER EXPRESS OR IMPLIED, (INCLUDING ANY WARRANTY OF MERCHANTABILITY OR FITNESS), SHALL EXIST IN CONNECTION WITH THE SALE OR USE OF ANY ERICO PRODUCT.

SAFETY INSTRUCTIONS: All safety regulations required by the job site must be observed. Special attention should be given to the following instructions. While working or on the job site:

1. Observe all Federal and local safety regulations.
2. Wear safety glasses with side shields.
3. Be aware of personnel working above and below.
4. Wear a hard hat.
5. Wear gloves to avoid splinters and cuts.
6. When working above ground level, be sure the structure will support your weight.



TECHNICAL SUPPORT PHONE:
(800) 25-CADDY
(1-800-252-2339)
www.erico.com

CFS257B

© 2002 ERICO, INC. PRINTED IN U.S.A.

