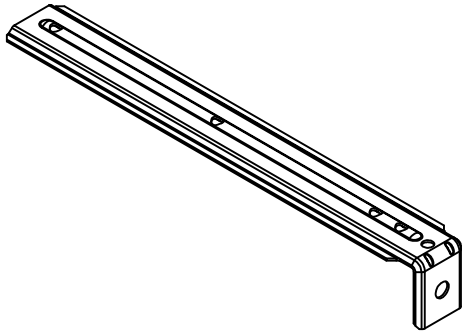


CATHBA Angled Bracket Hanger



Part Number	Mounting Hole Size
CATHBA	Standard 1/4" Hole
CATHBA3	3/16" Hole For Use With Powder Actuated Tools
CATHBA6	Accommodates Both 3/8" & 10mm
CATHBA8	1/2" Mounting Hole

Order screw part numbers S3575BP100 (1/4" X 3/8") and S3575DP100 (1/4" X 3/4") for field assemblies.

1. Can be use with 1-5/16", 2", & 4" J-Hooks.
2. J-Hooks can be field assembled to CATHBA.
3. J-Hooks can be put on either side of CATHBA. (See figures 4 & 5 for details)

Note: Hanger has load limit of 300 lbs. if mounting into concrete, consult anchor manufacturer for anchor load rating and then use lesser of the two figures.

To Install:

Figure 1:

Thread nut onto rod at preferred height, insert rod through top hole of hanger. Thread second nut onto rod tightly against bracket.*

Figure 2:

For field assembly, the top rivet hole of J-Hook uses screw and nut.* Special order factory assemblies are available

Figure 3:

To fasten a J-Hook to the CATHBA: From back side of the bracket, thread a 1/4"-20 screw through the thread impression until tight.

*Hardware not included.

Figure 1:

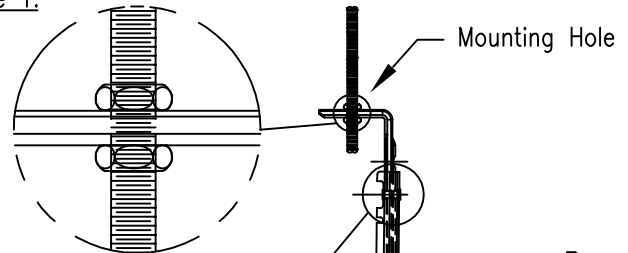


Figure 2:

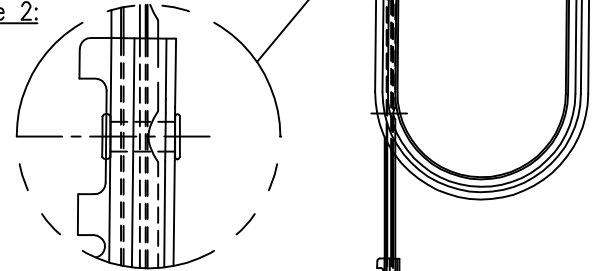
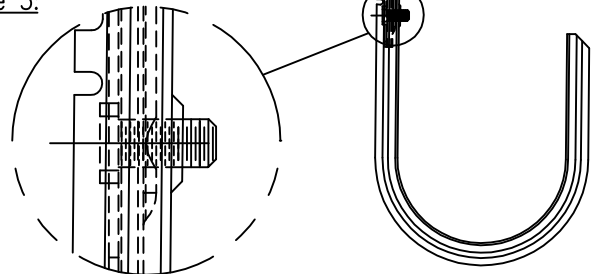


Figure 3:



WARNING:

1. ERICO products shall be installed and used only as indicated in ERICO product instruction sheets and training materials. Instruction sheets are available at www.erico.com and from your ERICO customer service representative.
2. ERICO products must never be used for a purpose other than the purpose for which they were designed or in a manner that exceeds specified load ratings.
3. All instructions must be completely followed to ensure proper and safe installation and performance.
4. Improper installation, misuse, misapplication or other failure to completely follow ERICO's instructions and warnings may cause product malfunction, property damage, serious bodily injury and death.
5. Products that are manufactured using spring steel components shall be used only in a non-corrosive indoor environment.
6. All pipe supports, hangers, intermediate components and structural attachments must ONLY be used as described herein and are NEVER to be used for any other purpose.

NOTE: All load ratings are for static conditions and do not account for dynamic loading such as wind, water or seismic loads, unless otherwise noted.

The customer is responsible for:

- a. Conformance to all governing codes.
- b. The integrity of structures to which the products are attached, including their capability of safely accepting the loads imposed, as evaluated by a qualified engineer.
- c. Using appropriate industry standard hardware as noted above.

SAFETY INSTRUCTIONS:

All governing codes and regulations and those required by the job site must be observed. Always use appropriate safety equipment such as eye protection, hard hat, and gloves as appropriate to the application.



CADDY, CADWELD, CRITEC, ERICO, ERIFLEX, ERITECH, and LENTON are registered trademarks of ERICO International Corporation.

TECHNICAL SUPPORT:
www.erico.com

CFS302_H

1 OF 2

© 2000, 2001, 2010
ERICO International Corporation



Figure 4:

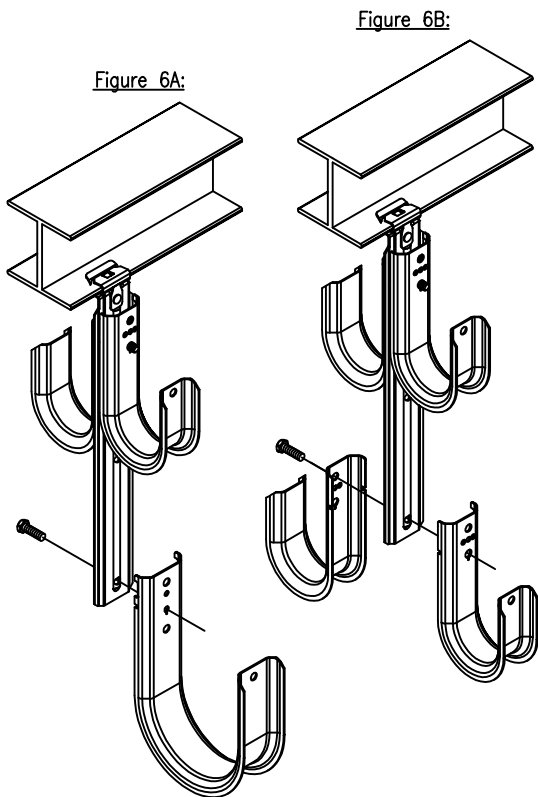
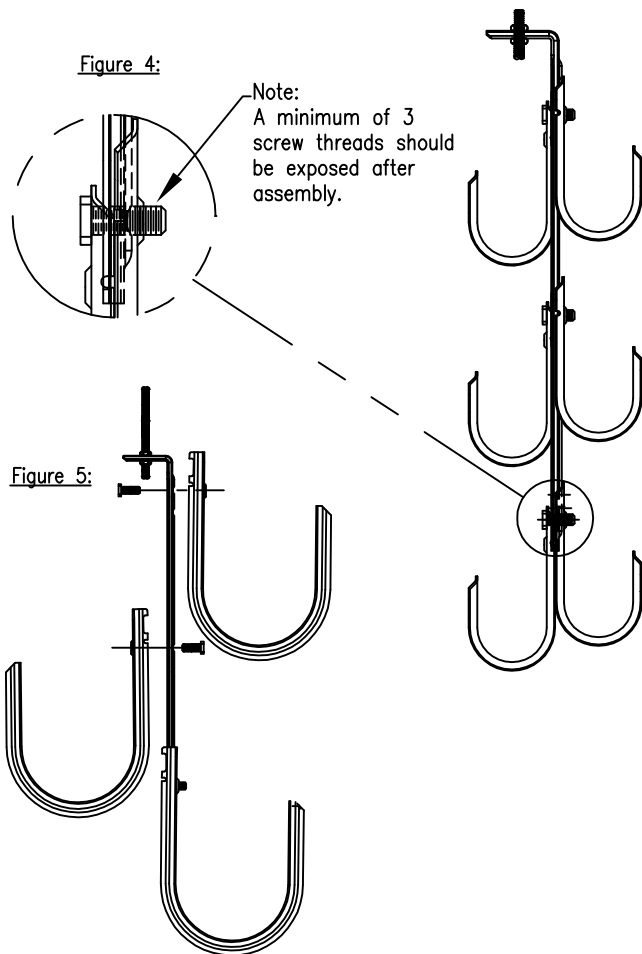
For "back-to-back" application, place two J-Hooks together with screw engaged through plain hole of one J-Hook and the thread impression of the other J-Hook. This method eliminates need for nut.

Figure 5:

For application on 4" J-Hooks, alternate J-Hooks as shown in Figure 5

Contractor Tip:

When assembling the 4" J-Hooks, start the assembly at the bottom of the CATHBA and work up. Limit of 3 (Three) 4" J-Hooks per CATHBA.



Figures 6A & 6B

Can be applied as shown.

For proper loads see chart on opposite page.

Note: Load rating of "tree" assembly is limited to the capacity of the structural fastener suspending the threaded rod.

Example: Using 4H24 hammer-on beam clamp (200 lbs. max.) assemble as follows:

6A) One CAT64 and two CAT32 (50 lbs. max. each)

6B) Up to a total of 4 CAT21 or CAT32 (50 lbs. max. each) in any combination.

Contractor Tip:

To create a shorter CATHBA, cut the bracket as shown.

