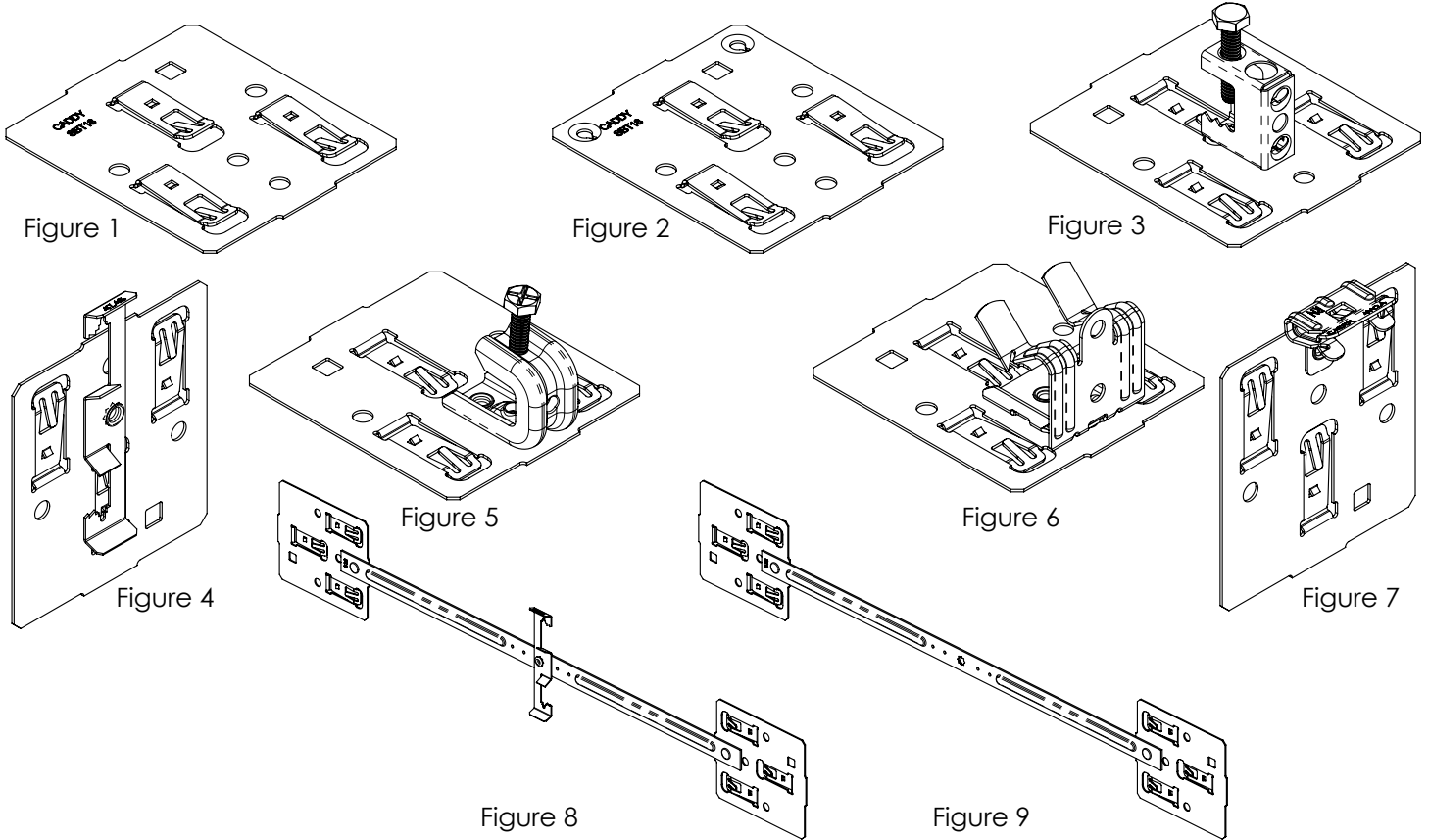
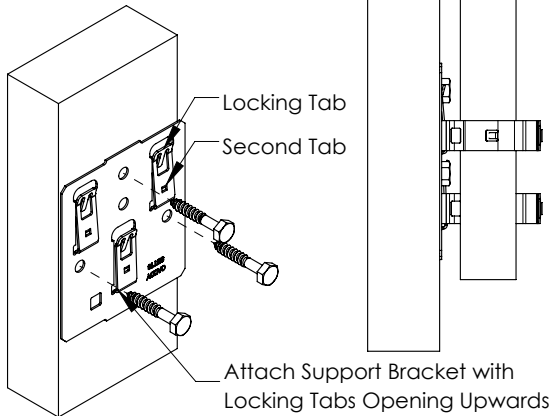


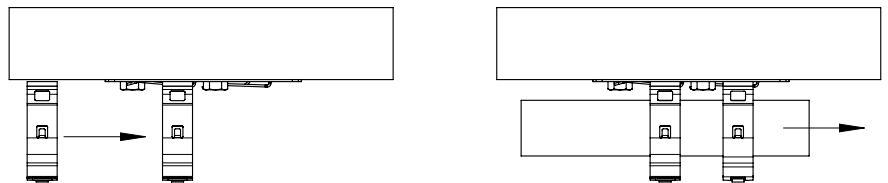
Multiple Conduit Support Bracket



Vertical Installation



Horizontal Installation



1. Secure Support Bracket to Substrate
 2. Install Conduit Clip onto Support Bracket. A Maximum of Three Conduit Clips per Bracket
 3. Install Conduit into the the Conduit Clip
- Note: For Locking Tab Installations, the Conduit Clip shall be engaged to the Second Tab

WARNING:

1. nVent products shall be installed and used only as indicated in nVent product instruction sheets and training materials. Instruction sheets are available at www.nVent.com and from your nVent customer service representative.
2. nVent products must never be used for a purpose other than the purpose for which they were designed or in a manner that exceeds specified load ratings.
3. All instructions must be **completely** followed to ensure proper and safe installation and performance.
4. Improper installation, misuse, misapplication or other failure to completely follow nVent's instructions and warnings may cause product malfunction, property damage, serious bodily injury and/or death, and void your warranty.
5. Products that are manufactured using spring steel components shall be used only in a non-corrosive indoor environment.
6. All pipe supports, hangers, intermediate components and structural attachments must **ONLY** be used as described herein and are **NEVER** to be used for any other purpose.

NOTE: All load ratings are for static conditions and do not account for dynamic loading such as wind, water or seismic loads, unless otherwise noted.

The customer is responsible for:

- a. Conformance to all governing codes.
- b. The integrity of structures to which the products are attached, including their capability of safely accepting the loads imposed, as evaluated by a qualified engineer.
- c. Using appropriate industry standard hardware as noted above.

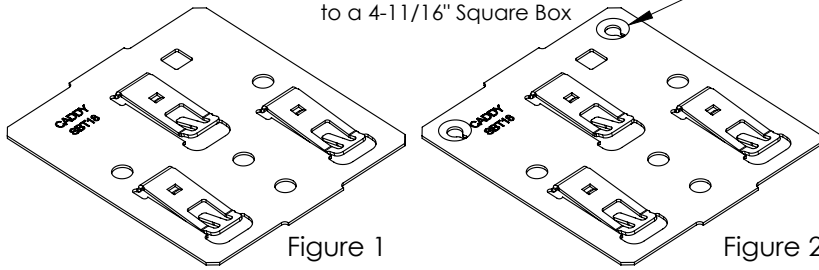
SAFETY INSTRUCTIONS:

All governing codes and regulations and those required by the job site must be observed. Always use appropriate safety equipment such as eye protection, hard hat, and gloves as appropriate to the application.

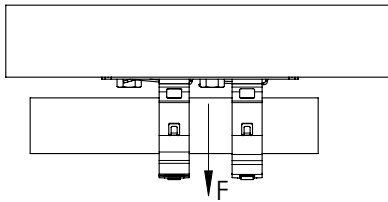
nVent, nVent CADDY, nVent ERICO Cadweld, nVent ERICO Critec, nVent ERICO, nVent ERIFLEX, and nVent LENTON are owned by nVent or its global affiliates. All other trademarks are the property of their respective owners. nVent reserves the right to change specifications without prior notice.

Multiple Conduit Support Bracket

Thread Impression for attachment to a 4-11/16" Square Box

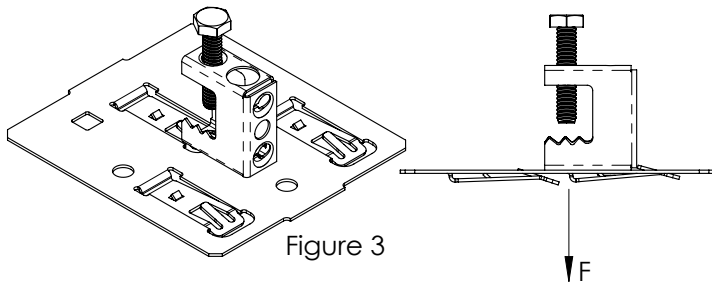


| Global Part Number | Figure No. | Description | Static Load Rating (lb) |
|--------------------|------------|---|-------------------------|
| SBT18 | 1 | Multiple Conduit Support Bracket | 150 |
| SBT18TI | 2 | Multiple Conduit Support Bracket with Two 1/4-20 Thread Impressions | |



Indicated Loads are Static Load Limits of the Assembly
 50 lb Static Load Rating per Locking Tab
 Combined Loads of Locking Tab shall not exceed Assembly Static Load Rating
 Maximum of Three Conduit Clips per Support Bracket

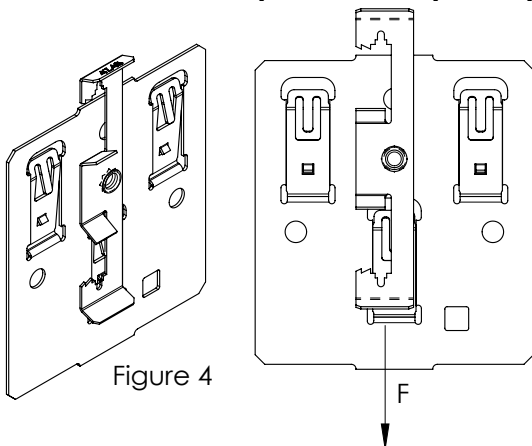
BC Beam Clamp with Multiple Support Conduit Clip



| Global Part Number | Figure No. | Description | Static Load Rating (lb) |
|--------------------|------------|---|-------------------------|
| SBT18BC | 3 | Multiple Support Bracket to 1/2" Max Flange | 100 |

Indicated Loads are Static Load Limits of the Assembly
 50 lb Static Load Rating per Locking Tab
 Combined Loads of Locking Tab shall not exceed Assembly Static Load Rating
 Maximum of Three Conduit Clips per Support Bracket

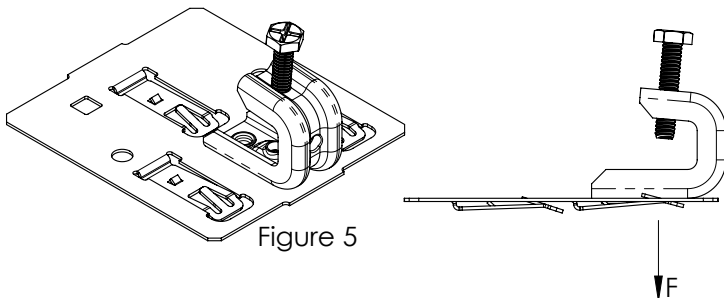
Multi-Function Clip with Multiple Support Conduit Clip



| Global Part Number | Figure No. | Description | Static Load Rating (lb) |
|--------------------|------------|--|-------------------------|
| SBT184Z34 | 4 | Support Bracket to #12 Wire thru 1/4" Threaded or Smooth Rod | 20 |
| SBT186Z34 | | Support Bracket to 5/16" thru 3/8" Threaded or Smooth Rod | |

Indicated Loads are Static Load Limits of the Assembly
 Maximum of Three Conduit Clips per Support Bracket

BC200 Beam Clamp with Multiple Support Conduit Clip



| Global Part Number | Figure No. | Description | Static Load Rating (lb) |
|--------------------|------------|---|-------------------------|
| SBT18BC200 | 5 | Multiple Support Bracket to 5/8" Max Flange | 100 |

Indicated Loads are Static Load Limits of the Assembly
 50 lb Static Load Rating per Locking Tab
 Combined Loads of Locking Tab shall not exceed Assembly Static Load Rating
 Maximum of Three Conduit Clips per Support Bracket

Bottom Mount Hammer-On with Multiple Support Conduit Clip

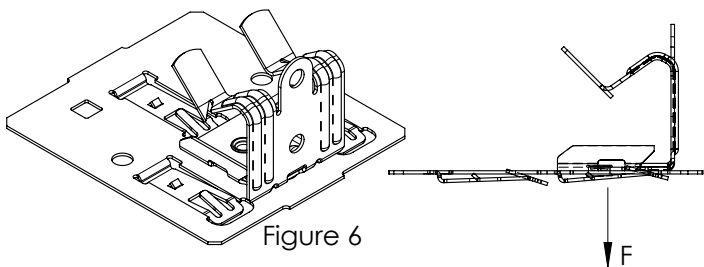


Figure 6

| Global Part Number | Figure No. | Description | Static Load Rating (lb) |
|--------------------|------------|---|-------------------------|
| SBT1824 | 6 | Multiple Support Bracket to 1/8" - 1/4" Flange | 75 |
| SBT1858 | | Multiple Support Bracket to 5/16" - 1/2" Flange | |
| SBT18912 | | Multiple Support Bracket to 9/16" - 3/4" Flange | |

Indicated Loads are Static Load Limits of the Assembly
 50 lb Static Load Rating per Locking Tab
 Combined Loads of Locking Tab shall not exceed Assembly Static Load Rating
 Maximum of Three Conduit Clips per Support Bracket

Side Mount Hammer-On with Multiple Support Conduit Clip

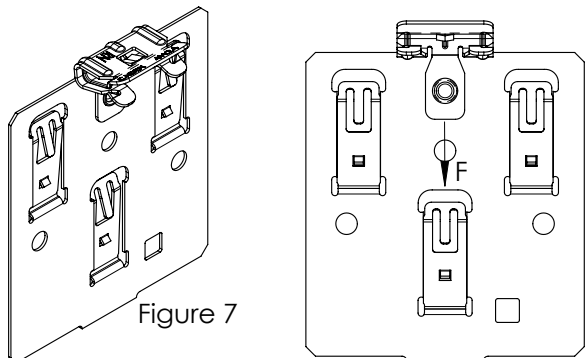


Figure 7

| Global Part Number | Figure No. | Description | Static Load Rating (lb) |
|--------------------|------------|---|-------------------------|
| SBT1824SM | 7 | Multiple Support Bracket to 1/8" - 1/4" Flange | 150 |
| SBT1858SM | | Multiple Support Bracket to 5/16" - 1/2" Flange | |
| SBT18912SM | | Multiple Support Bracket to 9/16" - 3/4" Flange | |

Indicated Loads are Static Load Limits of the Assembly
 50 lb Static Load Rating per Locking Tab
 Combined Loads of Locking Tab shall not exceed Assembly Static Load Rating
 Maximum of Three Conduit Clips per Support Bracket

Mult-Function Clip and Box Hanger with Multiple Support Conduit Clip

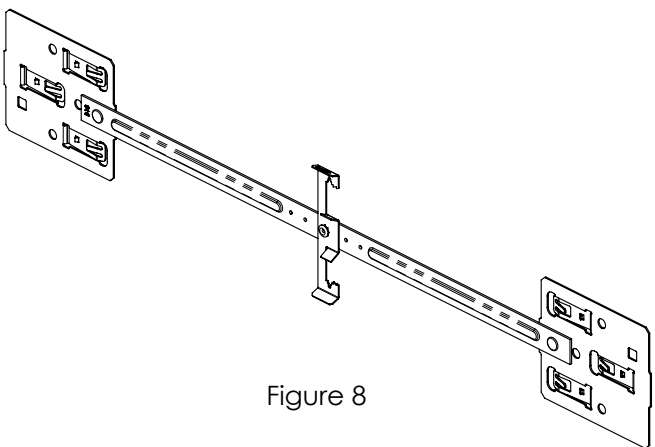


Figure 8

| Global Part Number | Figure No. | Description |
|--------------------|------------|--|
| B18SBT184Z | 8 | Multiple Support Bracket to #12 Wire thru 1/4" Threaded or Smooth Rod and Box Hanger |

Mounting Outlet Box to Hanger Requires Two Screws
 May Require Dedicated Drop Wire or Rod - Please Consult Local Authority
 Maximum of Three Conduit Clips per Support Bracket.
 Intended for Conduit to be Install into an Outlet Box from Multiple Sides.
 When Installing Conduit into One Side of an Outlet Box, the Opposite Side Conduit Clip may be Removed.

Box Hanger with Multiple Support Conduit Clip

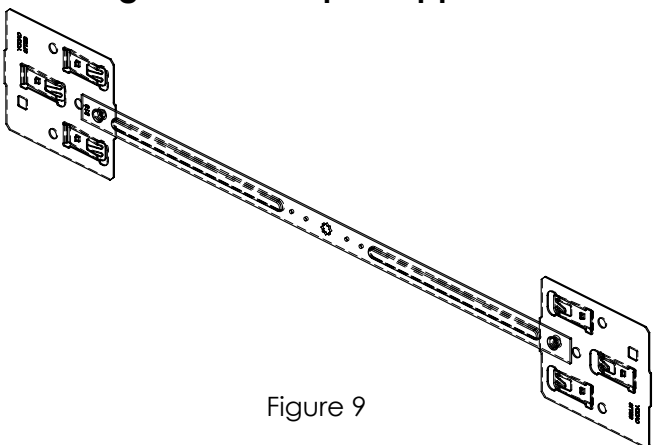


Figure 9

| Global Part Number | Figure No. | Description |
|--------------------|------------|--|
| B18SBT18 | 9 | Multiple Support Bracket to Box Hanger |

When Mounting Outlet Box to Hanger, Two Screws are Required.
 When Supporting the Hanger Assembly with Threaded Rod going through both the Hanger Assembly and Outlet Box, Additional Screws are Not Necessary.
 May Require Dedicated Drop Wire or Rod - Please Consult Local Authority
 Maximum of Three Conduit Clips per Support Bracket.
 Intended for Conduit to be Install into an Outlet Box from Multiple Sides.
 When Installing Conduit into One Side of an Outlet Box, the Opposite Side Conduit Clip may be Removed.