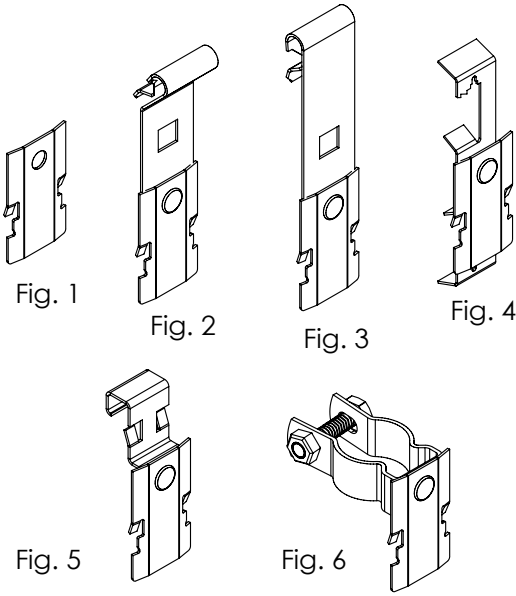


nVent CADDY Cat Links

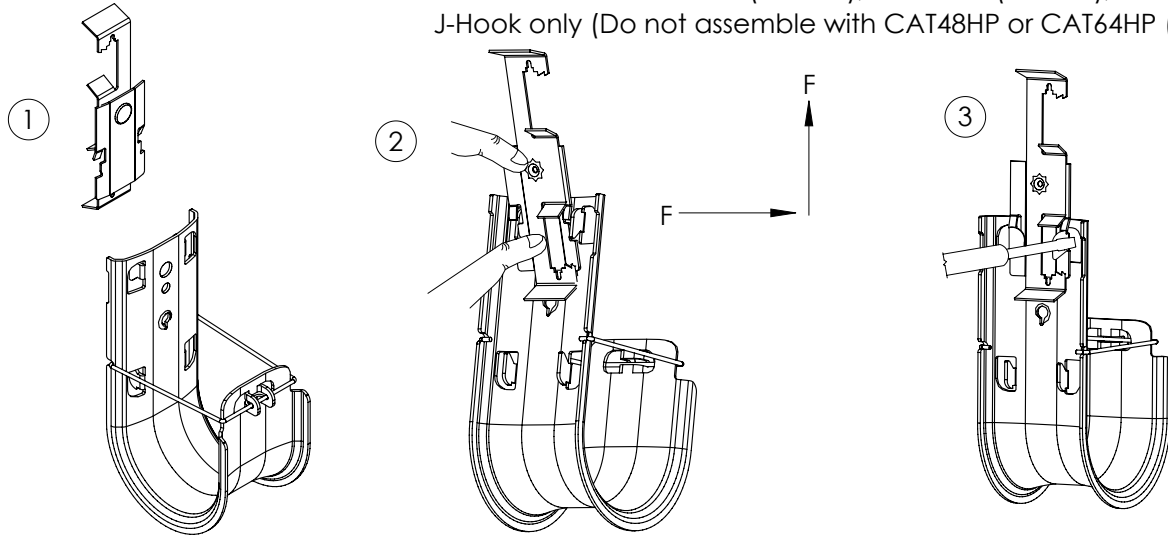
High Performance, Hanger Type, Straight Bracket Assemblies



Part Number	Article Number	Fig. No.	Description	Working Load (3:1 Safety)	
				Lbs	N
CATHPS4*	181068*	1	0.282" [7.14] mounting hole	200	890
CATHPAF14*	181092*	2	1/16" [1.59] through 1/4" [6.35] Z-purlin	100	445
CATHPVF14*	181081*	3	1/16" [1.59] through 1/4" [6.35] vertical flange	160	712
CATHPESC*	181082*	5	Support from strut	100	445
CATHP4Z34**,**	181084**,**	4	#12 SWG thru 1/4" [6.35] wire or plain rod, 1/4" [6.35] threaded rod	30	133
CATHP6Z34**,**	181085**,**		3/8" [9.53] threaded or plain rod		
CATHP8Z34**,**	N/A		1/2" [13] & 5/8" [16] threaded rod		
CATHPCD0B	181085*	6	3/4" [19.05] round pedestal	Use only for flexible conduit/cable	
CATHPCD1B	181086*		7/8" [22.23] to 1" [25.4] round or 3/4" [19.05] square pedestal		
CATHPCD2B*	181087*		7/8" [22.23] square pedestal		
CATHPCD2.5B*	181088*		1" [24.4] square pedestal		
CATHPCD3B*	N/A		1-1/2" [38.1] round pedestal		

*Contains Spring Steel component

**Assemble with CAT16HP (181061), CAT21HP (181188), CAT32HP (181062) J-Hook only (Do not assemble with CAT48HP or CAT64HP (181064) J-Hook)



Notes:

1. Attach bracket to J-Hook before attaching to channels, wires, rods, or flanges.
2. Align bracket with the tabs on the J-Hook using both hands. In the center of the bracket, below the tabs, press with one thumb firmly forward and upward. At the same time using your other hand, grab the bracket above the top of the J-Hook and move it forward and backward until the bracket moves into final position on the back of the J-Hook.
3. Bend the two tabs on the J-Hook inward.

WARNING:

1. nVent products shall be installed and used only as indicated in nVent product instruction sheets and training materials. Instruction sheets are available at www.nVent.com and from your nVent customer service representative.
2. nVent products must never be used for a purpose other than the purpose for which they were designed or in a manner that exceeds specified load ratings.
3. All instructions must be completely followed to ensure proper and safe installation and performance.
4. Improper installation, misuse, misapplication or other failure to completely follow nVent's instructions and warnings may cause product malfunction, property damage, serious bodily injury and/or death, and void your warranty.
5. Products that are manufactured using spring steel components shall be used only in a non-corrosive indoor environment.
6. All pipe supports, hangers, intermediate components and structural attachments must ONLY be used as described herein and are NEVER to be used for any other purpose.

NOTE: All load ratings are for static conditions and do not account for dynamic loading such as wind, water or seismic loads, unless otherwise noted.

The customer is responsible for:

- a. Conformance to all governing codes.
- b. The integrity of structures to which the products are attached, including their capability of safely accepting the loads imposed, as evaluated by a qualified engineer.
- c. Using appropriate industry standard hardware as noted above.

SAFETY INSTRUCTIONS:

All governing codes and regulations and those required by the job site must be observed. Always use appropriate safety equipment such as eye protection, hard hat, and gloves as appropriate to the application.

nVent, nVent CADDY, nVent ERICO Cadweld, nVent ERICO Critec, nVent ERICO, nVent ERIFLEX, and nVent LENTON are owned by nVent or its global affiliates. All other trademarks are the property of their respective owners. nVent reserves the right to change specifications without prior notice.



TECHNICAL SUPPORT:
www.nVent.com

CFS375_F

1 OF 2

© 2007-2018 nVent All Rights Reserved



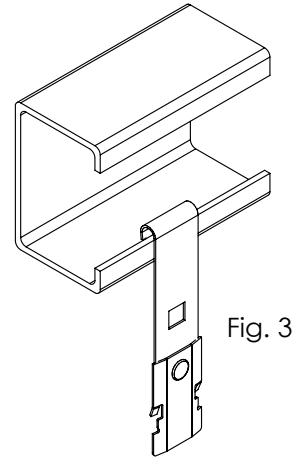
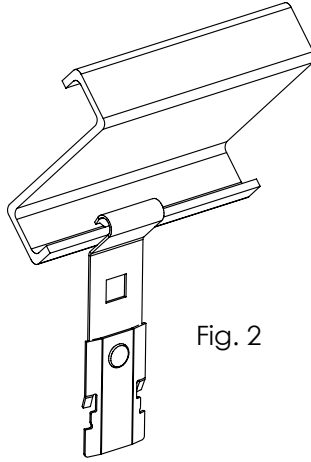
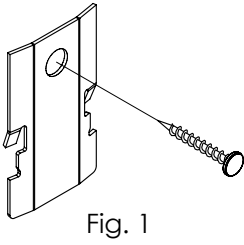
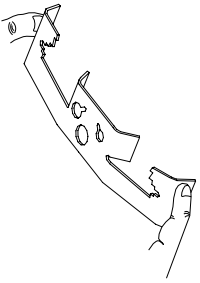
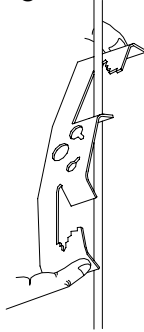


Fig. 4 installation options

1. Squeeze fastener



2. Connect top edge over wire



3. Twist into place and release

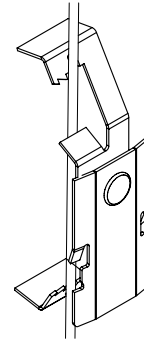
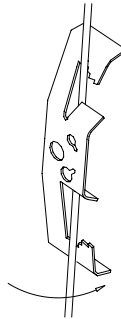
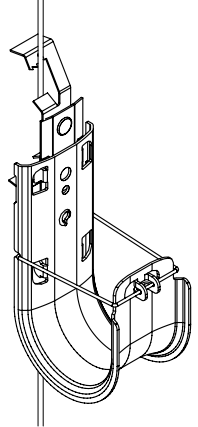
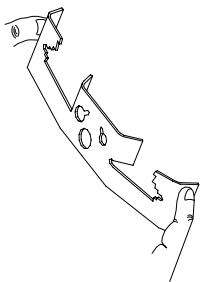


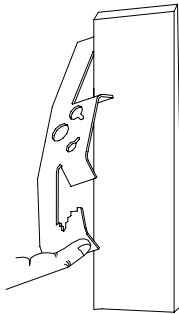
Fig. 4 complete assembly option
J-Hook not included



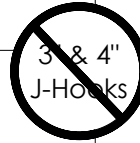
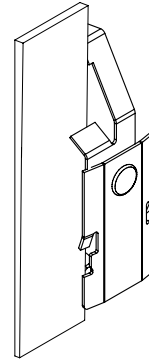
1. Squeeze fastener



2. Connect top edge over flange



3. Twist into place and release



*For CATHP4Z34 and CATHP6Z34 only

Fig. 5

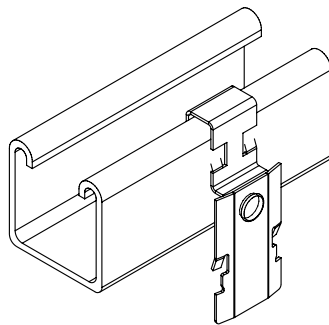


Fig. 6

Tighten screw
Torque = 75 in-lbs
[8.5 Nm]

