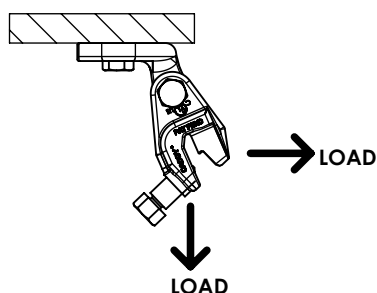
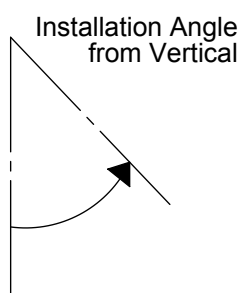


CSBUNIV Universal Structural Attachment Fitting

*NA Part Number	Attachment Hole Diameter		Brace		UL® Load Rating
	Inch	mm	Inch	mm	lbs. (N)
CSBUNIV050(XX)	9/16	14	1 - 2 Pipe	25 - 50 Pipe	3000 (13340)
CSBUNIV050(XX)	9/16	14	1/4 Angle Iron	6 Angle Iron	2015 (8960)
CSBUNIV075(XX)	13/16	21	1 - 2 Pipe	25 - 50 Pipe	3000 (13340)
CSBUNIV075(XX)	13/16	21	1/4 Angle Iron	6 Angle Iron	2015 (8960)

(XX) = Finish Specifier



FM® Approved when used with 1", 1-1/4", 1-1/2" or 2" (DN25, DN32, DN40, DN50) NPS Schedule 40, GB/T 3091, EN 10255 (Heavy), or JIS G3454 brace pipe.

*NA Part Number	Attachment Hole Diameter		FM® Horizontal Load Ratings lbs (N)			
			Installation Angle			
	Inch	mm	30° - 44°	45° - 59°	60° - 74°	75° - 90°
CSBUNIV050(XX)	9/16	14	1620 (7205)	2300 (10230)	2820 (12545)	3140 (13965)
CSBUNIV075(XX)	13/16	21	1620 (7205)	2300 (10230)	2820 (12545)	3140 (13965)

Sway Brace assemblies are intended to be installed in accordance with NFPA®-13 and the manufacturer's installation instructions. The required type, number, and size of fasteners used for the structure attachment fitting shall be in accordance with NFPA-13.

WARNING:

- Pentair products shall be installed and used only as indicated in Pentair product instruction sheets and training materials. Instruction sheets are available at www.ericopentair.com and from your Pentair customer service representative.
- PENTAIR products must never be used for a purpose other than the purpose for which they were designed or in a manner that exceeds specified load ratings.
- All instructions must be completely followed to ensure proper and safe installation and performance.
- Improper installation, misuse, misapplication or other failure to completely follow Pentair's instructions and warnings may cause product malfunction, property damage, serious bodily injury and/or death, and void your warranty.
- Products that are manufactured using spring steel components shall be used only in a non-corrosive indoor environment.
- All pipe supports, hangers, intermediate components and structural attachments must ONLY be used as described herein and are NEVER to be used for any other purpose.

NOTE: All load ratings are for static conditions and do not account for dynamic loading such as wind, water or seismic loads, unless otherwise noted.

The customer is responsible for:

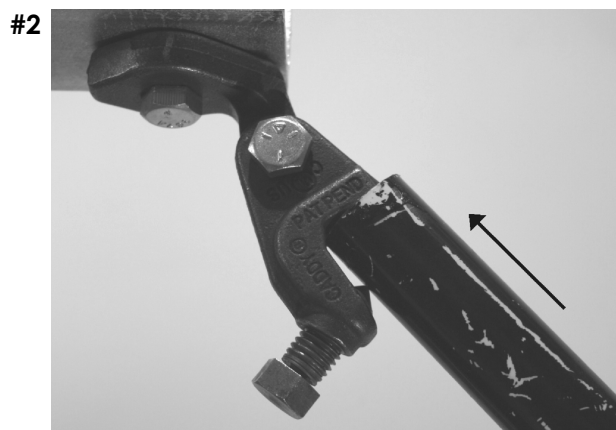
- Conformance to all governing codes.
- The integrity of structures to which the products are attached, including their capability of safely accepting the loads imposed, as evaluated by a qualified engineer.
- Using appropriate industry standard hardware as noted above.

SAFETY INSTRUCTIONS:

All governing codes and regulations and those required by the job site must be observed. Always use appropriate safety equipment such as eye protection, hard hat, and gloves as appropriate to the application.

Pentair, CADDY, ERICO CADWELD, ERICO CRITEC, ERICO, ERIFLEX, and LENTON are owned by Pentair or its global affiliates. All other trademarks are the property of their respective owners. Pentair reserves the right to change specifications without prior notice.





**MIN 40 FT-LBS
(54 N-m)**

#4



Post installation tightening of hinge bolt is not required.

CSBUNIV is a Structural Attachment Fitting. It is intended to be combined with a "Bracing Pipe", and a CADDY brand Sway Brace ("Braced Pipe") Fitting to form a complete bracing assembly.

Sway Braces are intended to be installed in accordance with NFPA®-13 and the manufacturer's assembly and instructions.



Pentair, CADDY, ERICO CADWELD, ERICO CRITEC, ERICO, ERIFLEX, and LENTON are owned by Pentair or its global affiliates. All other trademarks are the property of their respective owners. Pentair reserves the right to change specifications without prior notice.

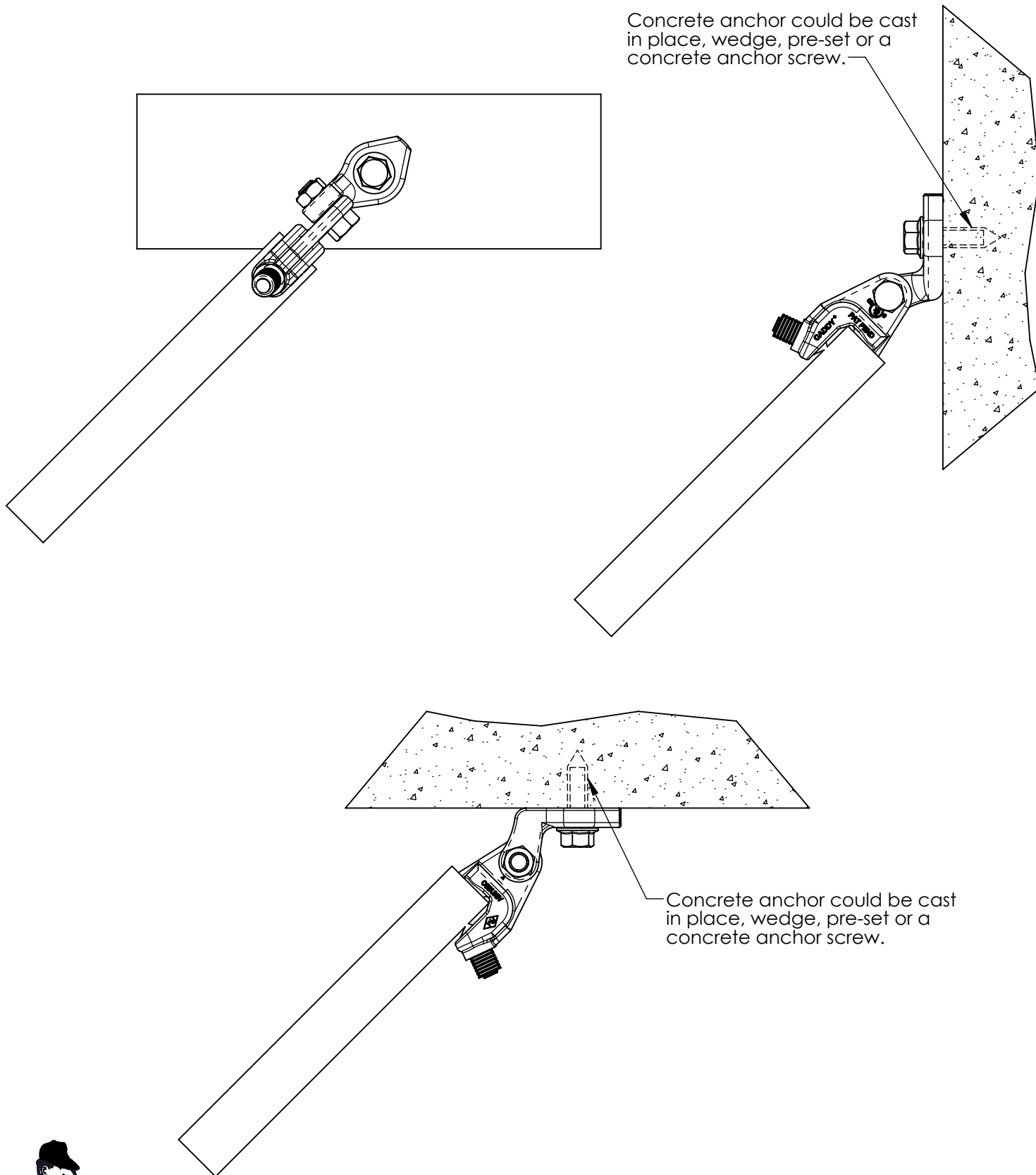
TECHNICAL SUPPORT:
www.ericopentair.com

CFS383_H

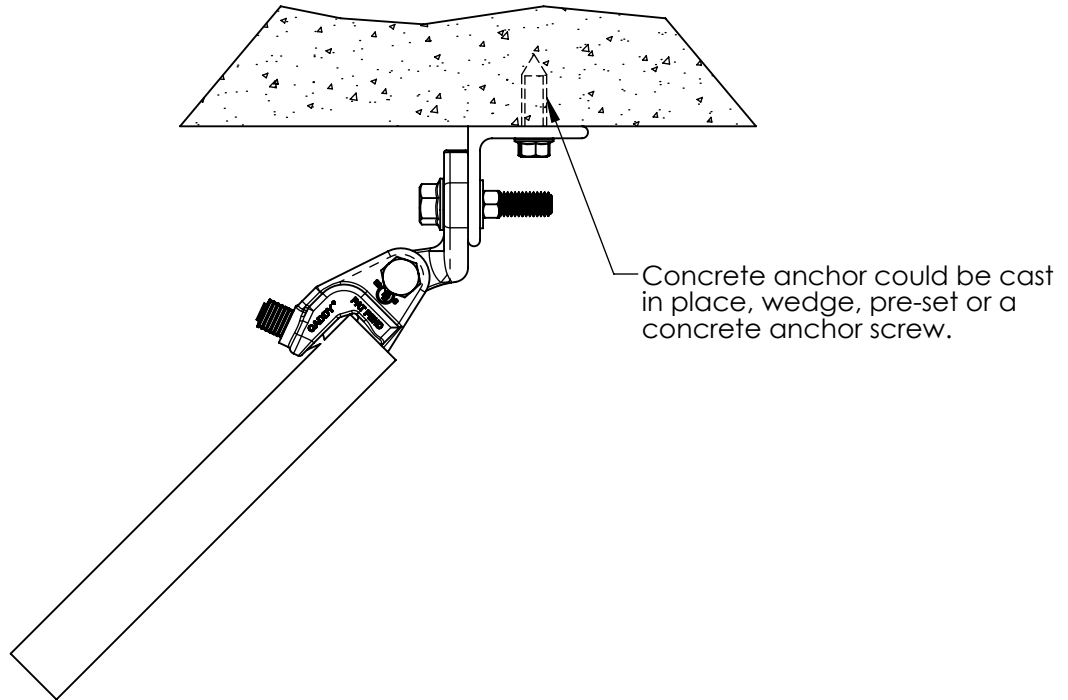
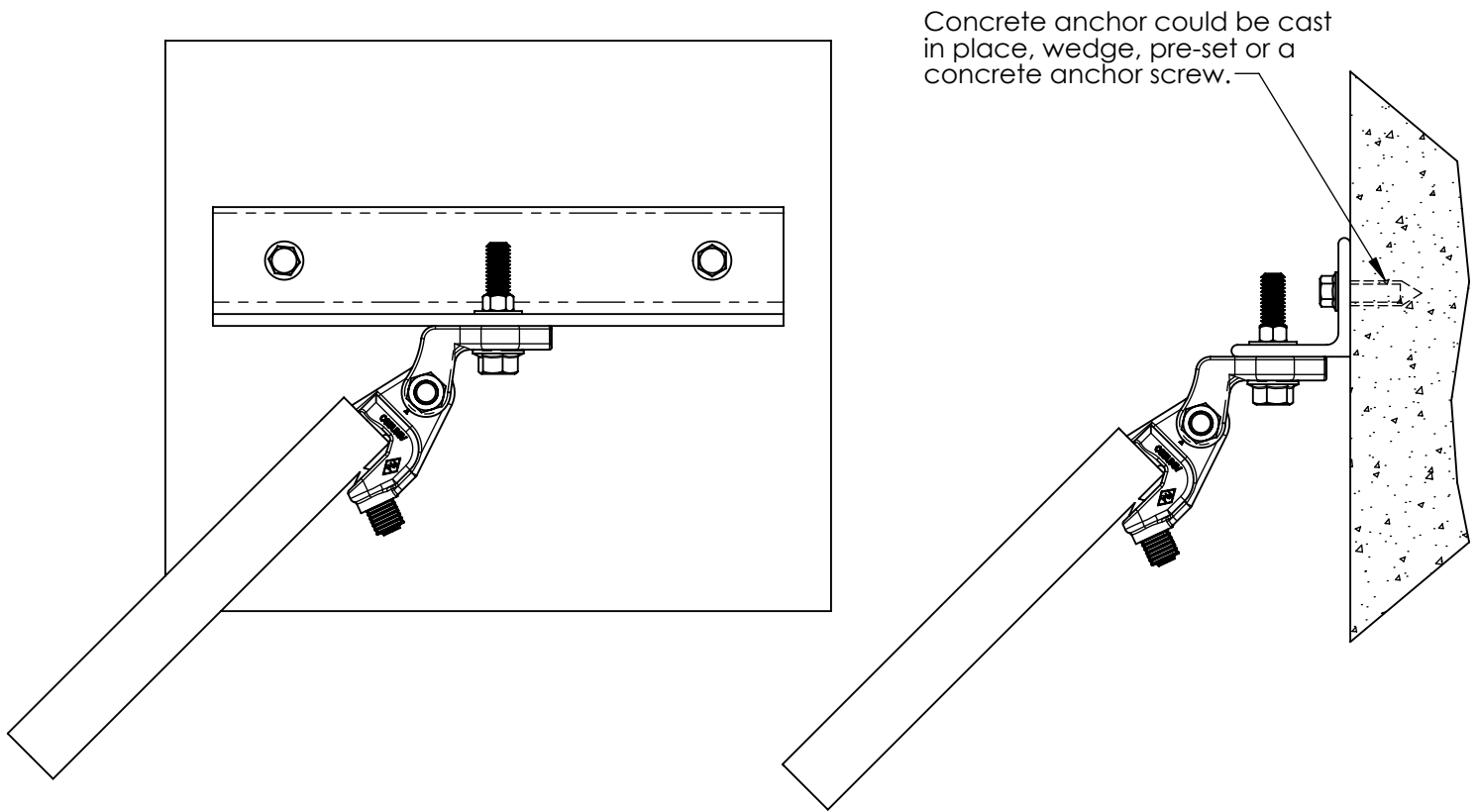
2 OF 9

© 2009-2017 Pentair All Rights Reserved

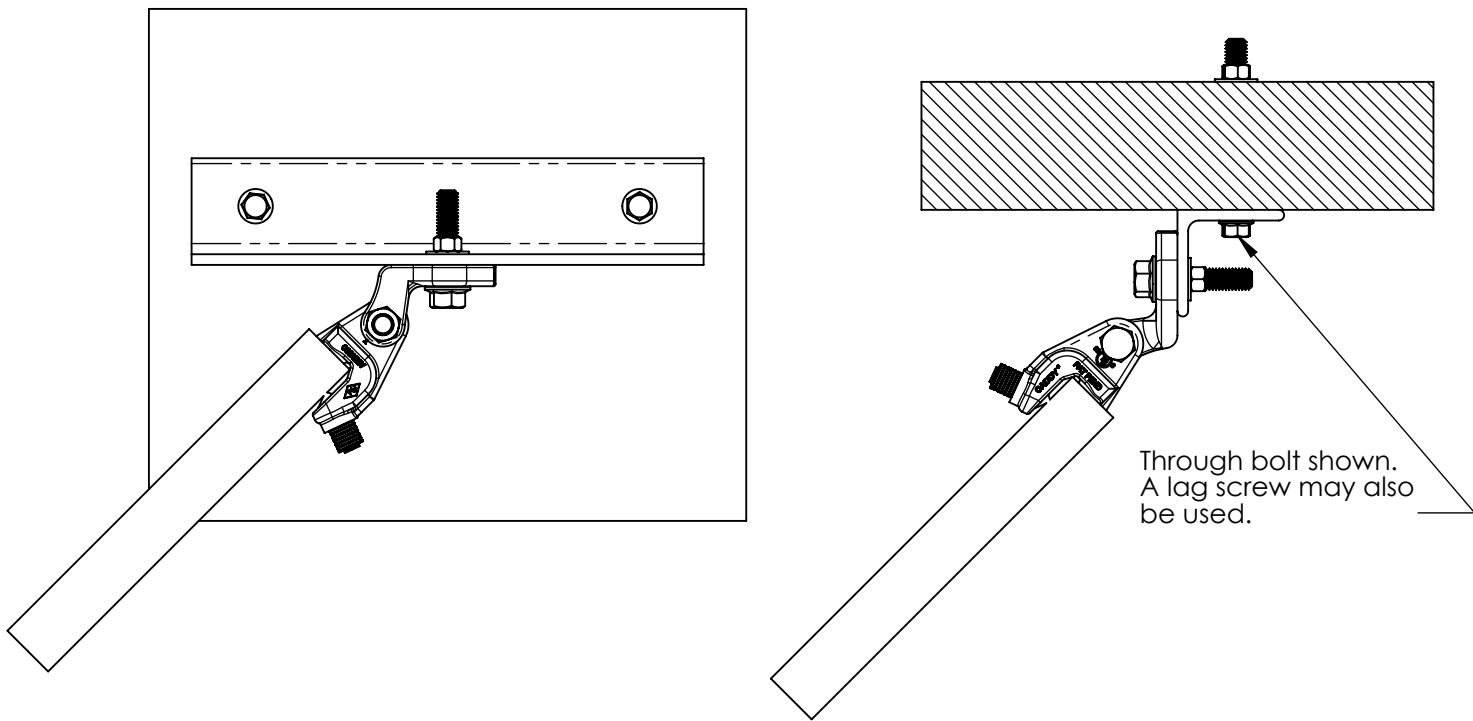
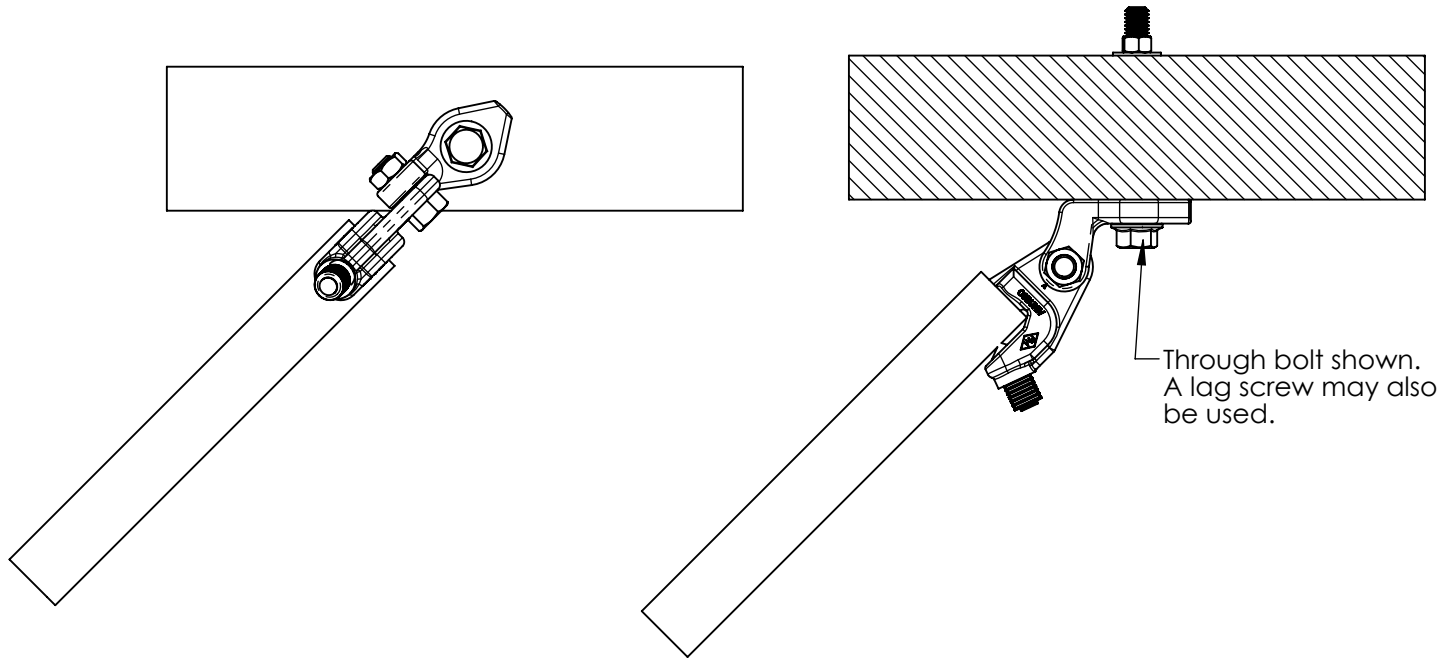




Pentair, CADDY, ERICO CADWELD, ERICO CRITEC, ERICO, ERIFLEX, and LENTON are owned by Pentair or its global affiliates. All other trademarks are the property of their respective owners. Pentair reserves the right to change specifications without prior notice.

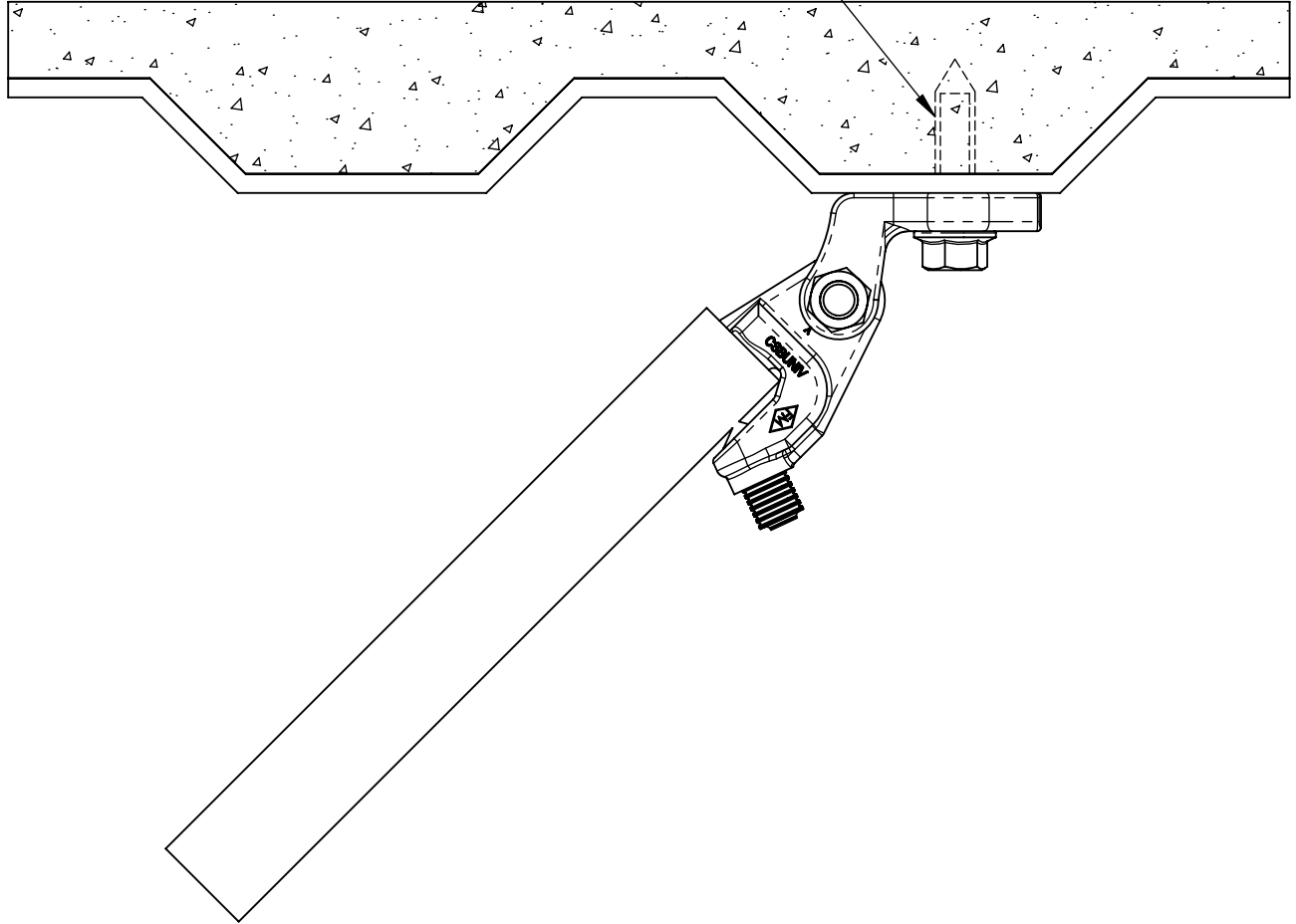


Pentair, CADDY, ERICO CADWELD, ERICO CRITEC, ERICO, ERIFLEX, and LENTON are owned by Pentair or its global affiliates. All other trademarks are the property of their respective owners. Pentair reserves the right to change specifications without prior notice.

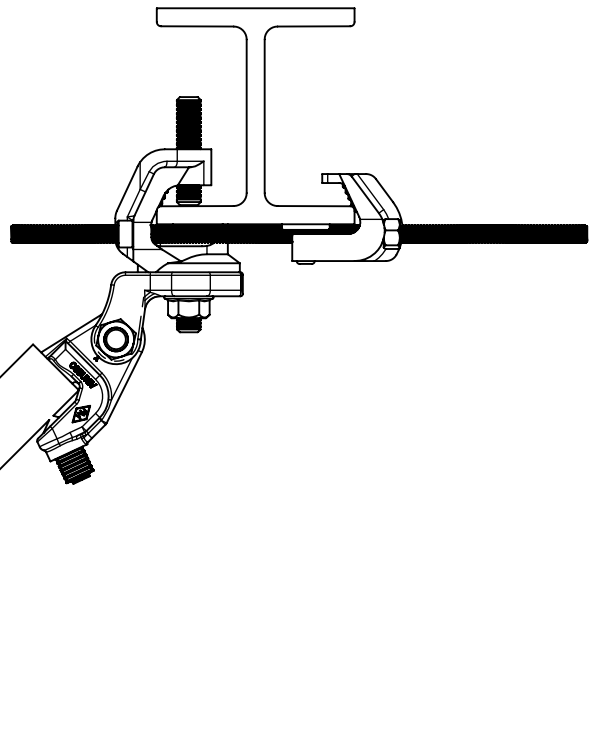
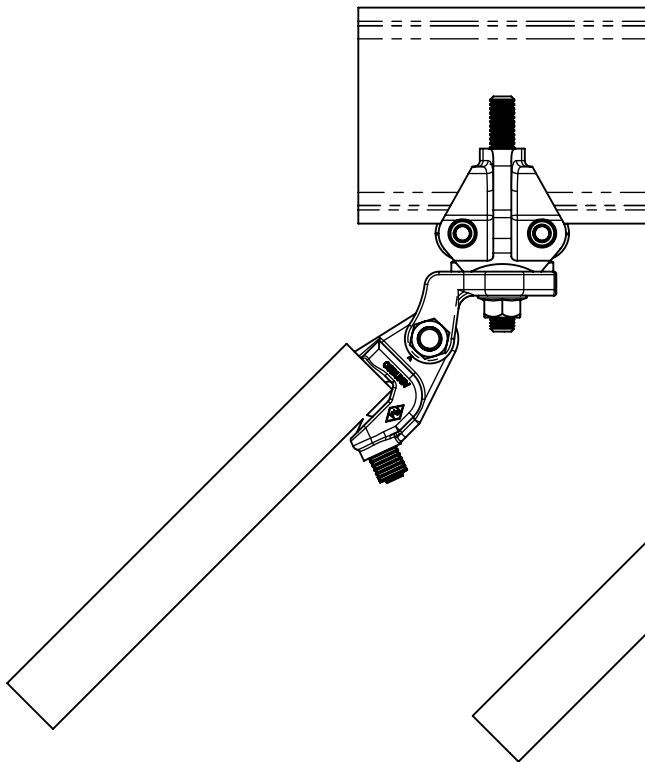
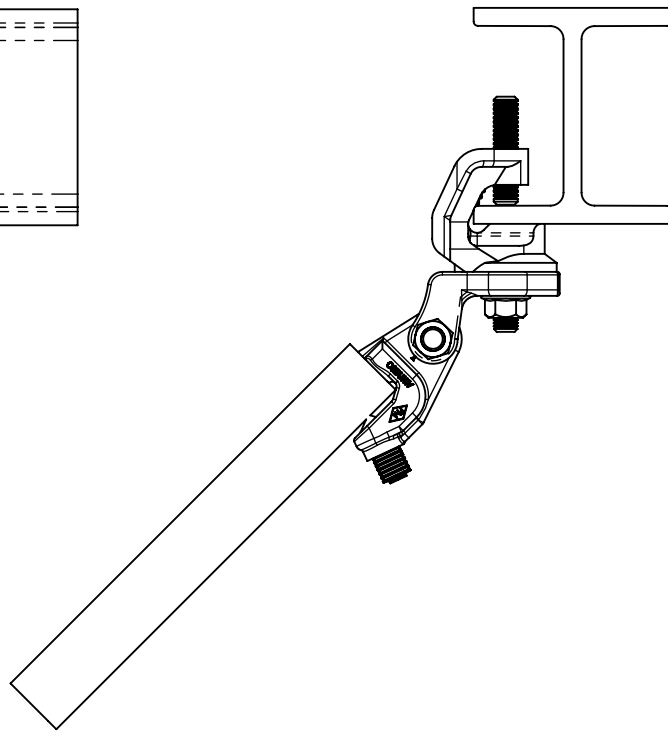
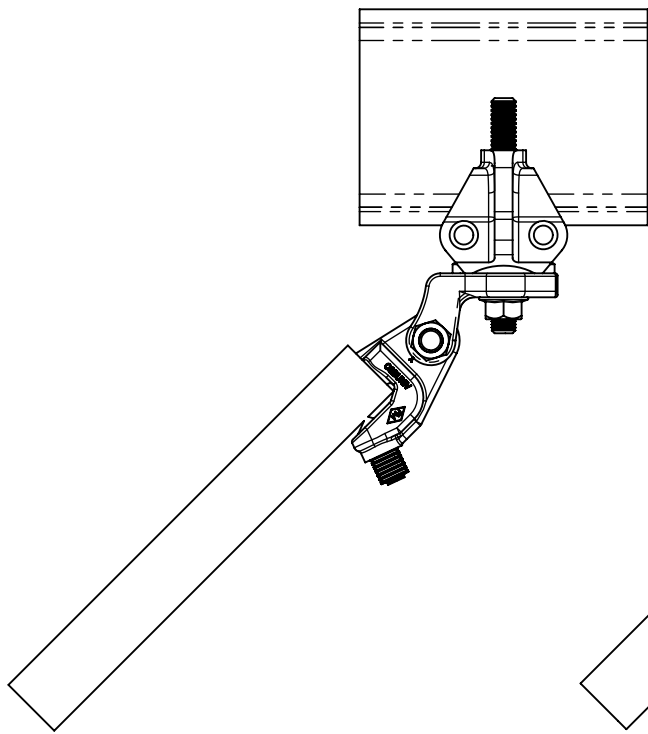


Pentair, CADDY, ERICO CADWELD, ERICO CRITEC, ERICO, ERIFLEX, and LENTON are owned by Pentair or its global affiliates. All other trademarks are the property of their respective owners. Pentair reserves the right to change specifications without prior notice.

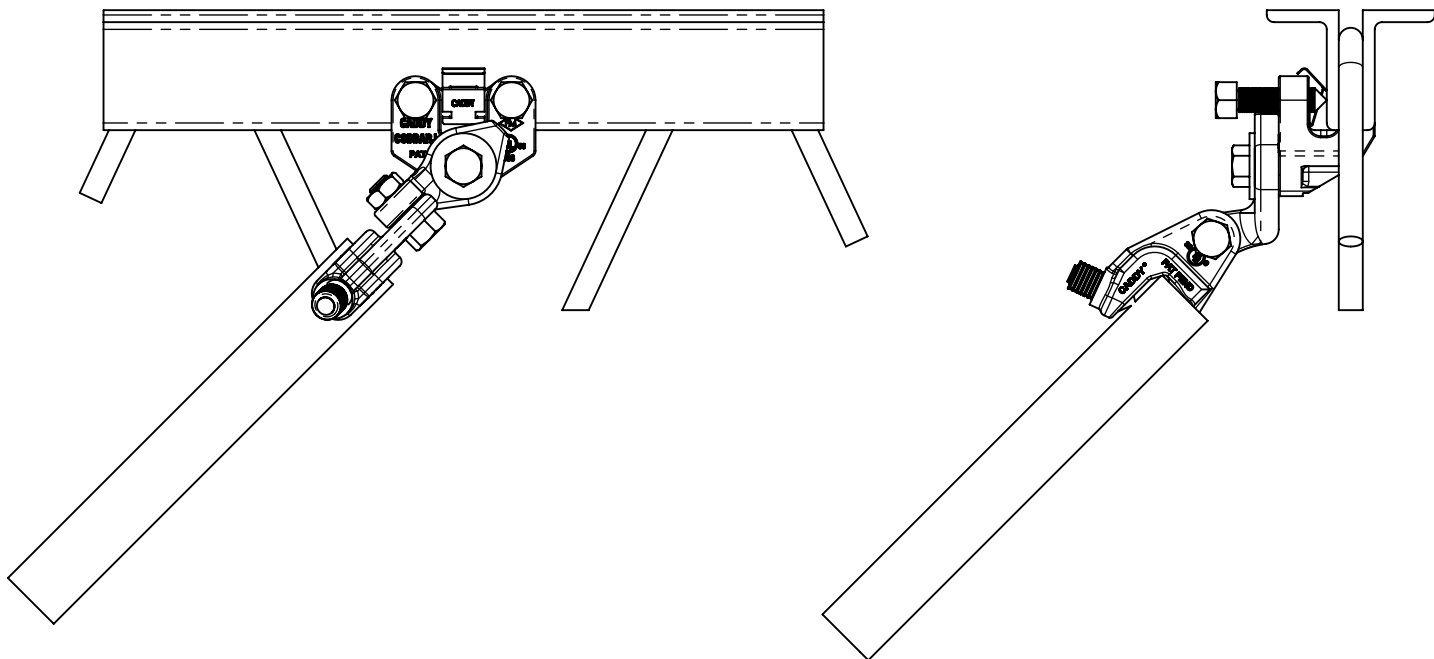
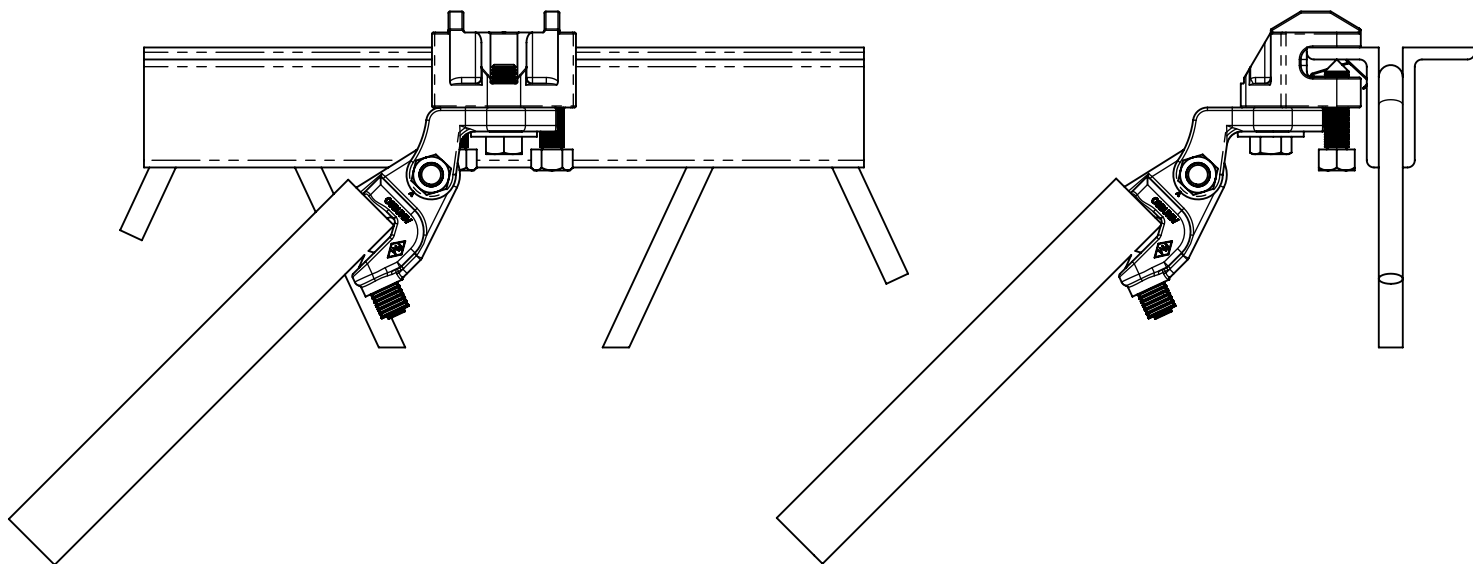
Concrete anchor could be cast in place, wedge, pre-set or a concrete anchor screw.



Pentair, CADDY, ERICO CADWELD, ERICO CRITEC, ERICO, ERIFLEX, and LENTON are owned by Pentair or its global affiliates. All other trademarks are the property of their respective owners. Pentair reserves the right to change specifications without prior notice.



Pentair, CADDY, ERICO CADWELD, ERICO CRITEC, ERICO, ERIFLEX, and LENTON are owned by Pentair or its global affiliates. All other trademarks are the property of their respective owners. Pentair reserves the right to change specifications without prior notice.



Pentair, CADDY, ERICO CADWELD, ERICO CRITEC, ERICO, ERIFLEX, and LENTON are owned by Pentair or its global affiliates. All other trademarks are the property of their respective owners. Pentair reserves the right to change specifications without prior notice.

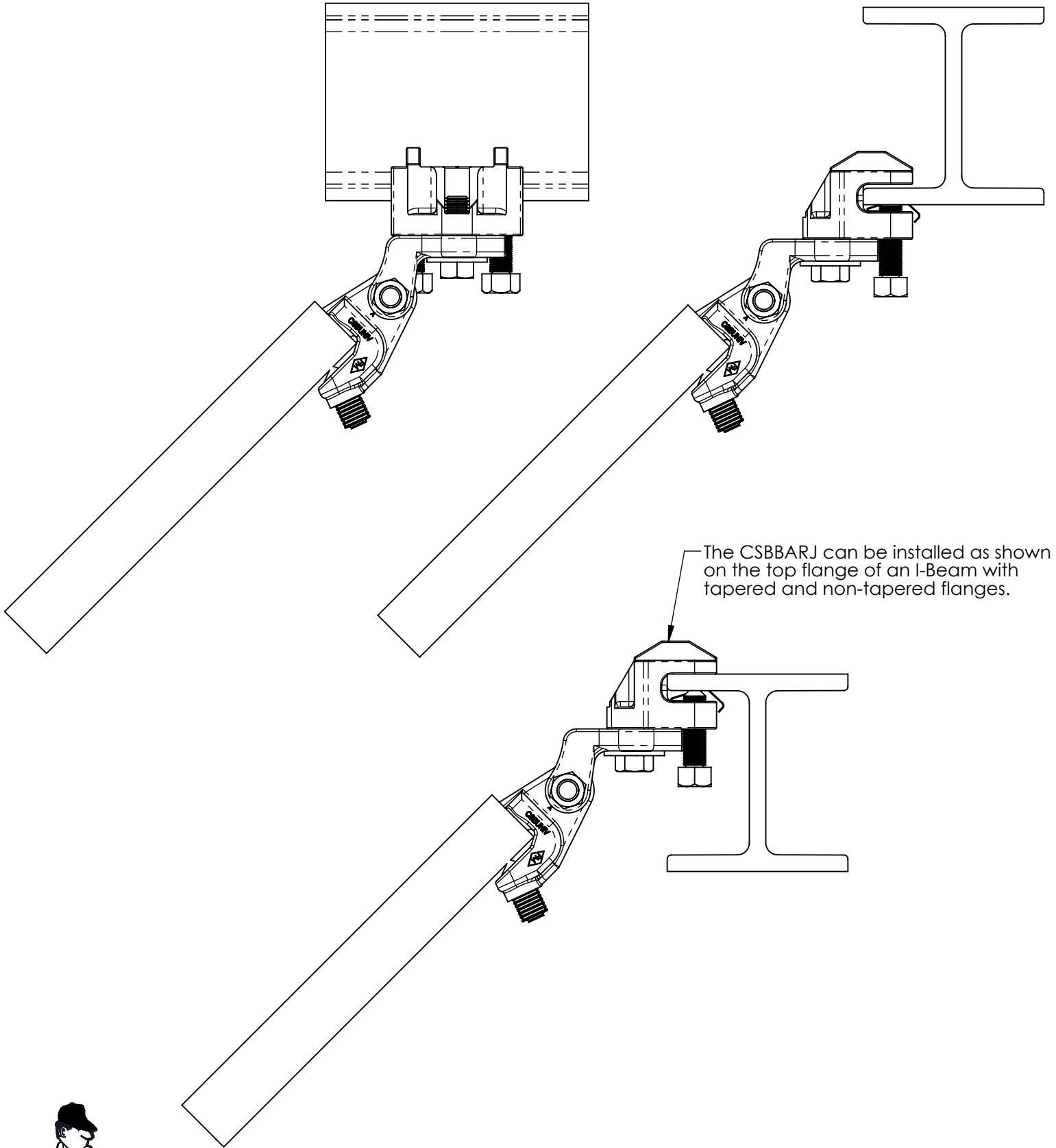
TECHNICAL SUPPORT:
www.ericopentair.com

CFS383_H

8 OF 9

© 2009-2017 Pentair All Rights Reserved





Pentair, CADDY, ERICO CADWELD, ERICO CRITEC, ERICO, ERIFLEX, and LENTON are owned by Pentair or its global affiliates. All other trademarks are the property of their respective owners. Pentair reserves the right to change specifications without prior notice.