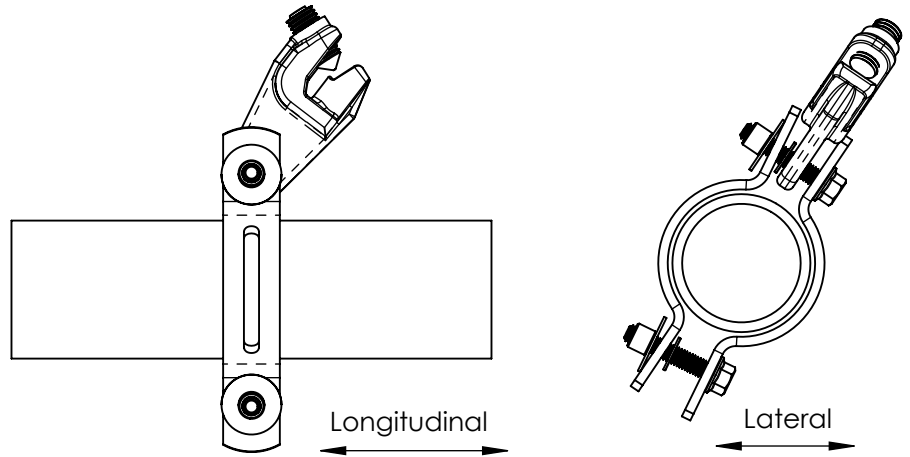


# CSBEZU

## Easy Universal Sway Brace or Restraint Device Sway Brace Fitting

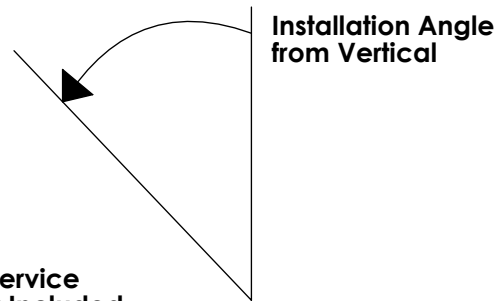
Part Number	Pipe Size	
	NPS (in)	Korean
CSBEZU0100(XX)	1	25A
CSBEZU0125(XX)	1-1/4	32A
CSBEZU0150(XX)	1-1/2	40A
CSBEZU0200(XX)	2	50A
CSBEZU0250(XX)	2-1/2	65A
CSBEZU0300(XX)	3	80A
CSBEZU0400(XX)	4	100A
CSBEZU0500(XX)	5	125A
CSBEZU0600(XX)	6	150A



\*(XX) = Finish Specifier.

Sway Brace assemblies are intended to be installed in accordance with NFPA-13 and the manufacturer's installation instructions.

The required type, number, and size of fasteners used for the structure attachment fitting shall be in accordance with NFPA-13.



**\* All Brace and Service Pipes shown, Not Included**

**WARNING:**

1. nVent products shall be installed and used only as indicated in nVent product instruction sheets and training materials. Instruction sheets are available at [www.nVent.com](http://www.nVent.com) and from your nVent customer service representative.
2. nVent products must never be used for a purpose other than the purpose for which they were designed or in a manner that exceeds specified load ratings.
3. All instructions must be **completely** followed to ensure proper and safe installation and performance.
4. Improper installation, misuse, misapplication or other failure to completely follow nVent's instructions and warnings may cause product malfunction, property damage, serious bodily injury and/or death, and void your warranty.
5. Products that are manufactured using spring steel components shall be used only in a non-corrosive indoor environment.
6. All pipe supports, hangers, intermediate components and structural attachments must **ONLY** be used as described herein and are **NEVER** to be used for any other purpose.

NOTE: All load ratings are for static conditions and do not account for dynamic loading such as wind, water or seismic loads, unless otherwise noted.

The customer is responsible for:

- a. Conformance to all governing codes.
- b. The integrity of structures to which the products are attached, including their capability of safely accepting the loads imposed, as evaluated by a qualified engineer.
- c. Using appropriate industry standard hardware as noted above.

**SAFETY INSTRUCTIONS:**

All governing codes and regulations and those required by the job site must be observed. Always use appropriate safety equipment such as eye protection, hard hat, and gloves as appropriate to the application.

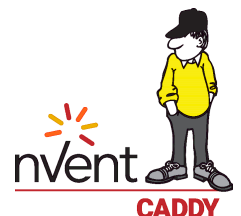
nVent, nVent CADDY, nVent ERICO Cadweld, nVent ERICO Critec, nVent ERICO, nVent ERIFLEX, and nVent LENTON are owned by nVent or its global affiliates. All other trademarks are the property of their respective owners. nVent reserves the right to change specifications without prior notice.

TECHNICAL SUPPORT:  
[www.nVent.com](http://www.nVent.com)

CFS386\_S

1 OF 4

© 2007-2023 nVent All Rights Reserved



UL Loads (Listed for Restraints)		
Part Number	Lateral Sch 10/Sch 40 Service Pipe	Longitudinal Sch 10/Sch 40 Service Pipe
CSBEZU0100(XX)	655 lb (2,914 N)	350 lb (1,334 N)
CSBEZU0125(XX)	655 lb (2,914 N)	350 lb (1,334 N)
CSBEZU0150(XX)	655 lb (2,914 N)	350 lb (1,334 N)
CSBEZU0200(XX)	N/A	350 lb (1,334 N)

## Notes:

1. UL Listed as restrain device in the 30° to 90° lateral and longitudinal bracing orientation.
2. UL Listed for use with Schedule 10 and Schedule 40 service pipe for user with 1 to 2 NPS Schedule 40 brace pipe.

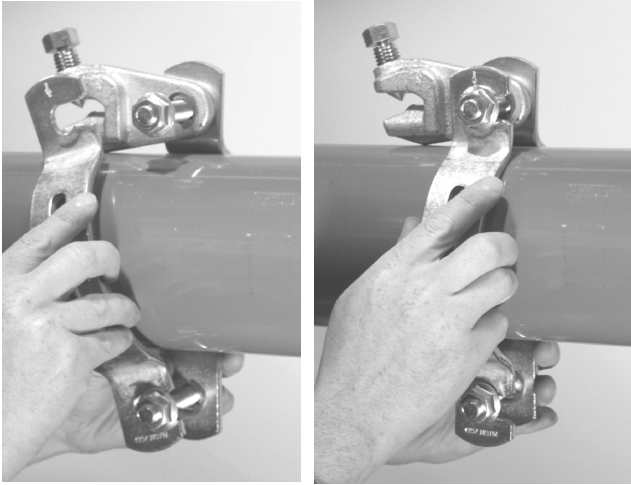
UL Loads (Listed for Sway Braces)				
Part Number	Lateral		Longitudinal	
	KS D 3507 Service Pipe	KS D 3562 Service Pipe	KS D 3507 Service Pipe	KS D 3562 Service Pipe
CSBEZU0200(XX)	1,200 lb (5,338 N)	1,200 lb (5,338 N)	N/A	N/A
CSBEZU0300(XX)	1,600 lb (7,117 N)	1,600 lb (7,117 N)	680 lb (3025 N)	680 lb (3025 N)
CSBEZU0400(XX)	2,000 lb (8,896 N)	2,000 lb (8,896 N)	1,000 lb (4,448 N)	1,000 lb (4,448 N)
CSBEZU0500(XX)	2000 lb (8,896 N)	2000 lb (8,896 N)	1,090 lb (4,849 N)	1,090 lb (4,849 N)
CSBEZU0600(XX)	2000 lb (8,896 N)	2000 lb (8,896 N)	1,090 lb (4,849 N)	1,090 lb (4,849 N)

1. UL203A Listed for use with KS D 3507 and KS D 3562 Service Pipe, for use with 25A to 32A KS D 3562 brace pipe.

Part Number	Orientation to Sprinkler Pipe	Service Pipe Size		Pipe Schedule	FM Horizontal Load Ratings lbs (N)			
		Inch	mm		Installation Angle			
					30° - 44°	45° - 59°	60° - 75°	75° - 90°
CSBEZU0100(XX)	Lateral	1	25	LW, 10, 40	860 (3,825)	1,220 (5,425)	1,500 (6,670)	1,670 (7,430)
CSBEZU0125(XX)		1-1/4	32					
CSBEZU0150(XX)		1-1/2	40					
CSBEZU0200 (XX)	Lateral	2	50	LW, 10, 40	1,530 (6,805)	2,160 (9,610)	2,650 (11,790)	2,960 (13,165)
CSBEZU0250(XX)	Lateral	2-1/2	65	LW, 10, 40	950 (4,220)	1,350 (6,000)	1,650 (7,330)	1,840 (8,180)
CSBEZU0300(XX)		3	85					
CSBEZU0400(XX)	Lateral	4	100	LW, 10, 40	1,400 (6,200)	1,990 (8,850)	2,430 (10,800)	2,720 (12,090)
CSBEZU0500(XX)		5	125					
CSBEZU0600(XX)	Lateral	6	150	LW, 10, 40	1,650 (7,330)	2,330 (10,360)	2,850 (12,670)	3,180 (14,140)
CSBEZU0100(XX)	Longitudinal	1	25	LW, 10, 40	390 (1,735)	550 (2,445)	670 (2,980)	750 (3,335)
CSBEZU0125(XX)		1-1/4	32					
CSBEZU0150(XX)		1-1/2	40					
CSBEZU0200 (XX)	Longitudinal	2	50	LW, 10, 40	520 (2,315)	690 (3,070)	830 (3,690)	930 (4,130)
CSBEZU0250(XX)	Longitudinal	2-1/2	65	LW, 10, 40	1,000 (4,440)	1,360 (6,040)	1,470 (6,530)	1,620 (7,200)
CSBEZU0300(XX)		3	85					
CSBEZU0400(XX)	Longitudinal	4	100	LW, 10, 40	1,360 (6,040)	1,870 (8,310)	2,270 (10,090)	2,510 (11,160)
CSBEZU0500(XX)		5	125					
CSBEZU0600(XX)	Longitudinal	6	150	LW, 10, 40	1,700 (7,560)	2,340 (10,400)	2,690 (11,960)	2,700 (12,010)

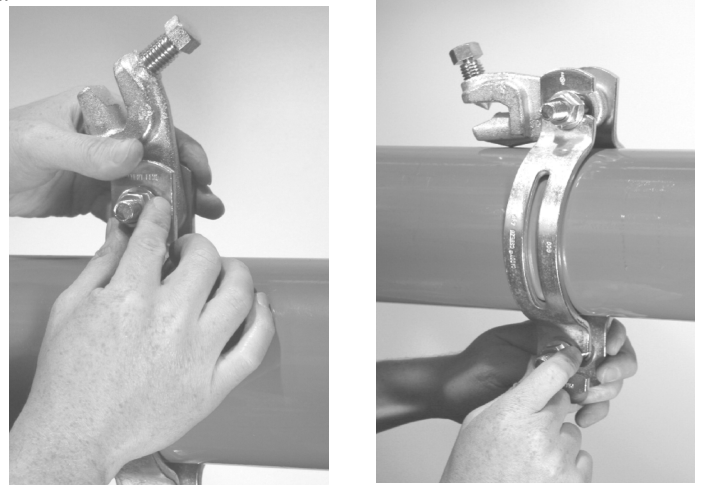
- A.) FM approved when used with 1", 1-1/4", 1-1/2" or 2" (DN25, DN32, DN40, DN50) NPS Schedule 40, GBT/T 3091, EN 10255 (Heavy), AS 1074 (Heavy) or JIS G3454 brace pipe.
- B.) Load ratings for Schedule 40 above may also be applied to AS 1074 (Heavy), GB/T 3091, EN 10255 (Heavy), and JIS G3454 pipe.
- C.) Load ratings for Schedule 10 above may also be applied to AS 1074 (Medium), GB/T 3091, EN 10255 (Medium or Heavy), JIS G3452, FM approved thinwall, and Schedule 40 unless otherwise indicated.
- D.) Load ratings for LW above refers to FM approved lightwall pipe, commonly referred to as "Schedule 7". These ratings may also be applied to AS 1074 Lightwall, EN 10255 L, EN 10220, and GB/T 8163 pipe unless otherwise specified.

#1



Rotate slotted stamped component over bolts.  
(Hardware does not have to be removed)  
\*Slot should face away from brace pipe.

#2



Finger tighten nuts and rotate assembly to desired orientation.

#3



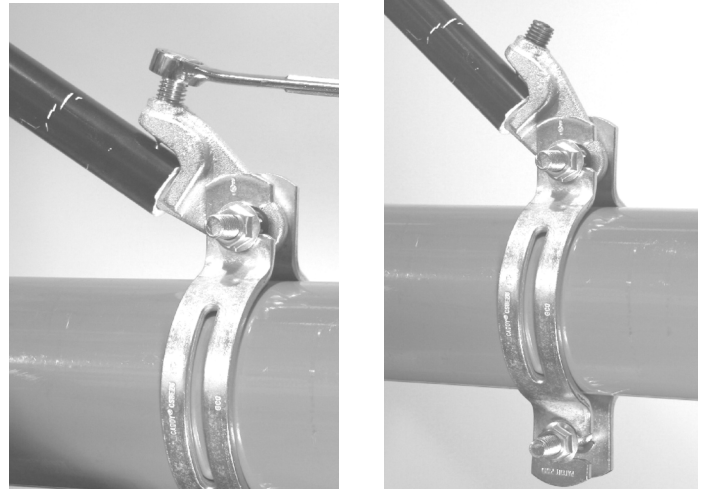
*Part Number	Torque	
	ft-lbs	N-m
CSBEZU0100(XX)	25	34
CSBEZU0125(XX)		
CSBEZU0150(XX)		
CSBEZU0200(XX)		
CSBEZU0250(XX)	50	68
CSBEZU0300(XX)		
CSBEZU0400(XX)		
CSBEZU0500(XX)		
CSBEZU0600(XX)		

First tighten bolt that passes through brace clamp until the shear head on nut snaps off. Then proceed to tighten the other bolt on the CSBEZU until the shear head on nut snaps off.

\*(XX) Finish Specifier

**\* All Brace and Service Pipes shown, Not Included**

#4



Insert brace pipe into brace clamp as far as possible. Tighten shear head set screw until head snaps off.

CSBEZU is a Sway Brace Fitting. It is intended to be combined with a nVent CADDY brand Structural Attachment Fitting and "Bracing Pipe" to form a complete bracing assembly.

Sway Braces are intended to be installed in accordance with NFPA-13 and the manufacturer's assembly and instructions.