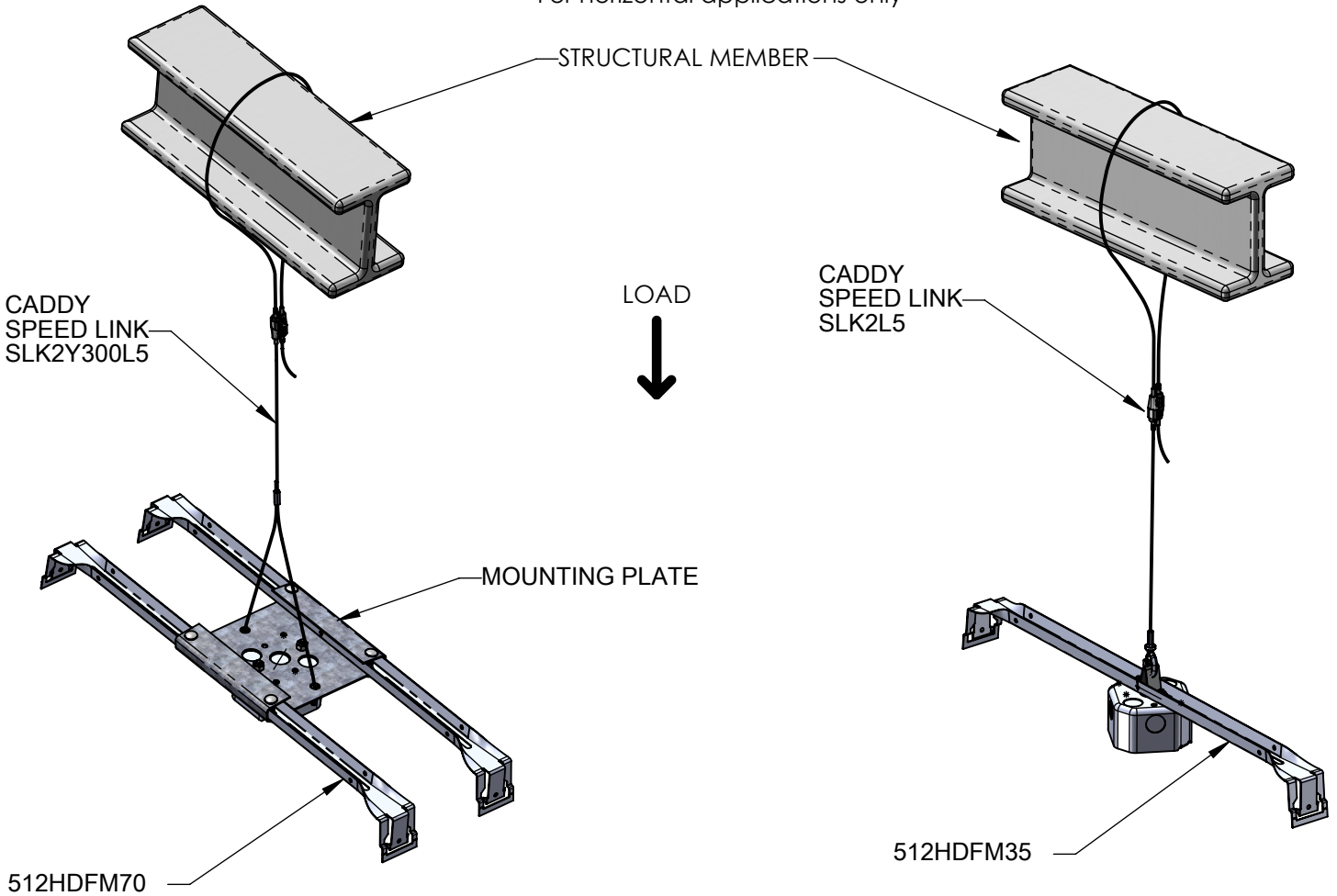


FAN MOUNT FOR CEILING GRID SYSTEMS 512HDFM70 512HDFM35

Part Number	Fan	Fixture	Fan [Canada]
512HDFM70	70LBS	90LBS	---
512HDFM35	35LBS	50LBS	---

For horizontal applications only



WARNING:

1. Pentair products shall be installed and used only as indicated in Pentair product instruction sheets and training materials. Instruction sheets are available at www.erico.pentair.com and from your Pentair customer service representative.
2. PENTAIR products must never be used for a purpose other than the purpose for which they were designed or in a manner that exceeds specified load ratings.
3. All instructions must be **completely** followed to ensure proper and safe installation and performance.
4. Improper installation, misuse, misapplication or other failure to completely follow Pentair's instructions and warnings may cause product malfunction, property damage, serious bodily injury and/or death, and void your warranty.
5. Products that are manufactured using spring steel components shall be used only in a non-corrosive indoor environment.
6. All pipe supports, hangers, intermediate components and structural attachments must **ONLY** be used as described herein and are **NEVER** to be used for any other purpose.

NOTE: All load ratings are for static conditions and do not account for dynamic loading such as wind, water or seismic loads, unless otherwise noted.

The customer is responsible for:

- a. Conformance to all governing codes.
- b. The integrity of structures to which the products are attached, including their capability of safely accepting the loads imposed, as evaluated by a qualified engineer.
- c. Using appropriate industry standard hardware as noted above.

SAFETY INSTRUCTIONS:

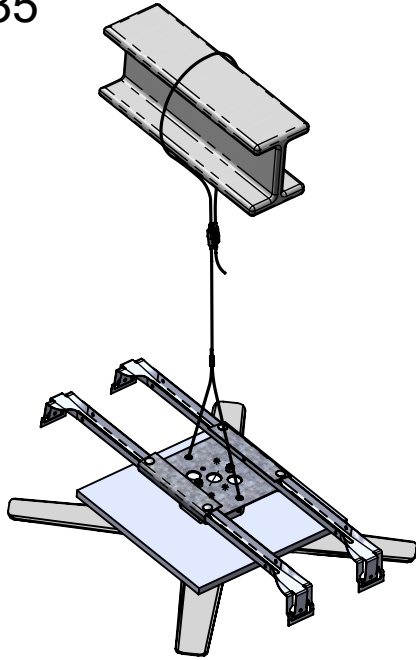
All governing codes and regulations and those required by the job site must be observed. Always use appropriate safety equipment such as eye protection, hard hat, and gloves as appropriate to the application.



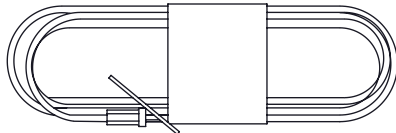
Pentair, CADDY, ERICO CADWELD, ERICO CRITEC, ERICO, ERIFLEX, and LENTON are owned by Pentair or its global affiliates. All other trademarks are the property of their respective owners. Pentair reserves the right to change specifications without prior notice.

FAN MOUNT FOR CEILING GRID SYSTEMS

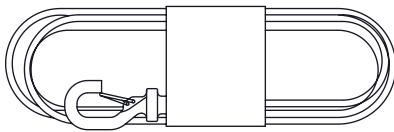
512HDFM70
512HDFM35



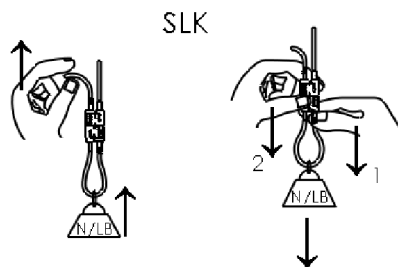
1. Attach 512HDFM70 or 512HDFM35 to ceiling grid.
2. Position box and bracket in desired location.
3. Attach CADDY SPEED LINK toggle support to bracket, 512HDFM70 or hook to 512HDFM35.
4. Attach cable to structural member-beam or joist. Remove all slack, adjust with tool-free locking device.
5. Attach fan-mounting hardware to box using screw provided.
6. Install fan per manufacture's instructions.



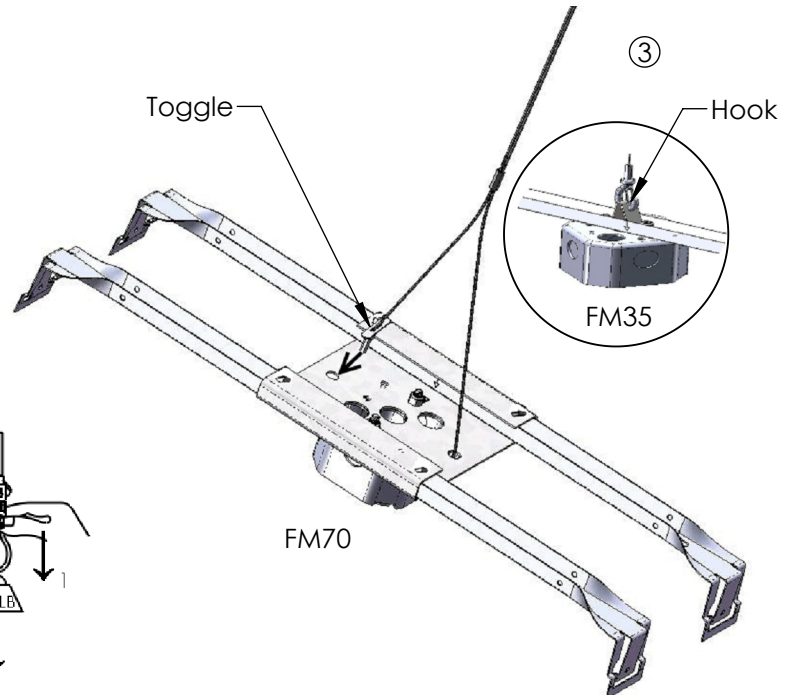
Wire/Toggle
512HDFM70



Wire/Hook
512HDFM35



SLK



Pentair, CADDY, ERICO CADWELD, ERICO CRITEC, ERICO, ERIFLEX, and LENTON are owned by Pentair or its global affiliates. All other trademarks are the property of their respective owners. Pentair reserves the right to change specifications without prior notice.