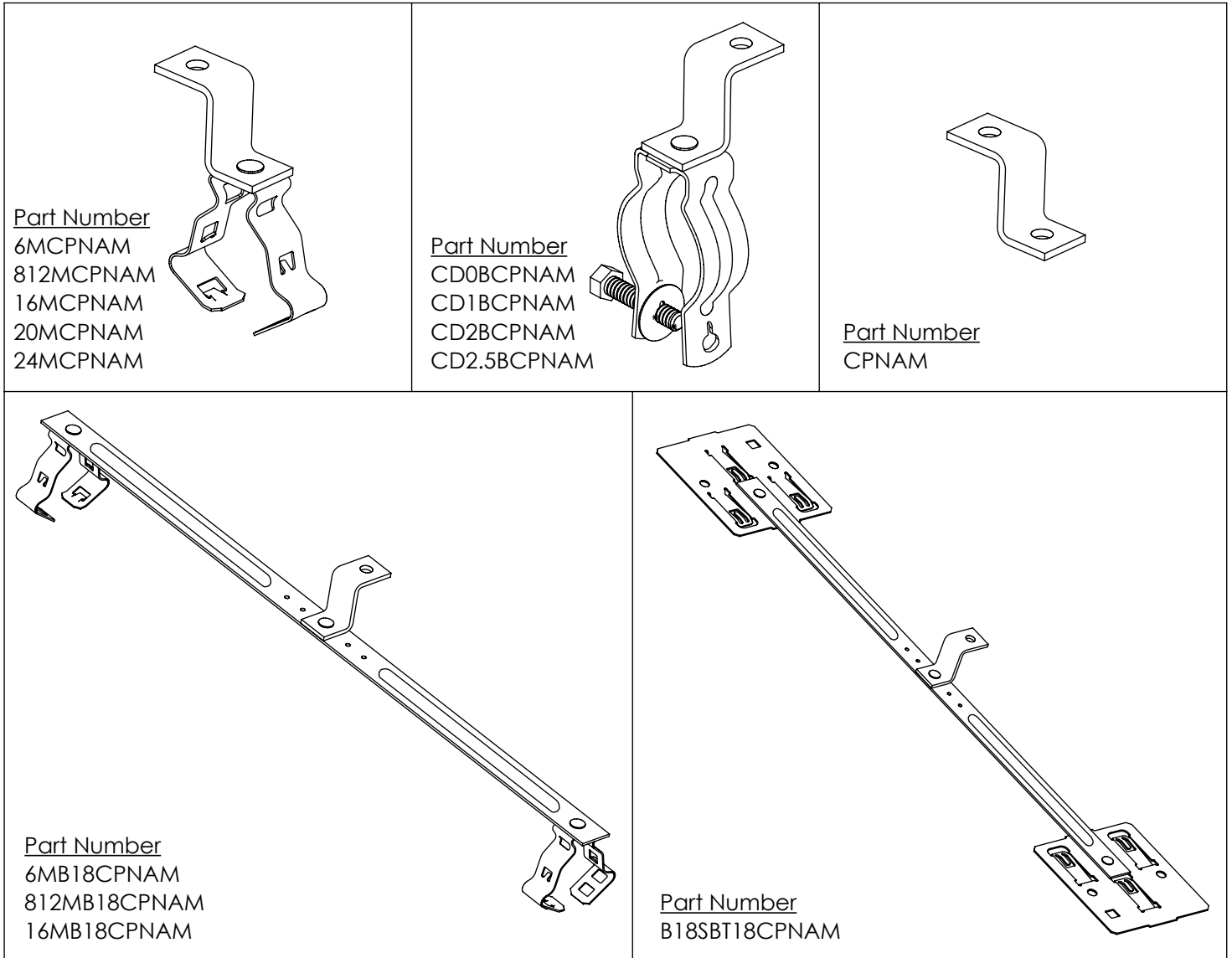


CPNAM Series

Decking Offset Clips and Box / Conduit Hangers



WARNING:

1. nVent products shall be installed and used only as indicated in nVent product instruction sheets and training materials. Instruction sheets are available at www.nVent.com and from your nVent customer service representative.
2. nVent products must never be used for a purpose other than the purpose for which they were designed or in a manner that exceeds specified load ratings.
3. All instructions must be completely followed to ensure proper and safe installation and performance.
4. Improper installation, misuse, misapplication or other failure to completely follow nVent's instructions and warnings may cause product malfunction, property damage, serious bodily injury and/or death, and void your warranty.
5. Products that are manufactured using spring steel components shall be used only in a non-corrosive indoor environment.
6. All pipe supports, hangers, intermediate components and structural attachments must ONLY be used as described herein and are NEVER to be used for any other purpose.

NOTE: All load ratings are for static conditions and do not account for dynamic loading such as wind, water or seismic loads, unless otherwise noted.

The customer is responsible for:

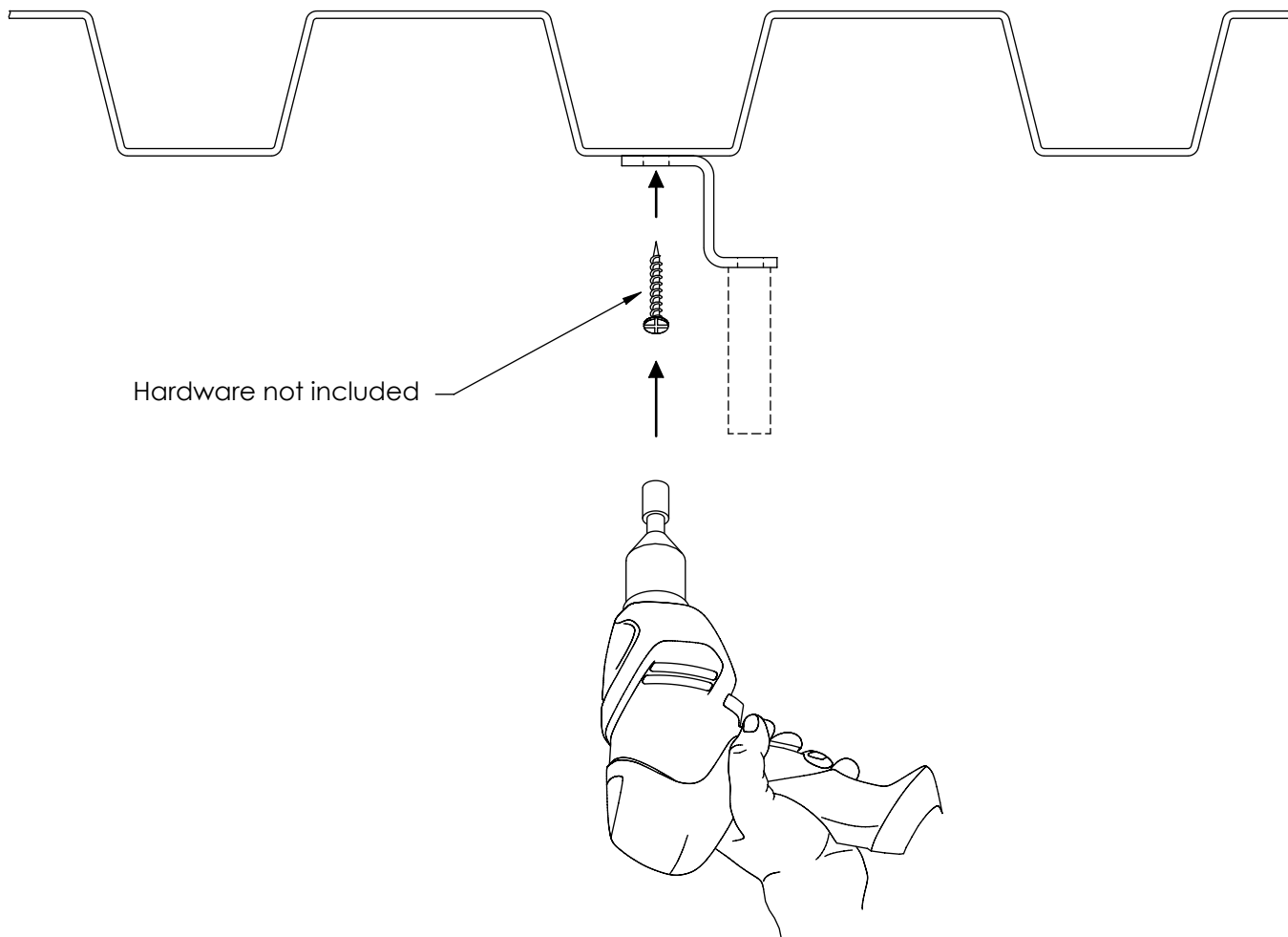
- a. Conformance to all governing codes.
- b. The integrity of structures to which the products are attached, including their capability of safely accepting the loads imposed, as evaluated by a qualified engineer.
- c. Using appropriate industry standard hardware as noted above.

SAFETY INSTRUCTIONS:

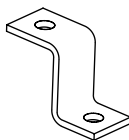
All governing codes and regulations and those required by the job site must be observed. Always use appropriate safety equipment such as eye protection, hard hat, and gloves as appropriate to the application.

nVent, nVent CADDY, nVent ERICO Cadweld, nVent ERICO Critec, nVent ERICO, nVent ERIFLEX, and nVent LENTON are owned by nVent or its global affiliates. All other trademarks are the property of their respective owners. nVent reserves the right to change specifications without prior notice.



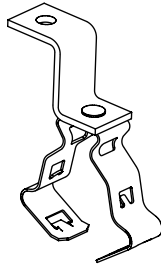


Part Number
CPNAM

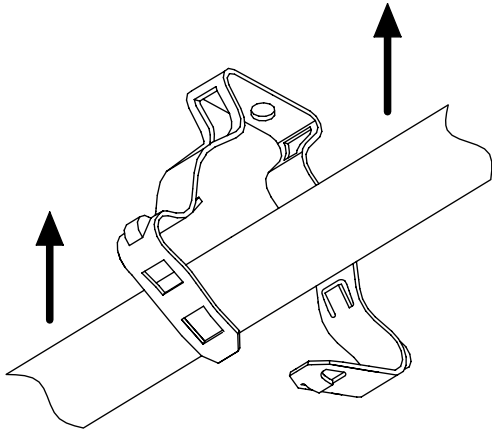


Static Load Limit 100 lbs [450 N]
Note: Static load limits apply to
nVent CADDY fasteners only

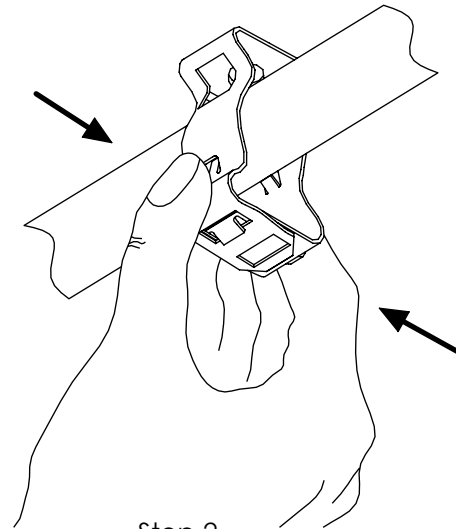
Part Number
 6MCPNAM
 812MCPNAM
 16MCPNAM
 20MCPNAM
 24MCPNAM



Static Load Limit 100lbs [450 N]
 Note: Static load limits apply to
 nVent CADDY fasteners only

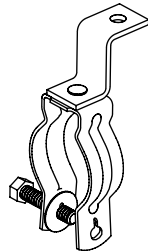


Step 1

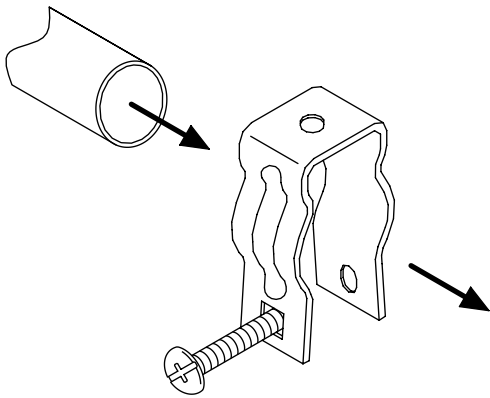


Step 2

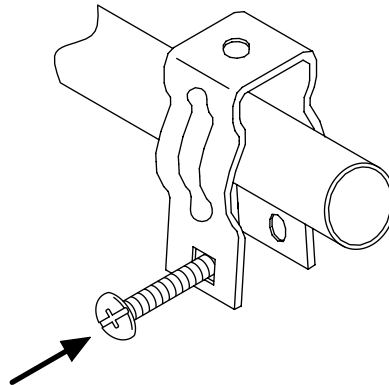
Part Number
 CD0BCPNAM
 CD1BCPNAM
 CD2BCPNAM
 CD2.5BCPNAM



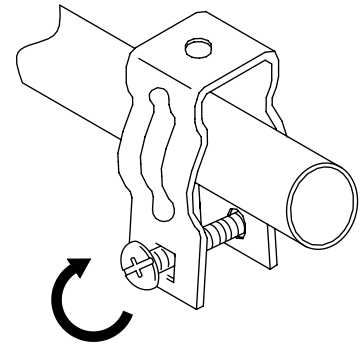
Static Load Limit 100 lbs [450 N]
 Note: Static load limits apply to
 nVent CADDY fasteners only



Step 1

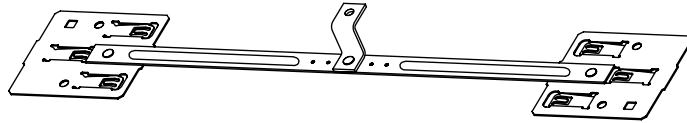


Step 2

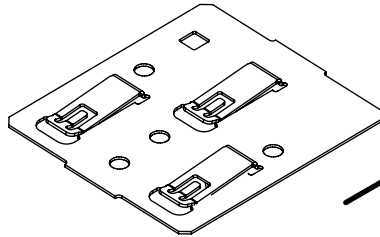
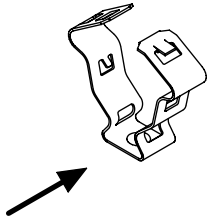


Step 3

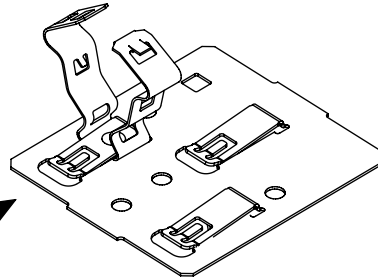
Part Number
B18SBT18CPNAM



Static Load Limit 50 lbs [225 N]
(Includes conduit and box)
Note: Static load limits apply to
nVent CADDY fasteners only



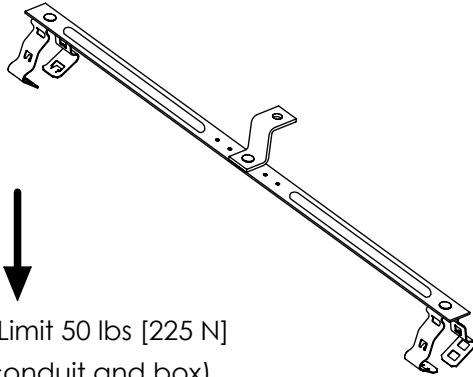
Step 1



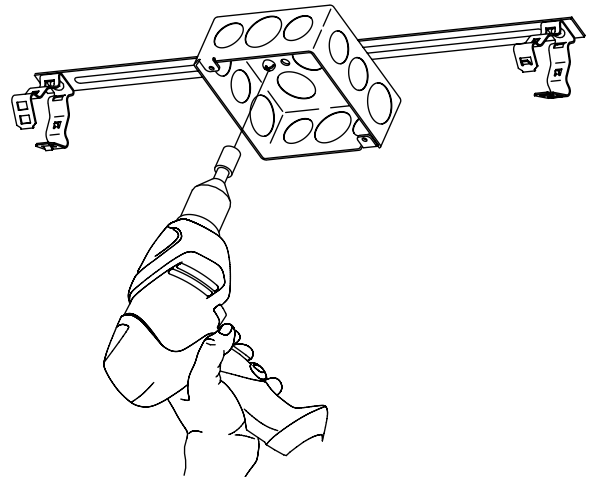
Step 2

*See additional assembly
instructions below in steps 1 - 3

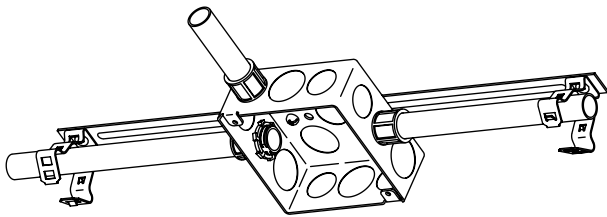
Part Number
6MB18CPNAM
812MB18CPNAM
16MB18CPNAM



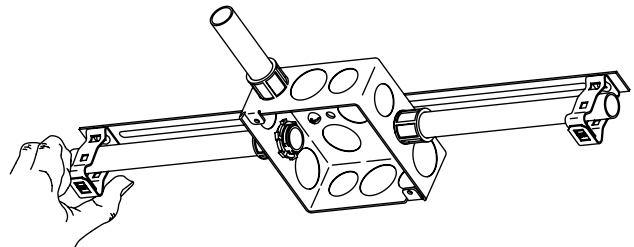
Static Load Limit 50 lbs [225 N]
(Includes conduit and box)
Note: Static load limits apply to
nVent CADDY fasteners only



Step 1 - Attach box with
self tapping screws (SMS8).



Step 2 - Install
conduit in box.



Step 3 - Finger snap clips
closed around conduit.