

CADDY® PYRAMID H-Series Support System

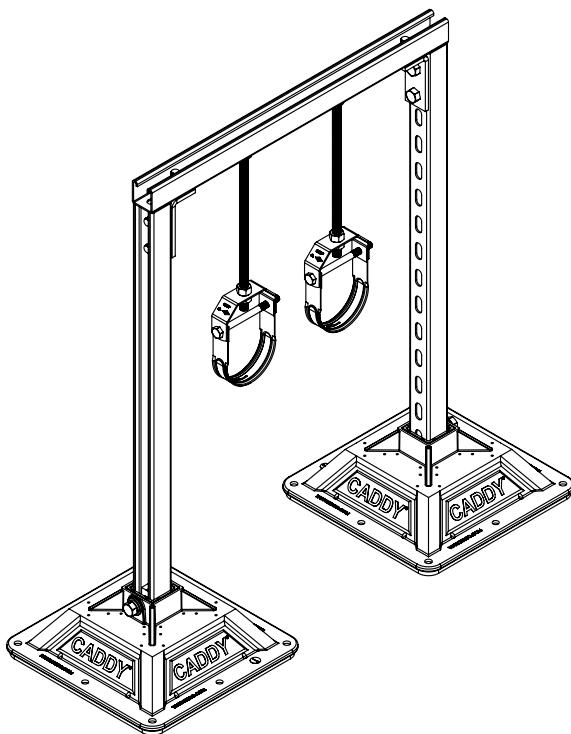
H-Frame Supports

GLOBAL PART NUMBER	DESCRIPTION	MAX STATIC LOAD*	
		LBS	N
PHK	RPS FRB 12X12IN, FM, H	1500 (750 per foot)	6670 (3335 per foot)
PHKR	RPS FRB 12X12IN, RBR, H	1500 (750 per foot)	6670 (3335 per foot)
360420	RPS FRB 314X314MM, FM, H	1500 (750 per foot)	6670 (3335 per foot)
360421	RPS FRB 314X314MM, RBR, H	1500 (750 per foot)	6670 (3335 per foot)

*Strut framing must be provided and evaluated by end user to ensure it can support applied loads.

*Maximum recommended load at 5.22psi (36KPa) roof loading. Contact project or roofing engineer for maximum allowable load on individual project roofing system.

ERICO does not recommend the use of CADDY® PYRAMID H-Series Supports on sloped rooftops with more than 1/12 pitch unless there is a structural attachment of the supports to the roof structure.



WARNING:

1. ERICO products shall be installed and used only as indicated in ERICO product instruction sheets and training materials. Instruction sheets are available at www.erico.com and from your ERICO customer service representative.
2. ERICO products must never be used for a purpose other than the purpose for which they were designed or in a manner that exceeds specified load ratings.
3. All instructions must be completely followed to ensure proper and safe installation and performance.
4. Improper installation, misuse, misapplication or other failure to completely follow ERICO's instructions and warnings may cause product malfunction, property damage, serious bodily injury and death.
5. Products that are manufactured using spring steel components shall be used only in a non-corrosive indoor environment.
6. All pipe supports, hangers, intermediate components and structural attachments must ONLY be used as described herein and are NEVER to be used for any other purpose.

NOTE: All load ratings are for static conditions and do not account for dynamic loading such as wind, water or seismic loads, unless otherwise noted.

The customer is responsible for:

- a. Conformance to all governing codes.
- b. The integrity of structures to which the products are attached, including their capability of safely accepting the loads imposed, as evaluated by a qualified engineer.
- c. Using appropriate industry standard hardware as noted above.

SAFETY INSTRUCTIONS:

All governing codes and regulations and those required by the job site must be observed. Always use appropriate safety equipment such as eye protection, hard hat, and gloves as appropriate to the application.



CADDY, CADWELD, CRITEC, ERICO, ERIFLEX, ERITECH, and LENTON are registered trademarks of ERICO International Corporation.

TECHNICAL SUPPORT:
www.erico.com

CFS441_B

1 OF 3

© 2011, 2013 ERICO International Corporation.

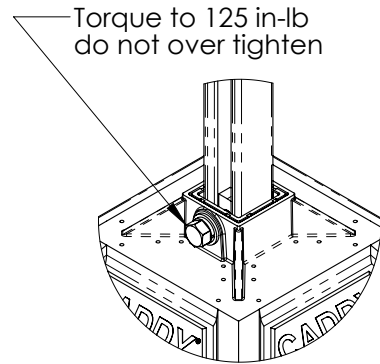
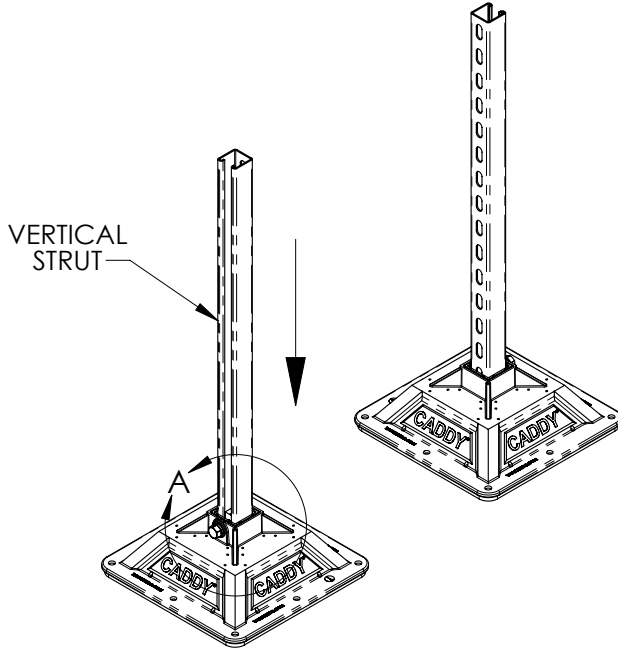
ERICO®

CADDY® PYRAMID H-Series Support System

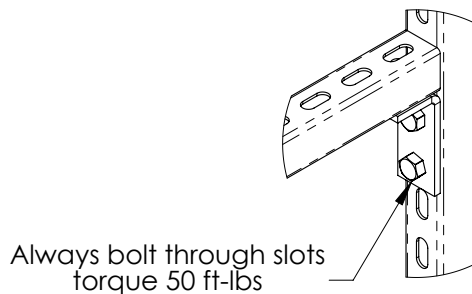
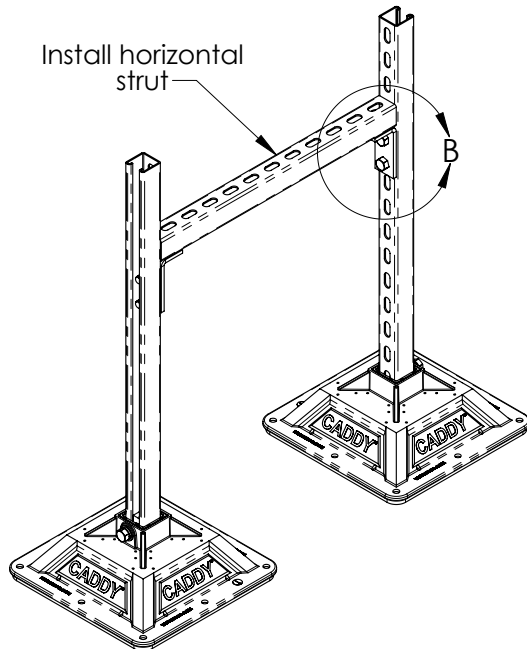
H-Frame Supports

Installation steps:

1. Sweep off loose gravel, if gravel exists.
2. Attach vertical strut members as shown.
3. Strut must be installed all the way down.
4. Level system as needed.



DETAIL A
SCALE 1 : 6



DETAIL B
SCALE 1 : 6



CADDY, CADWELD, CRITEC, ERICO, ERIFLEX, ERITECH, and LENTON are registered trademarks of ERICO International Corporation.

TECHNICAL SUPPORT:
www.erico.com

CFS441_B

2 OF 3

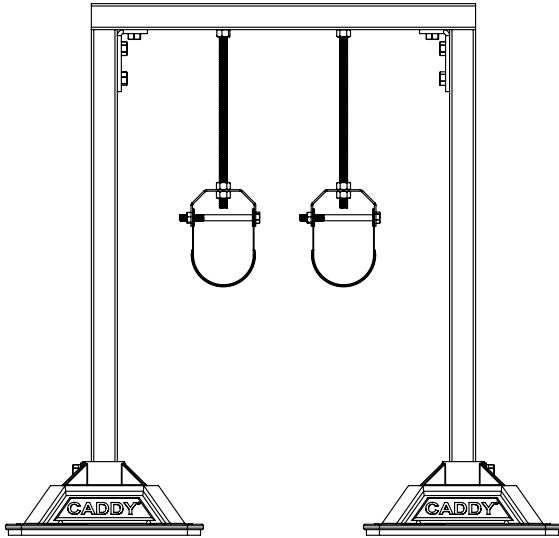
© 2011, 2013 ERICO International Corporation.



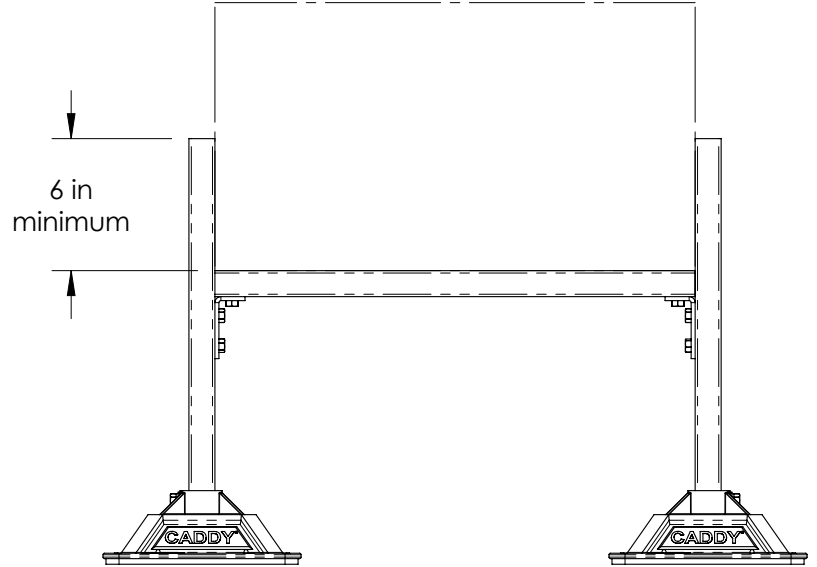
CADDY® PYRAMID H-Series Support System

H-Frame Supports

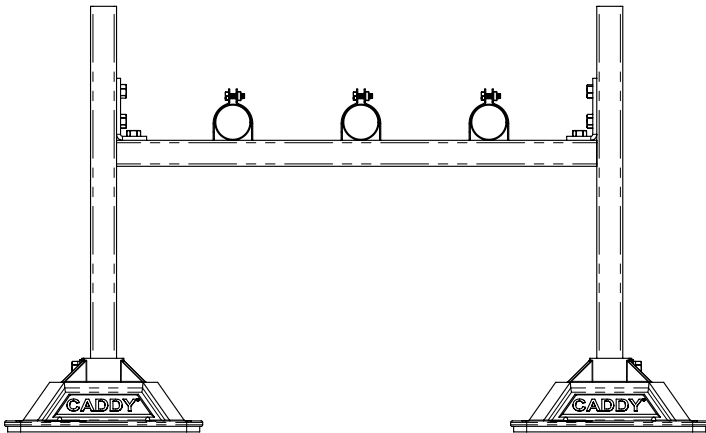
Configuration of pipe hanging



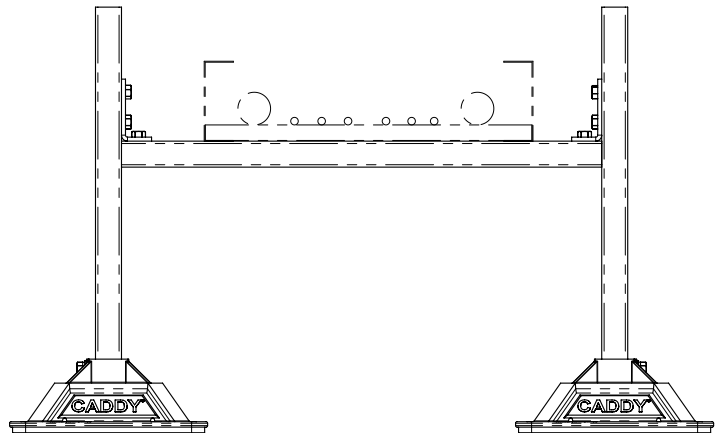
Configuration of duct mounting



Configuration of conduit/pipe supply



Configuration of Cable Tray



CADDY, CADWELD, CRITEC, ERICO, ERIFLEX, ERITECH, and LENTON are registered trademarks of ERICO International Corporation.

TECHNICAL SUPPORT:
www.erico.com

CFS441_B

3 OF 3

© 2011, 2013 ERICO International Corporation.

