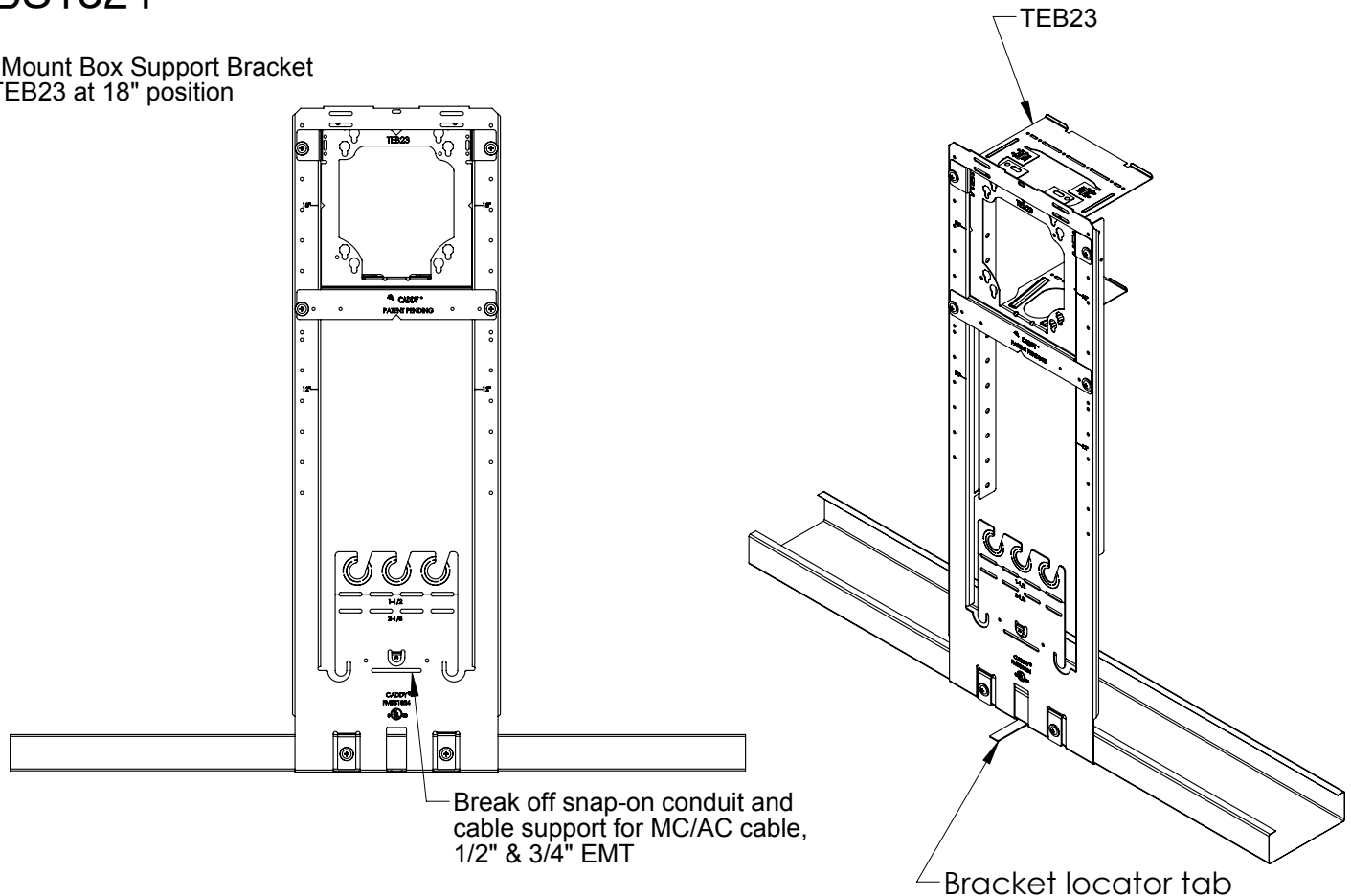


# Floor Mount Box Support Bracket

## FMBS1824

FIG.1  
Floor Mount Box Support Bracket  
with TEB23 at 18" position



### Features:

1. Use CADDY® part number TEB floor mount box support bracket.
2. Mount 4" and 4-11/16" boxes
3. For 4" stud depth use CADDY part number TEB4. For 6" stud depth add CADDY part number TEB6XT.
4. TEB bracket provides far side support from 2-1/2" through 6" stud depths.
5. Comes assembled at predetermined box centerline.
6. Mounts inside or under floor track.
7. Bracket locator tab locates center of bracket after drywall has been installed.
8. Additional TEB brackets can be mounted from sides of support bracket.
9. CADDY part numbers MP1S & MP2S can be mounted from side of bracket on same centerline as TEB bracket for low voltage applications.
10. Can use CADDY part number TEBS1624 Strap as additional support to studs if needed.
11. Notch in base to clear conduits or other obstacles under floor track.
12. Height indicator stamps on side of bracket.

### WARNING:

1. ERICO products shall be installed and used only as indicated in ERICO product instruction sheets and training materials. Instruction sheets are available at [www.erico.com](http://www.erico.com) and from your ERICO customer service representative.
2. ERICO products must never be used for a purpose other than the purpose for which they were designed or in a manner that exceeds specified load ratings.
3. All instructions must be completely followed to ensure proper and safe installation and performance.
4. Improper installation, misuse, misapplication or other failure to completely follow ERICO's instructions and warnings may cause product malfunction, property damage, serious bodily injury and death.
5. Products that are manufactured using spring steel components shall be used only in a non-corrosive indoor environment.
6. All pipe supports, hangers, intermediate components and structural attachments must ONLY be used as described herein and are NEVER to be used for any other purpose.

NOTE: All load ratings are for static conditions and do not account for dynamic loading such as wind, water or seismic loads, unless otherwise noted.

The customer is responsible for:

- a. Conformance to all governing codes.
- b. The integrity of structures to which the products are attached, including their capability of safely accepting the loads imposed, as evaluated by a qualified engineer.
- c. Using appropriate industry standard hardware as noted above.

### SAFETY INSTRUCTIONS:

All governing codes and regulations and those required by the job site must be observed.  
Always use appropriate safety equipment such as eye protection, hard hat, and gloves as appropriate to the application.

CADDY, CADWELD, CRITEC, ERICO, ERIFLEX, ERITECH, and LENTON are registered trademarks of ERICO International Corporation.

TECHNICAL SUPPORT:  
[www.erico.com](http://www.erico.com)

CFS443\_B

1 OF 6

© 2011 ERICO International Corporation

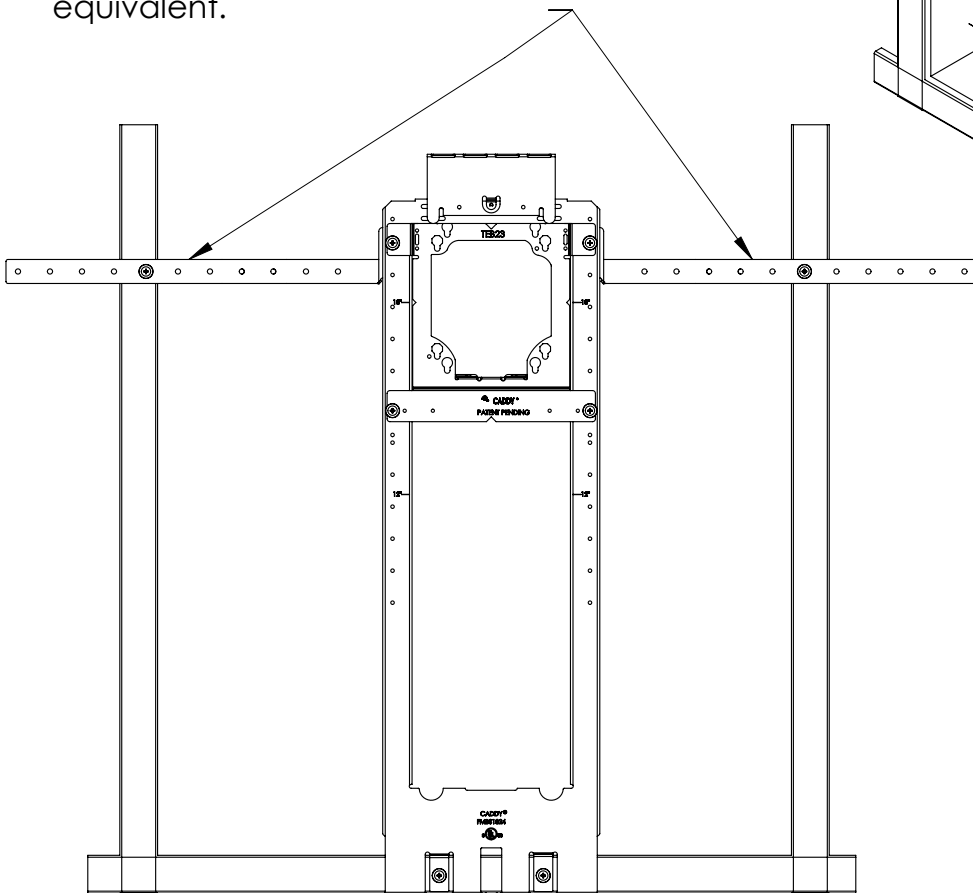
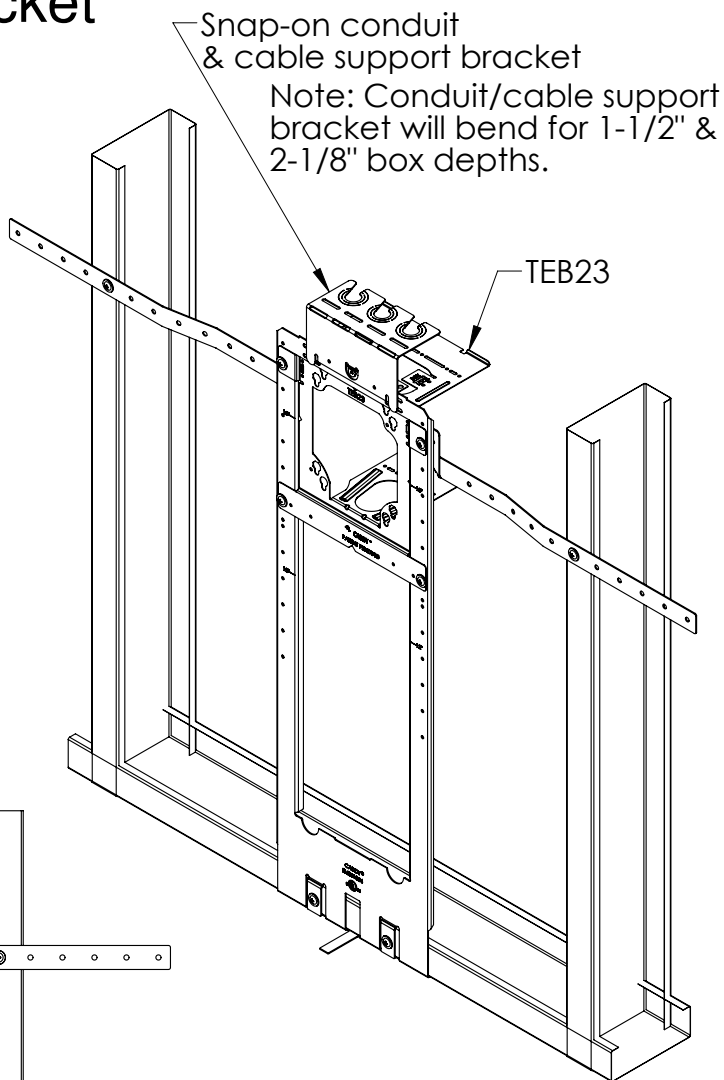
**ERICO**®



# Floor Mount Box Support Bracket FMBS1824

FIG.2  
Floor Mount Box Support Bracket  
with TEB23 at 18" position with conduit/cable  
support bracket

Fold out spanner bars  
for support between studs.  
Screw to stud, use CADDY®  
part number SMS8, or  
equivalent.



CADDY, CADWELD, CRITEC, ERICO, ERIFLEX, ERITECH, and LENTON are registered trademarks of ERICO International Corporation.

TECHNICAL SUPPORT:  
[www.erico.com](http://www.erico.com)

CFS443\_B 2 OF 6

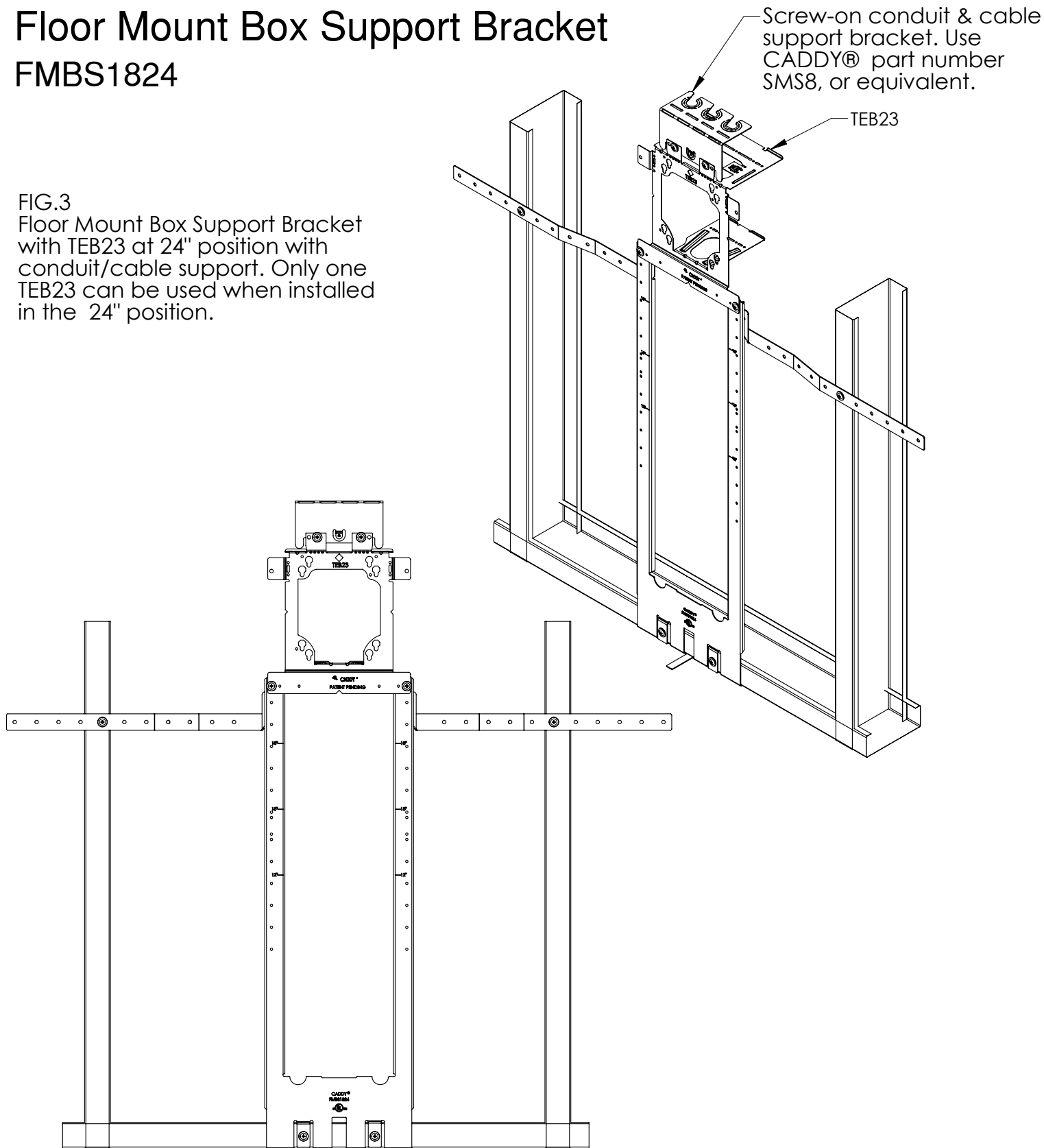
© 2011 ERICO International Corporation



# Floor Mount Box Support Bracket

## FMBS1824

FIG.3  
 Floor Mount Box Support Bracket  
 with TEB23 at 24" position with  
 conduit/cable support. Only one  
 TEB23 can be used when installed  
 in the 24" position.



CADDY, CADWELD, CRITEC, ERICO, ERIFLEX, ERITECH, and LENTON are registered trademarks of ERICO International Corporation.

TECHNICAL SUPPORT:  
[www.erico.com](http://www.erico.com)

CFS443\_B 3 OF 6

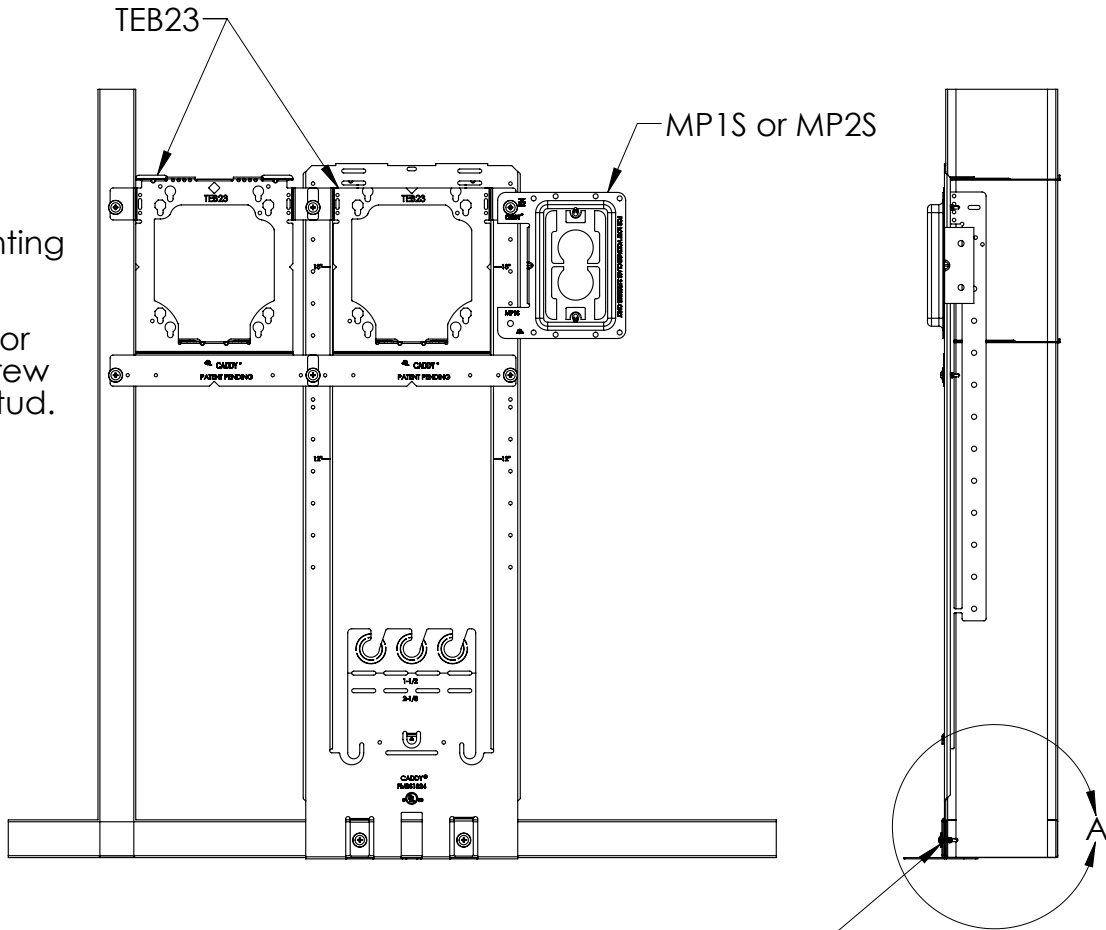
© 2011 ERICO International Corporation



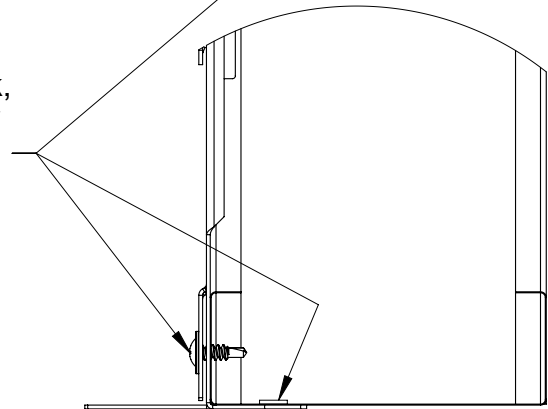
# Floor Mount Box Support Bracket FMBS1824

FIG.4  
Floor Mount Box Support Bracket  
with (2) TEB23 & (1) MP1S or MP2S  
at 18" position

Optional mounting  
method. Use  
CADDY® part  
number SMS8, or  
equivalent. Screw  
TEB23 tabs to stud.



Nail or screw to floor or edge of track,  
use CADDY® part number SMS8, or  
equivalent.



DETAIL A  
SCALE 1 : 2



CADDY, CADWELD, CRITEC, ERICO, ERIFLEX, ERITECH, and LENTON are registered trademarks of ERICO International Corporation.

TECHNICAL SUPPORT:  
www.erico.com

CFS443\_B 4 OF 6

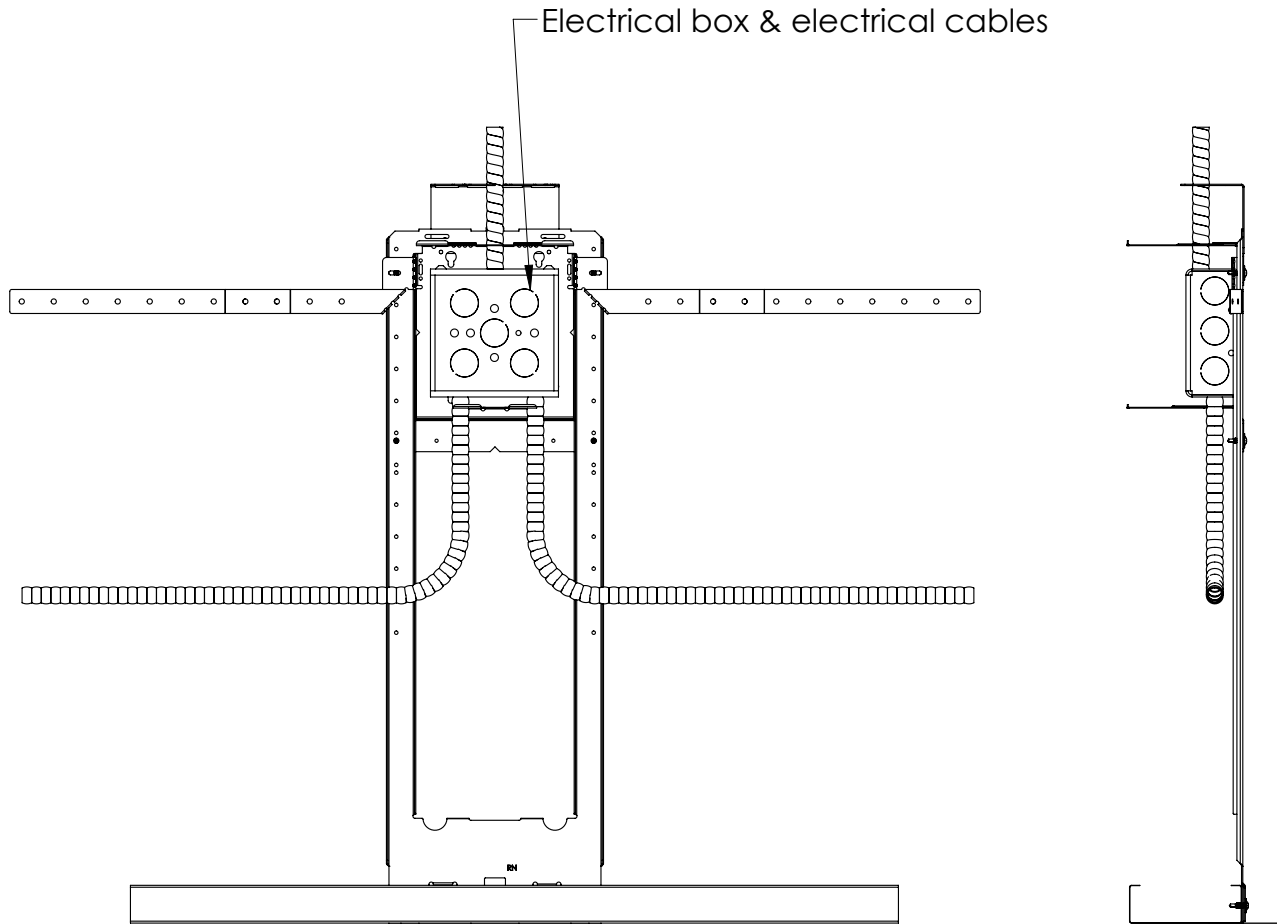
© 2011 ERICO International Corporation



# Floor Mount Box Support Bracket

## FMBS1824

FIG.5  
Floor Mount Box Support Bracket  
with TEB23 at 18" position with  
conduit/cable support bracket



CADDY, CADWELD, CRITEC, ERICO, ERIFLEX, ERITECH, and LENTON are registered trademarks of ERICO International Corporation.

TECHNICAL SUPPORT:  
[www.erico.com](http://www.erico.com)

CFS443\_B 5 OF 6

© 2011 ERICO International Corporation



# Floor Mount Box Support Bracket FMBS1824

FIG.6  
Floor Mount Box Support Bracket  
with (2) TEB23's

Additional screws required (not  
provided) use CADDY® part  
number SMS8, or equivalent.

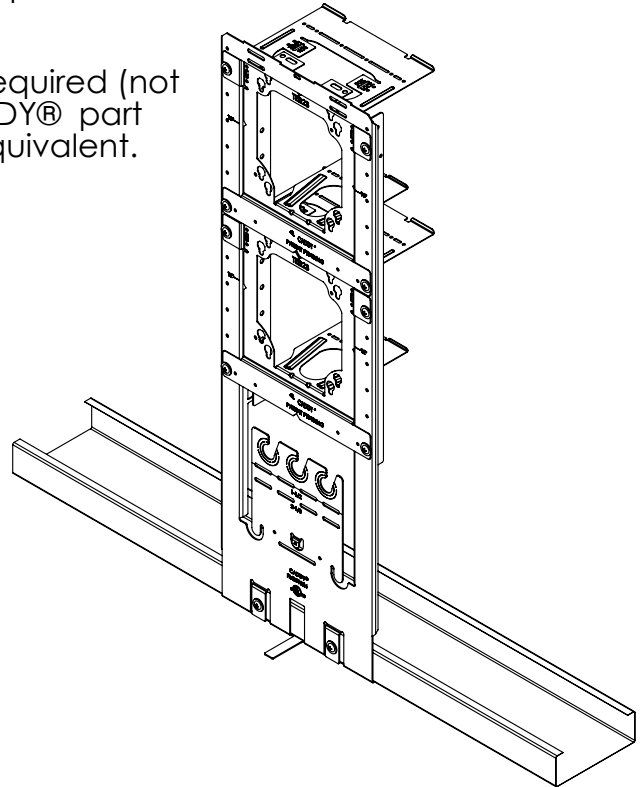
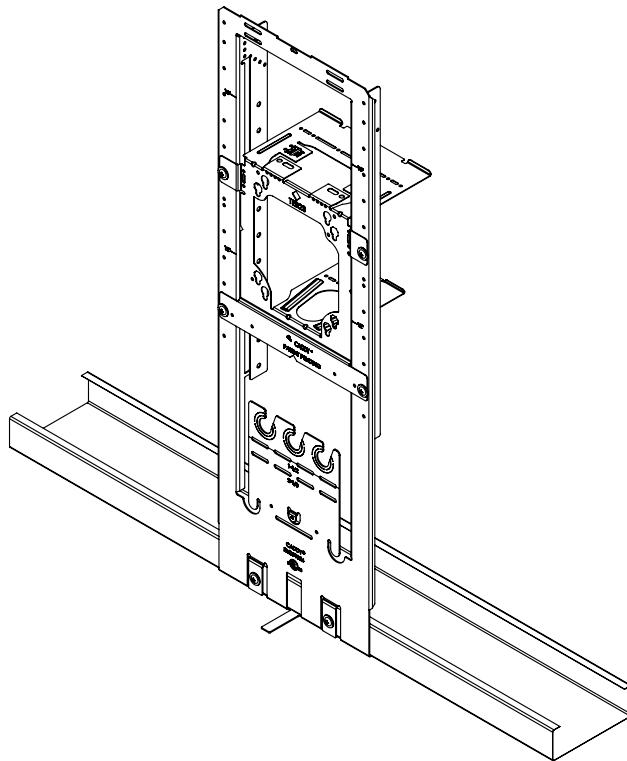


FIG.7  
Floor Mount Box Support Bracket  
with (1) TEB23 in an adjustable position



CADDY, CADWELD, CRITEC, ERICO, ERIFLEX, ERITECH, and LENTON are registered trademarks of ERICO International Corporation.

TECHNICAL SUPPORT:  
[www.erico.com](http://www.erico.com)

CFS443\_B 6 OF 6

© 2011 ERICO International Corporation

**ERICO**®