

# CSBBRS2EG

## Branch Line Restraint, Structural Attachment Fitting for Concrete or Wood

NA Part Number	EU Article Number	Rod Size	UL® Load Rating	FM® Load Rating		
				45° - 59°	60° - 74°	75° - 90°
CSBBRS2EG	---	3/8", 1/2"	425 lbs (1891N)	290 lbs (1290N)	200 lbs (890N)	210 lbs (935N)
CSBBRS2MEG	402240	M10, M12				

Rod Size	Root Dia.	Least Radius of Gyration r	Maximum Unbraced Length (L)			
			L/r = 100	L/r = 200	L/r = 300	L/r = 400*
3/8"	0.300"	0.075"	7"	14"	22"	30"
M10	7.94mm	1.99mm	198mm	397mm	595mm	794mm
1/2"	0.404"	0.101"	10"	20"	30"	40"
M12	9.60mm	2.40mm	240mm	480mm	720mm	960mm

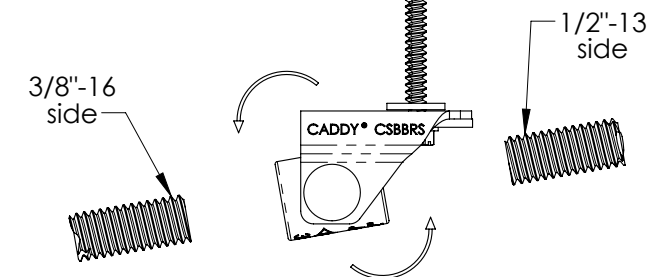
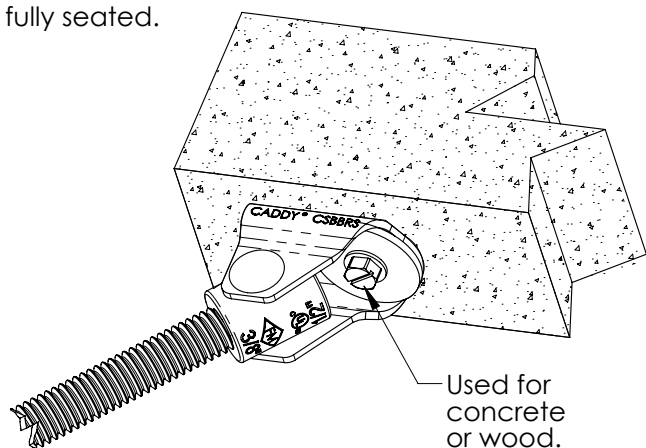
Reference: NFPA®13, (2007)

\*Reference: NFPA13, (2010)

1. Orient part in direction needed for installation.
2. For concrete, pre-drill using 3/16" taper bit drill at least 2-1/4" deep. Clear the hole of dust and other material. For installation in wood start at step 3.
3. Use standard screw gun with a depth sensitive nose piece or clutch for correct seating of fastener. Use a size 5/16" [8mm] hex head socket or flat head screwdriver. Drive the anchor in a continuous motion until fastener is fully seated.

Powers Fastener part number 2722sd. For more information go to [www.powers.com](http://www.powers.com)

Anchor NOT pre-qualified for use in cracked concrete.



4. Rotate barrel to 3/8"-16 side or 1/2"-13 side, based on threaded rod needed for application.

Branch Line Restraints are intended to be installed in accordance with NFPA®-13 and manufacturer's installation instructions.

**WARNING:**

1. ERICO products shall be installed and used only as indicated in ERICO product instruction sheets and training materials. Instruction sheets are available at [www.erico.com](http://www.erico.com) and from your ERICO customer service representative.
2. ERICO products must never be used for a purpose other than the purpose for which they were designed or in a manner that exceeds specified load ratings.
3. All instructions must be completely followed to ensure proper and safe installation and performance.
4. Improper installation, misuse, misapplication or other failure to completely follow ERICO's instructions and warnings may cause product malfunction, property damage, serious bodily injury and death.
5. Products that are manufactured using spring steel components shall be used only in a non-corrosive indoor environment.
6. All pipe supports, hangers, intermediate components and structural attachments must ONLY be used as described herein and are NEVER to be used for any other purpose.

NOTE: All load ratings are for static conditions and do not account for dynamic loading such as wind, water or seismic loads, unless otherwise noted.

The customer is responsible for:

- a. Conformance to all governing codes.
- b. The integrity of structures to which the products are attached, including their capability of safely accepting the loads imposed, as evaluated by a qualified engineer.
- c. Using appropriate industry standard hardware as noted above.

**SAFETY INSTRUCTIONS:**

All governing codes and regulations and those required by the job site must be observed. Always use appropriate safety equipment such as eye protection, hard hat, and gloves as appropriate to the application.

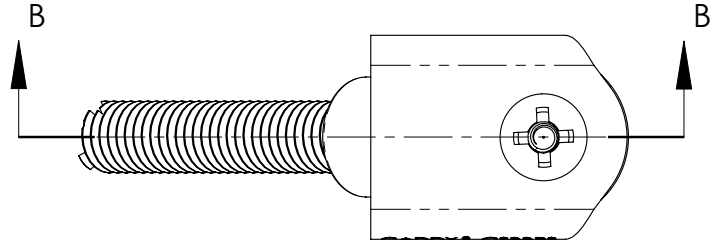
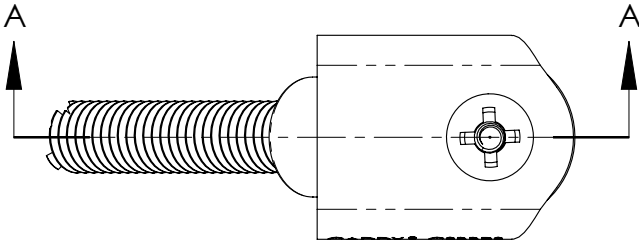
FM is a registered certification mark of FM Approvals LLC, LTD  
 NFPA is a registered trademark of National Fire Protection Association, Inc.  
 UL is a registered trademark of UL LLC

CADDY, CADWELD, CRITEC, ERICO, ERIFLEX, ERITECH, and LENTON are registered trademarks of ERICO International Corporation.

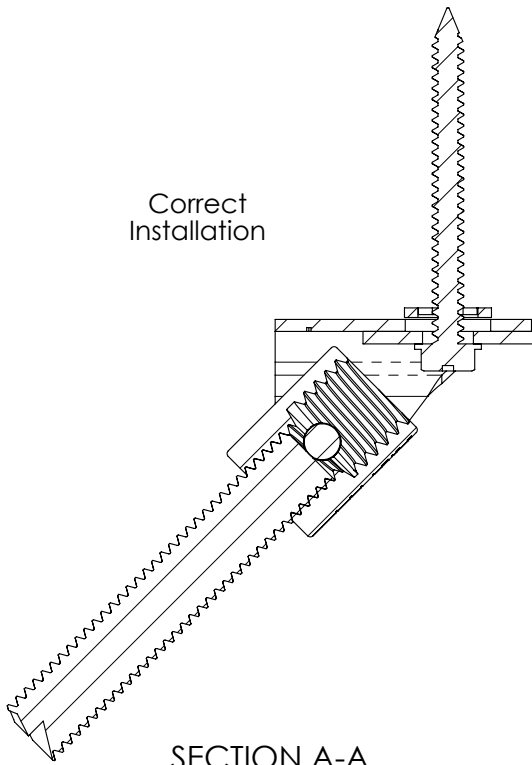


# CSBBRS2EG

## Branch Line Restraint, Structural Attachment Fitting for Concrete or Wood



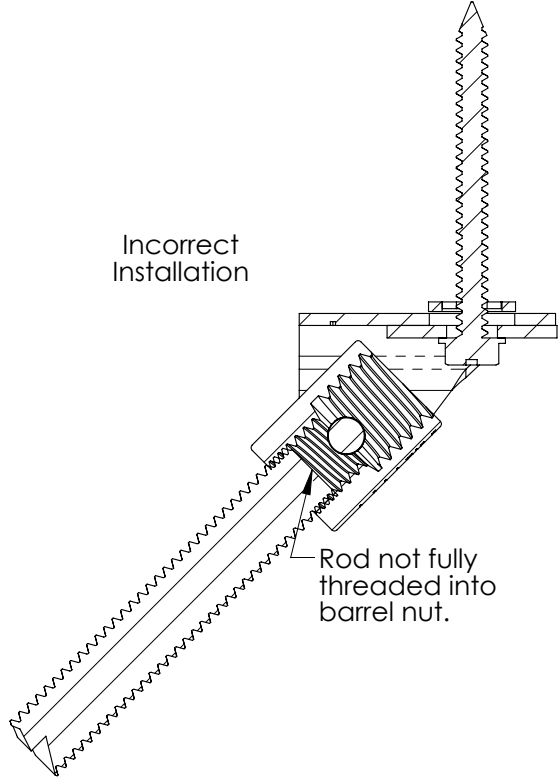
Correct Installation



SECTION A-A  
SCALE 1 : 1

5. Fully thread rod into barrel nut.

Incorrect Installation



SECTION B-B  
SCALE 1 : 1



CADDY, CADWELD, CRITEC, ERICO, ERIFLEX, ERITECH, and LENTON are registered trademarks of ERICO International Corporation.

TECHNICAL SUPPORT:  
[www.erico.com](http://www.erico.com)

CFS448\_E

2 OF 4

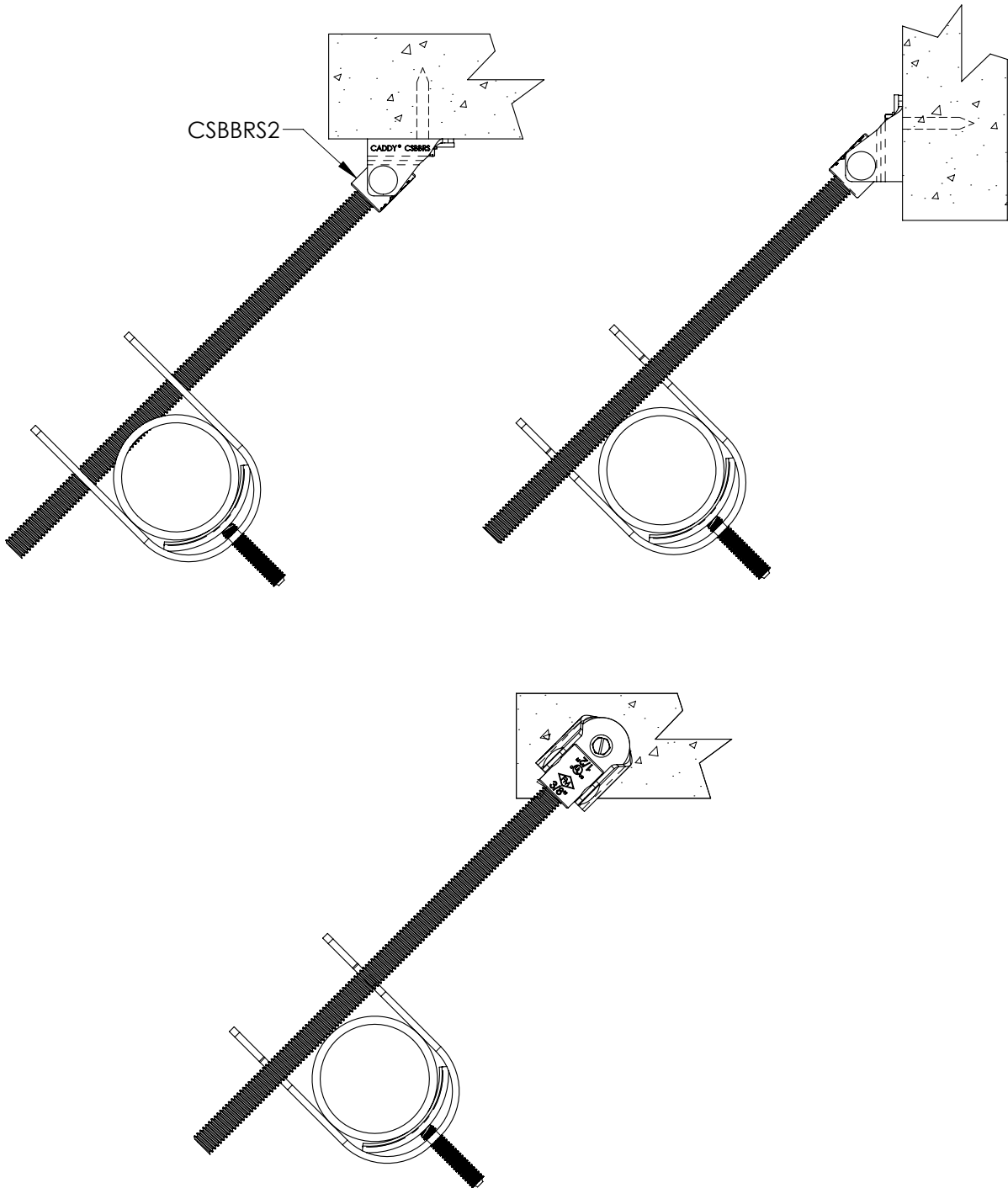
© 2011, 2012, 2013 ERICO International Corporation.



# CSBBRS2EG

## Branch Line Restraint, Structural Attachment Fitting for Concrete or Wood

Branch Line Restraint System attached to concrete



This product is intended to be used as a restraint and not a hanger.

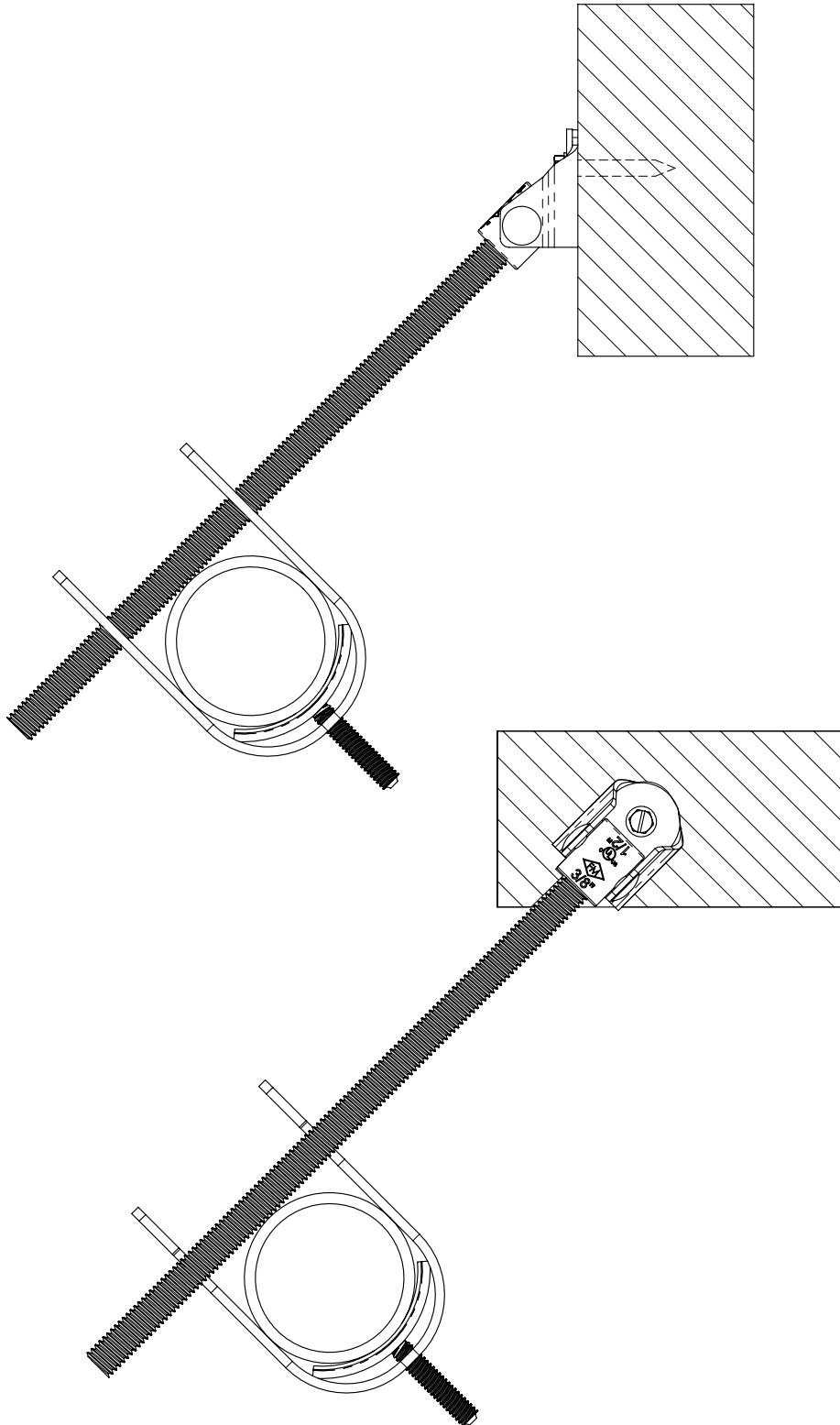
CADDY, CADWELD, CRITEC, ERICO, ERIFLEX, ERITECH, and LENTON are registered trademarks of ERICO International Corporation.



# CSBBRS2EG

## Branch Line Restraint, Structural Attachment Fitting for Concrete or Wood

Branch Line Restraint System attached to wood.



This product is intended to be used as a restraint and not a hanger.

CADDY, CADWELD, CRITEC, ERICO, ERIFLEX, ERITECH, and LENTON are registered trademarks of ERICO International Corporation.

