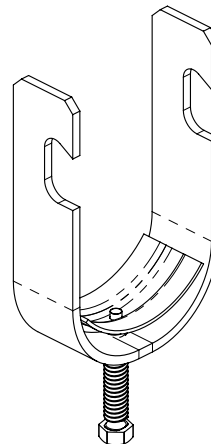


CSBBRP

Branch Line Restraint Device

Global Part Number	Local Part Number	Service Pipe Size	
		NPS	mm
CSBBRP100EG	404477	1"	25
CSBBRP125EG	404478	1-1/4"	32
CSBBRP150EG	404479	1-1/2"	40
CSBBRP200EG	404480	2"	50



Global Part Number	Local Part Number	Threaded Rod Brace Member		UL® Load Rating		FM® Load Rating			
		Unified Thread	Metric Thread	Lightwall	Schedule 10/40	Lightwall/Schedule 10/40			
						30° - 44°	45° - 59°	60° - 74°	75° - 90°
CSBBRP100EG	404477	3/8"-16 UNC	M10 x 1.5	475 lbs [2113N]	475 lbs [2113N]	120 lbs [535N]	170 lbs [755N]	210 lbs [935N]	230 lbs [1025N]
		1/2"-13 UNC	M12 x 1.75	475 lbs [2113N]	475 lbs [2113N]	140 lbs [625N]	190 lbs [845N]	240 lbs [935N]	270 lbs [1200N]
CSBBRP125EG	404478	3/8"-16 UNC	M10 x 1.5	300 lbs [1334]	475 lbs [2113N]	120 lbs [535N]	170 lbs [755N]	210 lbs [935N]	230 lbs [1025N]
		1/2"-13 UNC	M12 x 1.75	300 lbs [1334]	475 lbs [2113N]	140 lbs [625N]	190 lbs [845N]	240 lbs [935N]	270 lbs [1200N]
CSBBRP150EG	404479	3/8"-16 UNC	M10 x 1.5	300 lbs [1334]	475 lbs [2113N]	140 lbs [625N]	190 lbs [845N]	240 lbs [935N]	270 lbs [1200N]
		1/2"-13 UNC	M12 x 1.75	300 lbs [1334]	475 lbs [2113N]	110 lbs [490N]	150 lbs [665N]	190 lbs [845N]	210 lbs [935N]
CSBBRP200EG	404480	3/8"-16 UNC	M10 x 1.5	300 lbs [1334]	475 lbs [2113N]	140 lbs [625N]	190 lbs [845N]	240 lbs [935N]	270 lbs [1200N]
		1/2"-13 UNC	M12 x 1.75	300 lbs [1334]	475 lbs [2113N]	110 lbs [490N]	150 lbs [665N]	190 lbs [845N]	210 lbs [935N]

UL Listed with Lightwall (Commonly referred to as Schedule 7) Dyna-Flow®

FM Load rating for Schedule 40 may be applied to GB/T 3091, EN 10255 (Heavy) (DIN 2441) and JIS G3454 pipe.
FM Load rating for Schedule 10 may be applied to GB/T 3091, EN 10255 (Medium or Heavy) and FM Approved Lightwall Pipe and JIS G3452 pipe.

FM Load rating for Lightwall may also be applied to GB/T 8163 and EN 10220 (DIN 2448).

Rod Size	Root Diameter	Least Radius of Gyration (r)	Maximum Unbraced Length (L)			
			L/r = 100	L/r = 200	L/r = 300	L/r = 400*
3/8"	0.300"	0.075"	7"	14"	22"	30"
M10	7.94mm	1.99mm	198mm	397mm	595mm	794mm
1/2"	0.404"	0.101"	10"	20"	30"	40"
M12	9.60mm	2.40mm	240mm	480mm	720mm	960mm

Restraint devices are intended to be installed in accordance with NFPA®-13 and the manufacturer's installation instructions.

WARNING:

1. nVent products shall be installed and used only as indicated in nVent product instruction sheets and training materials. Instruction sheets are available at www.nVent.com and from your nVent customer service representative.
2. nVent products must never be used for a purpose other than the purpose for which they were designed or in a manner that exceeds specified load ratings.
3. All instructions must be **completely** followed to ensure proper and safe installation and performance.
4. Improper installation, misuse, misapplication or other failure to completely follow nVent's instructions and warnings may cause product malfunction, property damage, serious bodily injury and/or death, and void your warranty.
5. Products that are manufactured using spring steel components shall be used only in a non-corrosive indoor environment.
6. All pipe supports, hangers, intermediate components and structural attachments must **ONLY** be used as described herein and are **NEVER** to be used for any other purpose.

NOTE: All load ratings are for static conditions and do not account for dynamic loading such as wind, water or seismic loads, unless otherwise noted.

The customer is responsible for:

- a. Conformance to all governing codes.
- b. The integrity of structures to which the products are attached, including their capability of safely accepting the loads imposed, as evaluated by a qualified engineer.
- c. Using appropriate industry standard hardware as noted above.

SAFETY INSTRUCTIONS:

All governing codes and regulations and those required by the job site must be observed. Always use appropriate safety equipment such as eye protection, hard hat, and gloves as appropriate to the application.

Dyna-Flow is a registered trademark of Allied Tube and Conduit Corporation.

FM is a registered certification mark of FM Approvals LLC, LTD.

NFPA is a registered trademark of National Fire Protection Association, Inc.

UL is a registered trademark of UL LLC.

nVent, nVent CADDY, nVent ERICO Cadweld, nVent ERICO Critec, nVent ERICO, nVent ERIFLEX, and nVent LENTON are owned by nVent or its global affiliates. All other trademarks are the property of their respective owners. nVent reserves the right to change specifications without prior notice.

TECHNICAL SUPPORT:
www.nVent.com

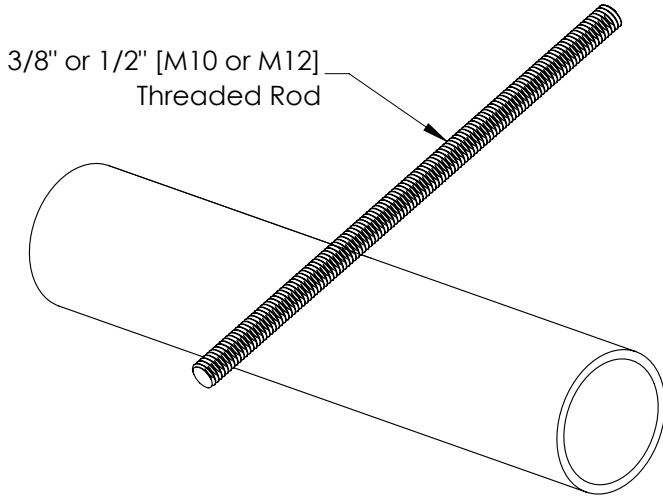
CFS449_G

1 OF 7

© 2011 - 2019 nVent All Rights Reserved

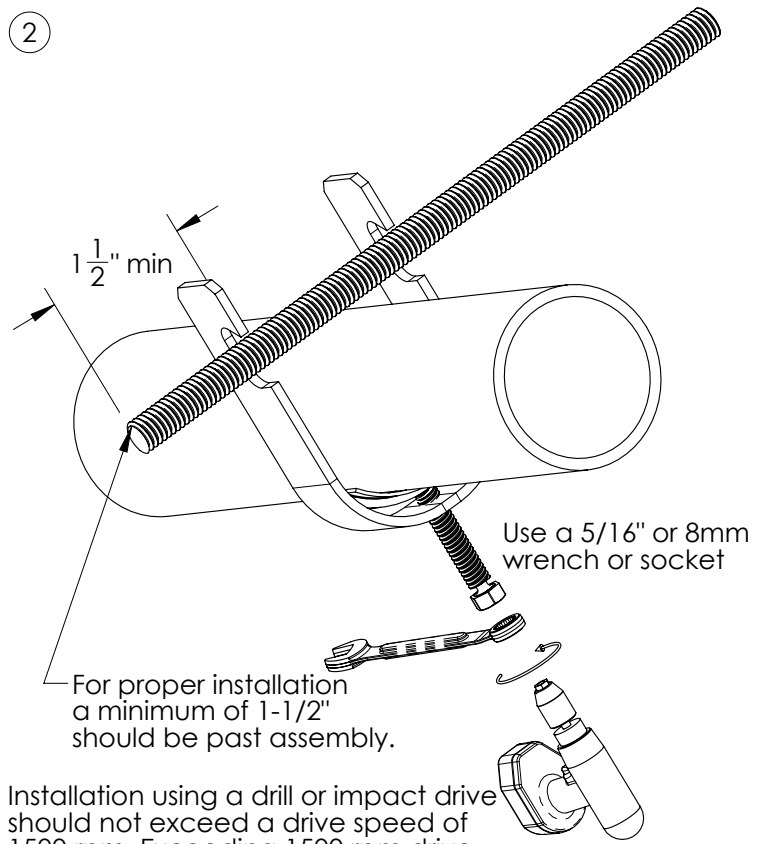


①



Some slight bending of threaded rod is acceptable and will not harm the performance or installation of the part. Rod can be installed on top or bottom of pipe.

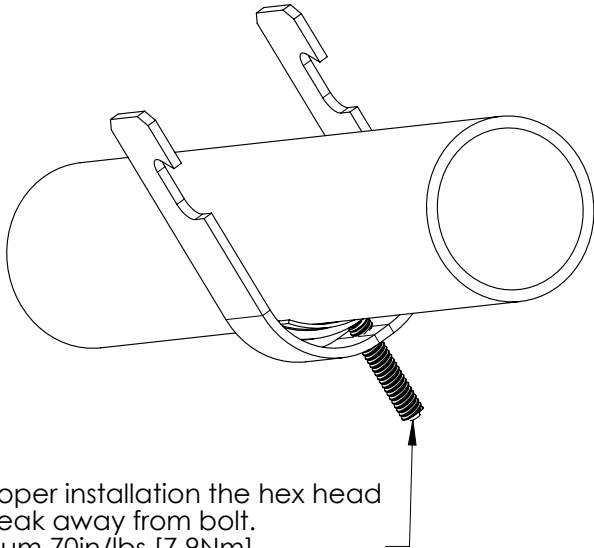
②



For proper installation a minimum of 1-1/2" should be past assembly.

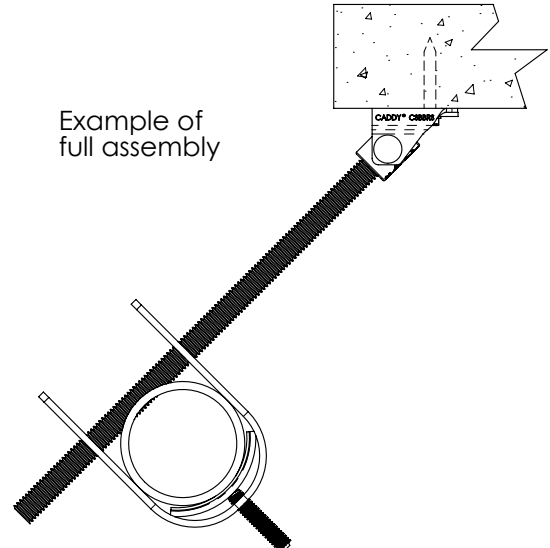
Installation using a drill or impact drive should not exceed a drive speed of 1500 rpm. Exceeding 1500 rpm drive speed may cause stripping of the thread.

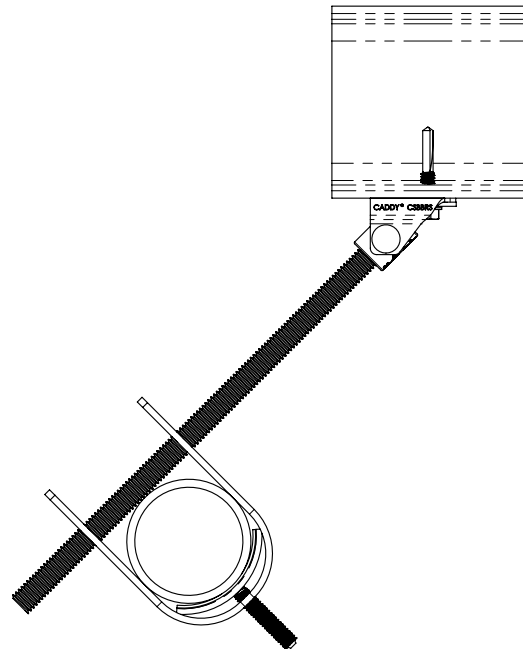
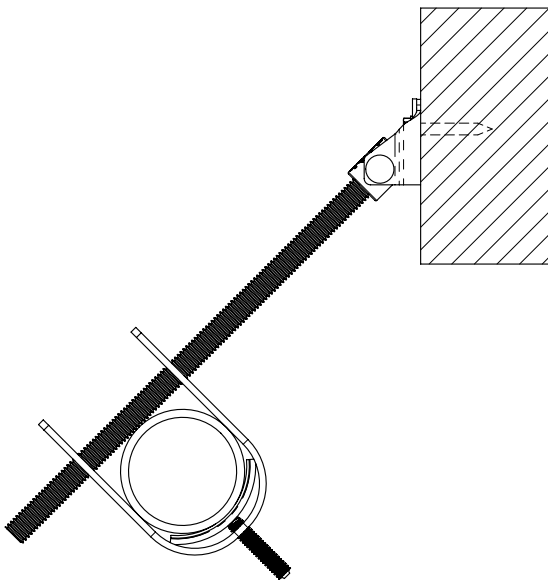
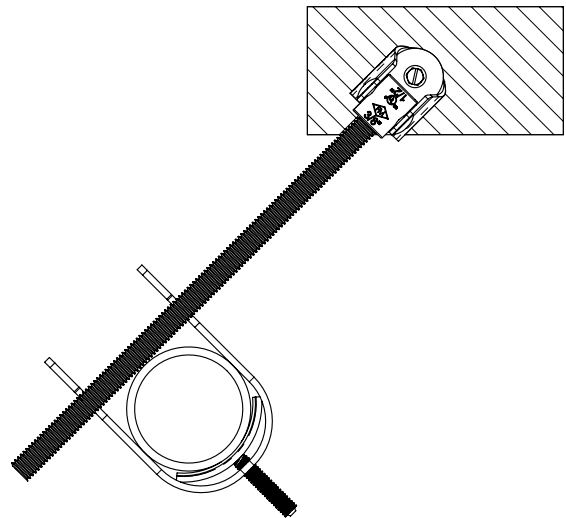
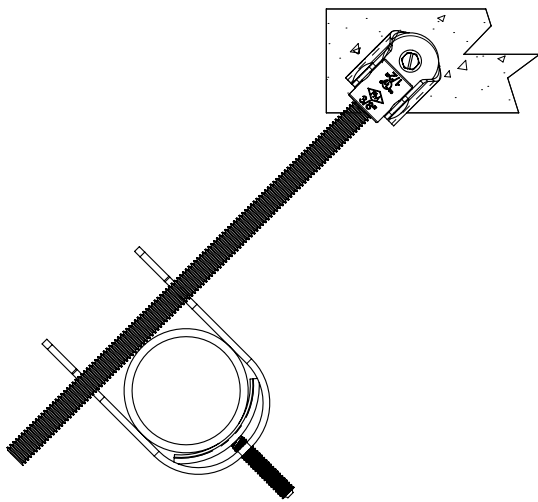
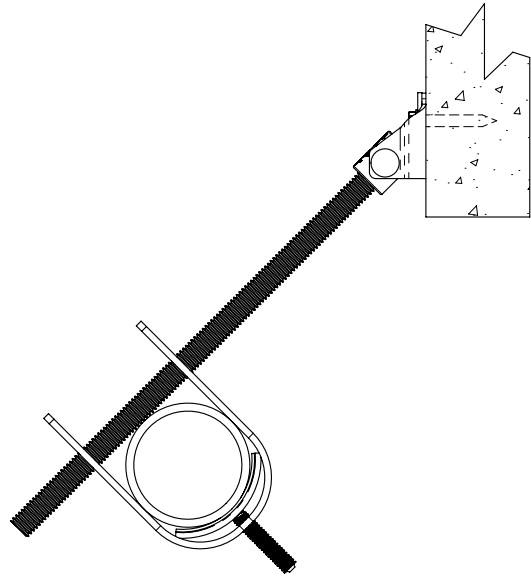
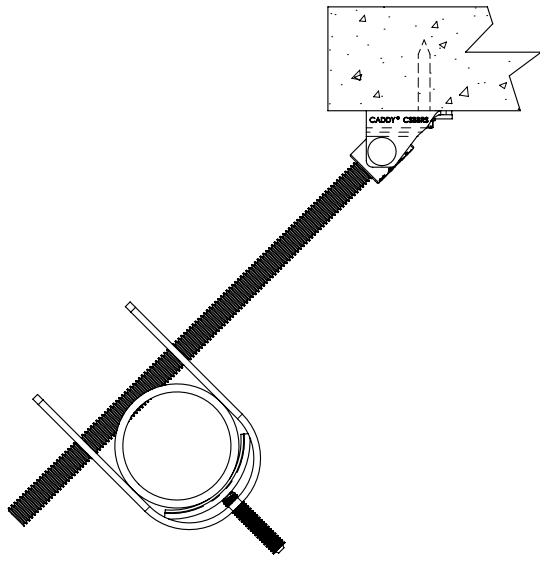
③



For proper installation the hex head will break away from bolt. Minimum 70in/lbs [7.9Nm]

④





This product is intended to be used as a restraint and not a hanger.

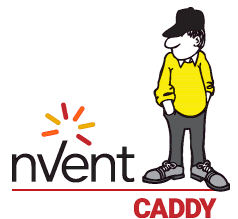
nVent, nVent CADDY, nVent ERICO Cadweld, nVent ERICO Critec, nVent ERICO, nVent ERIFLEX, and nVent LENTON are owned by nVent or its global affiliates. All other trademarks are the property of their respective owners. nVent reserves the right to change specifications without prior notice.

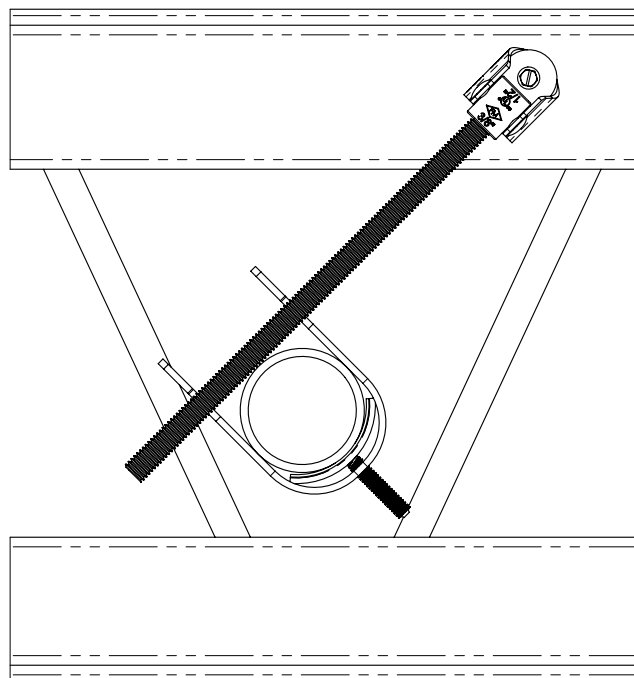
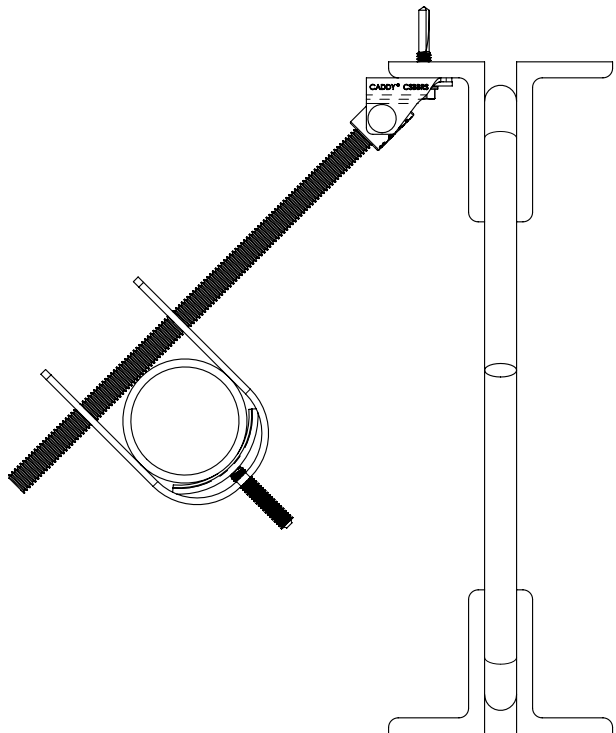
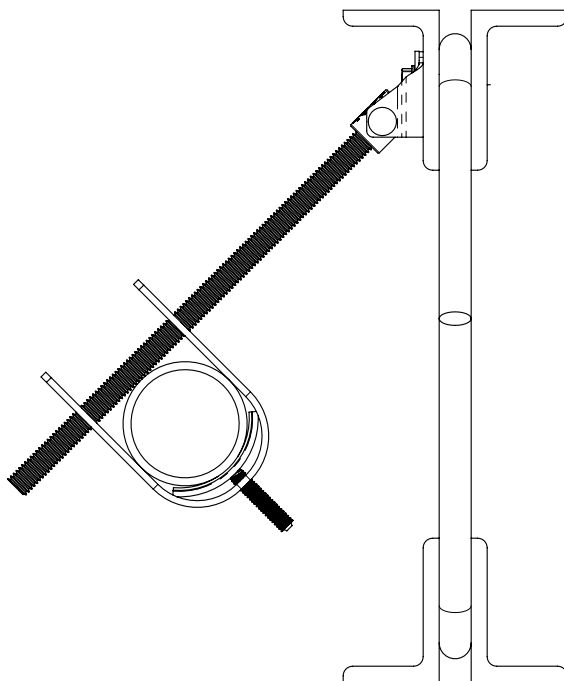
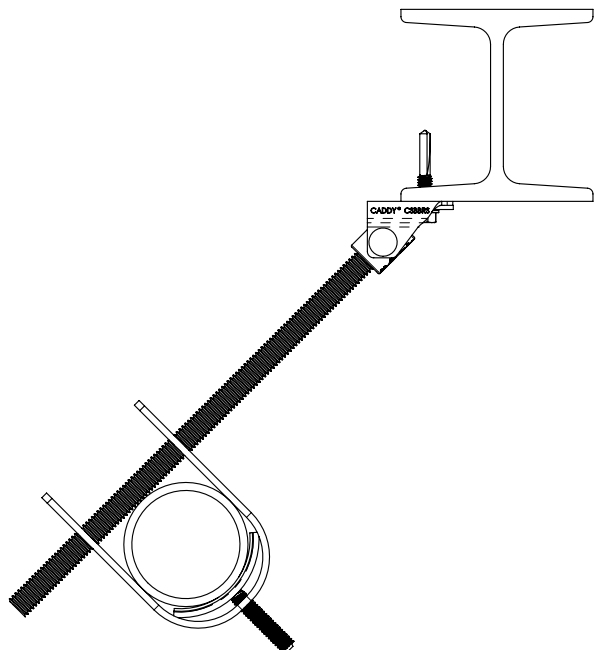
TECHNICAL SUPPORT:
www.nVent.com

CFS449_G

3 OF 7

© 2011 - 2019 nVent All Rights Reserved





This product is intended to be used as a restraint and not a hanger.

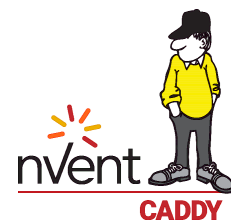
nVent, nVent CADDY, nVent ERICO Cadweld, nVent ERICO Critec, nVent ERICO, nVent ERIFLEX, and nVent LENTON are owned by nVent or its global affiliates. All other trademarks are the property of their respective owners. nVent reserves the right to change specifications without prior notice.

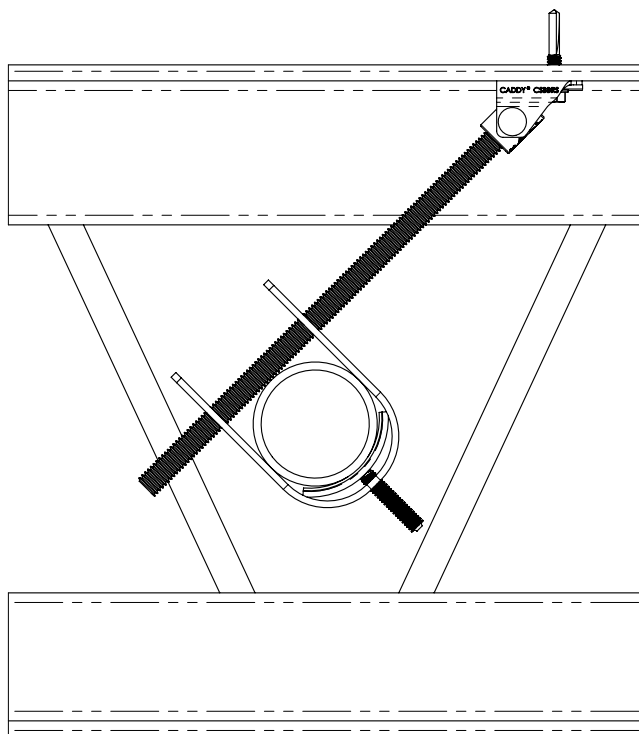
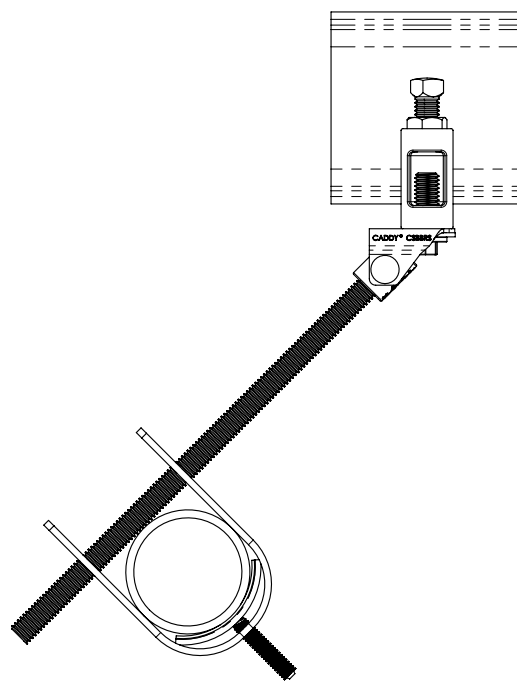
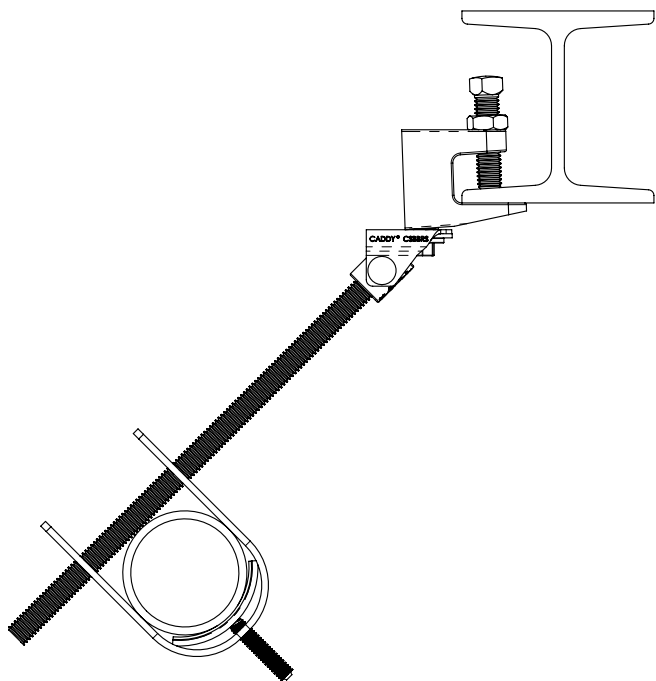
TECHNICAL SUPPORT:
www.nVent.com

CFS449_G

4 OF 7

© 2011 - 2019 nVent All Rights Reserved





This product is intended to be used as a restraint and not a hanger.

nVent, nVent CADDY, nVent ERICO Cadweld, nVent ERICO Critec, nVent ERICO, nVent ERIFLEX, and nVent LENTON are owned by nVent or its global affiliates. All other trademarks are the property of their respective owners. nVent reserves the right to change specifications without prior notice.

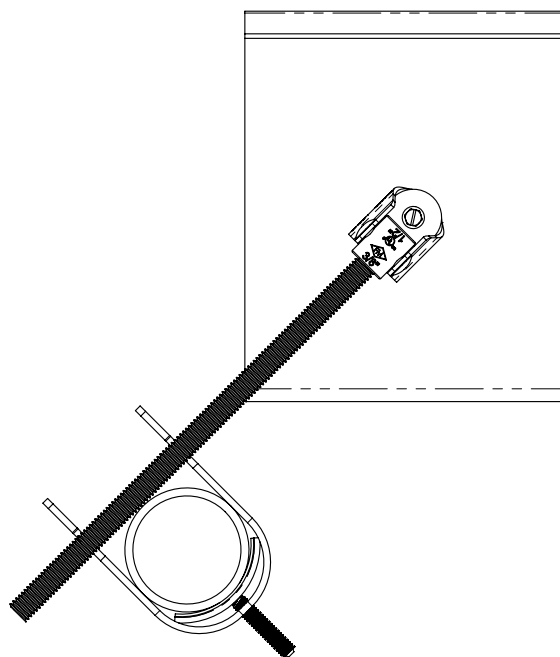
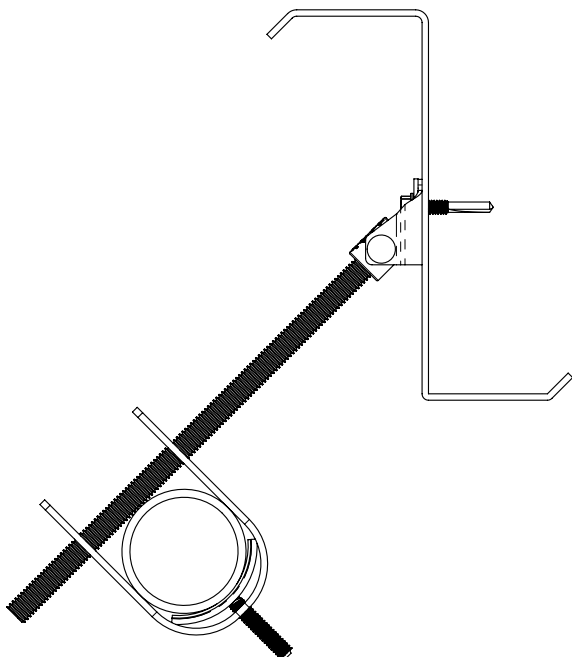
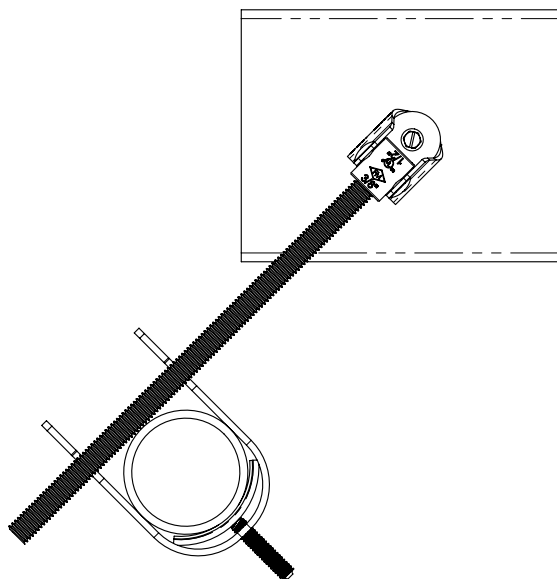
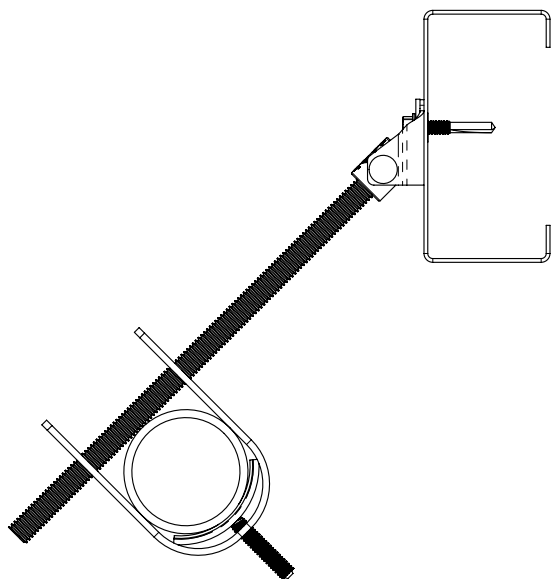
TECHNICAL SUPPORT:
www.nVent.com

CFS449_G

5 OF 7

© 2011 - 2019 nVent All Rights Reserved





This product is intended to be used as a restraint and not a hanger.

nVent, nVent CADDY, nVent ERICO Cadweld, nVent ERICO Critec, nVent ERICO, nVent ERIFLEX, and nVent LENTON are owned by nVent or its global affiliates. All other trademarks are the property of their respective owners. nVent reserves the right to change specifications without prior notice.

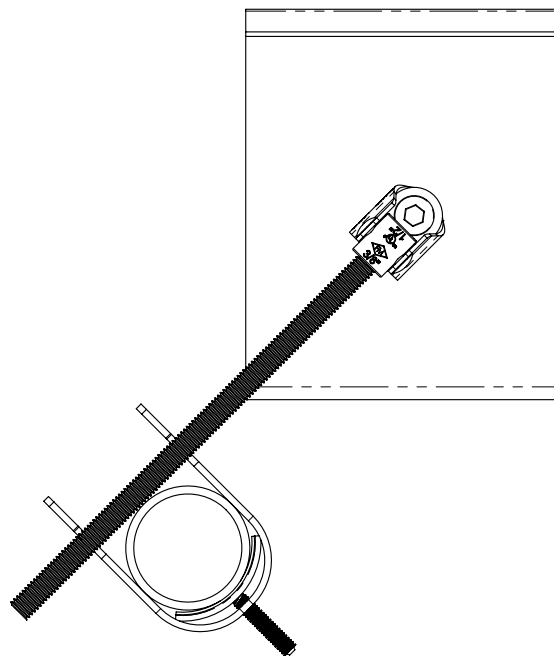
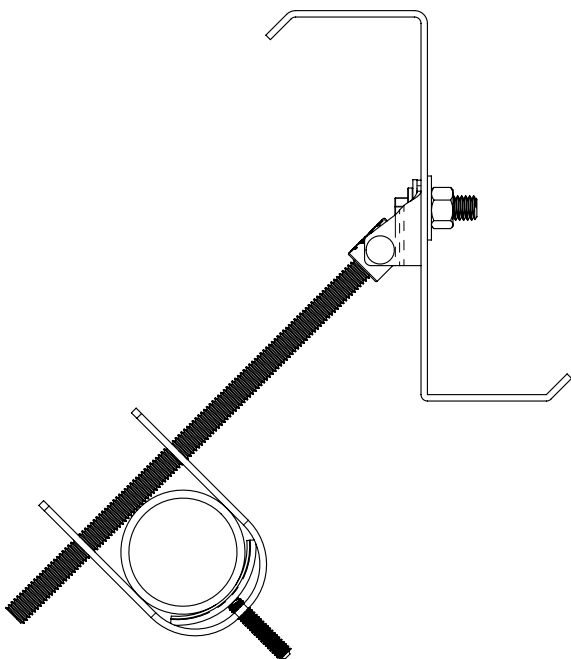
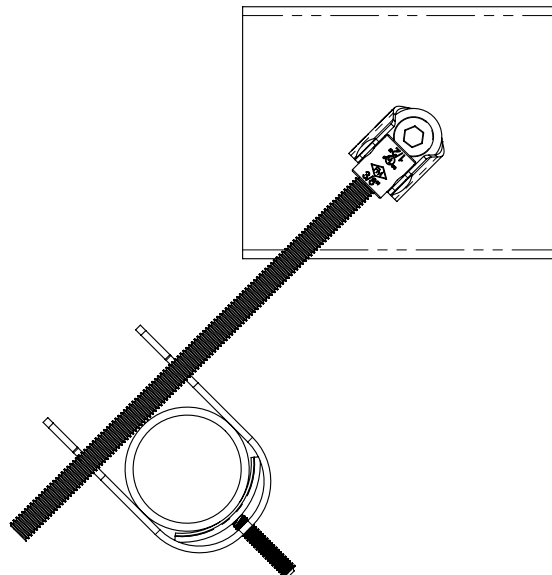
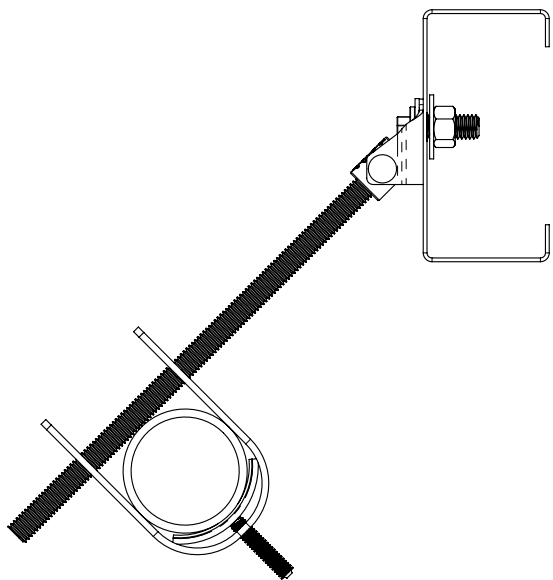
TECHNICAL SUPPORT:
www.nVent.com

CFS449_G

6 OF 7

© 2011 - 2019 nVent All Rights Reserved





This product is intended to be used as a restraint and not a hanger.

nVent, nVent CADDY, nVent ERICO Cadweld, nVent ERICO Critec, nVent ERICO, nVent ERIFLEX, and nVent LENTON are owned by nVent or its global affiliates. All other trademarks are the property of their respective owners. nVent reserves the right to change specifications without prior notice.

TECHNICAL SUPPORT:
www.nVent.com

CFS449_G

7 OF 7

© 2011 - 2019 nVent All Rights Reserved

