

CSBQG

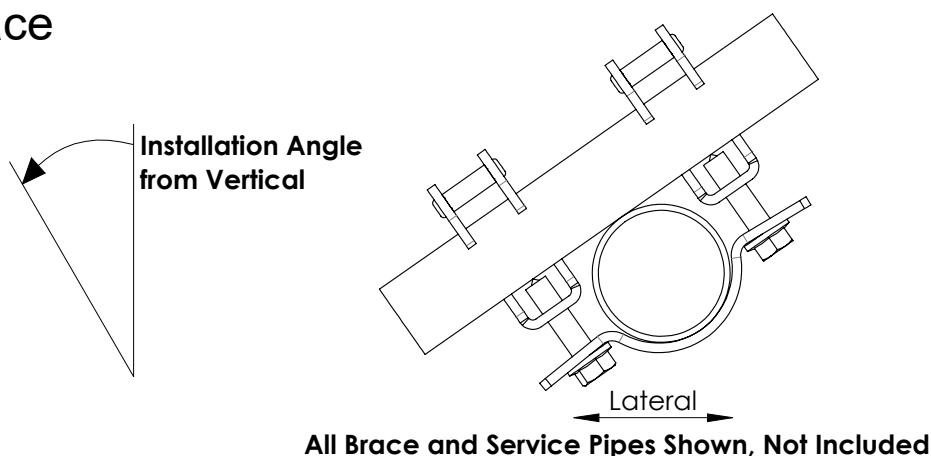
Quick Grip Lateral Sway Brace

*Part Number	Pipe Size	
	NPS (in.)	mm
CSBQG0250(XX)	2-1/2	N/A
CSBQG0250M(XX)	N/A	65
CSBQG0300(XX)	3	80
CSBQG0400(XX)	4	100
CSBQG0500(XX)	5	125
CSBQG0600(XX)	6	150
CSBQG0800(XX)	8	200

*(XX) = Finish Specifier

Sway Brace assemblies are intended to be installed in accordance with NFPA-13 and the manufacturers installation instructions.

The required type, number and size of fasteners used for the structure attachment fitting shall be in accordance with NFPA-13



Part Number	Orientation to Sprinkler Pipe	Pipe Size		Pipe Schedule	FM Horizontal Load Rating			
		NPS (in.)	mm		30° - 44°	45° - 59°	60° - 74°	75° - 90°
CSBQG0250(XX)	Lateral	2-1/2	N/A	LW, 10, 40	1410 lb (6270 N)	2000 lb (8895 N)	2450 lb (10900 N)	2740 lb (12190 N)
CSBQG0250M(XX)	Lateral	N/A	65		1190 lb (5295 N)	1680 lb (7475 N)	2060 lb (9163 N)	2300 lb (10230 N)
CSBQG0300(XX)	Lateral	3	80	LW, 10, 40	870 lb (3870 N)	1230 lb (5470 N)	1510 lb (6715 N)	1690 lb (7515 N)
CSBQG0400(XX)	Lateral	4	100		970 lb (4315 N)	1370 lb (6095 N)	1680 lb (7475 N)	1870 lb (8320 N)
CSBQG0500(XX)	Lateral	5	125	LW, 10	790 lb (3515 N)	1110 lb (4940 N)	1360 lb (6050 N)	1520 lb (6760 N)
CSBQG0600(XX)	Lateral	6	150		0.188, 40	1110 lb (4940 N)	1360 lb (6050 N)	1520 lb (6760 N)
CSBQG0500(XX)	Lateral	5	125	40	790 lb (3515 N)	1110 lb (4940 N)	1360 lb (6050 N)	1520 lb (6760 N)
CSBQG0600(XX)	Lateral	6	150		0.188, 40	790 lb (3515 N)	1110 lb (4940 N)	1360 lb (6050 N)
CSBQG0800(XX)	Lateral	8	200	0.188, 40	790 lb (3515 N)	1110 lb (4940 N)	1360 lb (6050 N)	1520 lb (6760 N)

1. FM Approved when used with 1" and 1-1/4" (DN25 and DN32) NPS Schedule 40, AS 1074 Heavy, GB/T 3091, EN10255 (Heavy), or JIS G3454 brace pipe.
2. Load ratings for Schedule 40 above may also be applied to AS 1074 Heavy, GB/T 3091, EN 10255 (Heavy), and JIS G3454 pipe.
3. Load rating for Schedule 10 above may also be applied to AS 1074 Medium, GB/T 3091, EN 10255 (Medium or Heavy), JIS G3452, FM Approved Thinwall, and Schedule 40 pipes unless otherwise indicated.
4. Load ratings for LW above refers to FM Approved Lightwall Pipe, commonly referred to as "Schedule 7". These ratings may also be applied to AS 1074 Lightwall, EN 10255 L, EN 10220, and GB/T 8163 pipe unless otherwise specified.
5. Load ratings for "0.188 wall" above may be applied to any thicker walled pipe unless otherwise specified.

WARNING:

1. nVent products shall be installed and used only as indicated in nVent product instruction sheets and training materials. Instruction sheets are available at www.nVent.com and from your nVent customer service representative.
2. nVent products must never be used for a purpose other than the purpose for which they were designed or in a manner that exceeds specified load ratings.
3. All instructions must be completely followed to ensure proper and safe installation and performance.
4. Improper installation, misuse, misapplication or other failure to completely follow nVent's instructions and warnings may cause product malfunction, property damage, serious bodily injury and/or death, and void your warranty.
5. Products that are manufactured using spring steel components shall be used only in a non-corrosive indoor environment.
6. All pipe supports, hangers, intermediate components and structural attachments must ONLY be used as described herein and are NEVER to be used for any other purpose.

NOTE: All load ratings are for static conditions and do not account for dynamic loading such as wind, water or seismic loads, unless otherwise noted.

The customer is responsible for:

- a. Conformance to all governing codes.
- b. The integrity of structures to which the products are attached, including their capability of safely accepting the loads imposed, as evaluated by a qualified engineer.
- c. Using appropriate industry standard hardware as noted above.

SAFETY INSTRUCTIONS:

All governing codes and regulations and those required by the job site must be observed. Always use appropriate safety equipment such as eye protection, hard hat, and gloves as appropriate to the application.

nVent, nVent CADDY, nVent ERICO Cadweld, nVent ERICO Critec, nVent ERICO, nVent ERIFLEX, and nVent LENTON are owned by nVent or its global affiliates. All other trademarks are the property of their respective owners. nVent reserves the right to change specifications without prior notice.

TECHNICAL SUPPORT:
www.nVent.com

CFS452_N

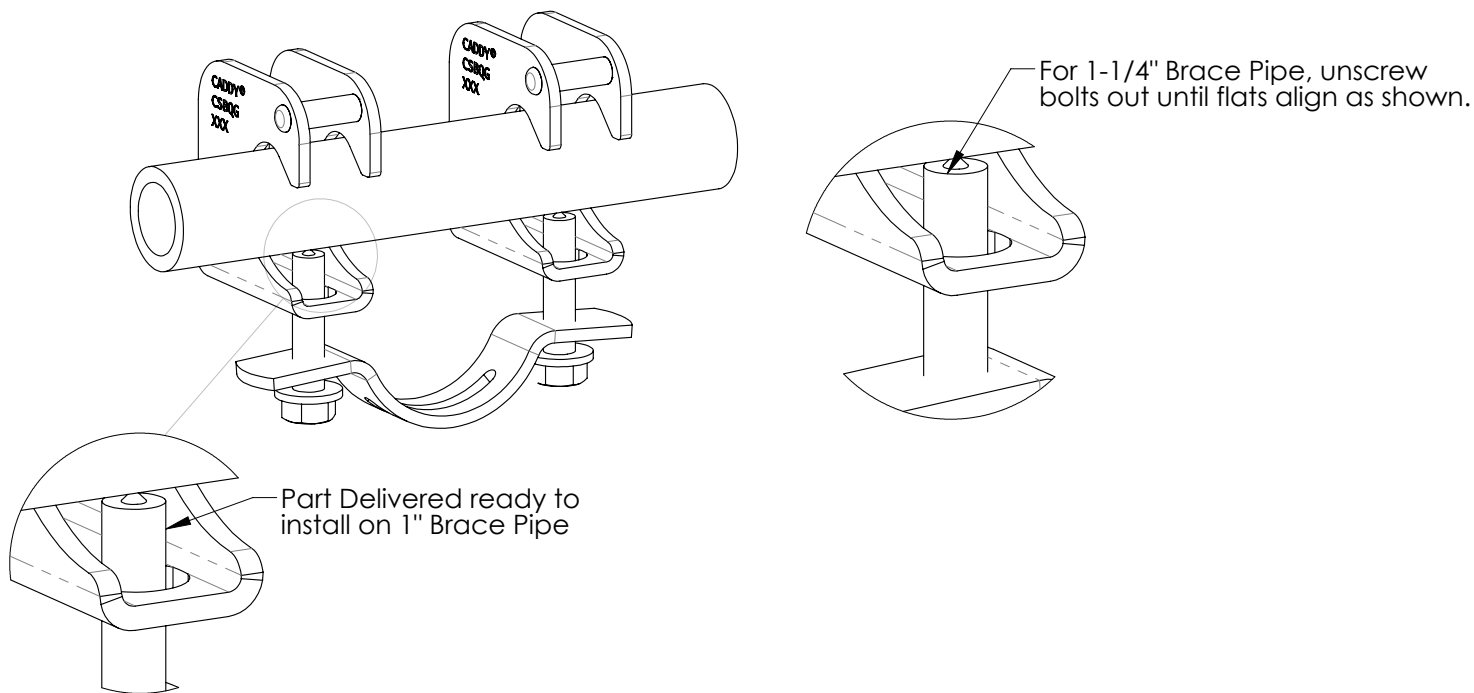
1 OF 10

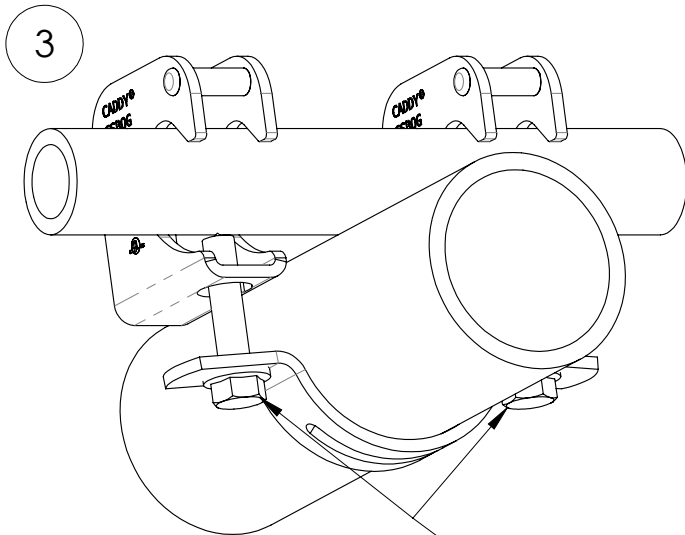
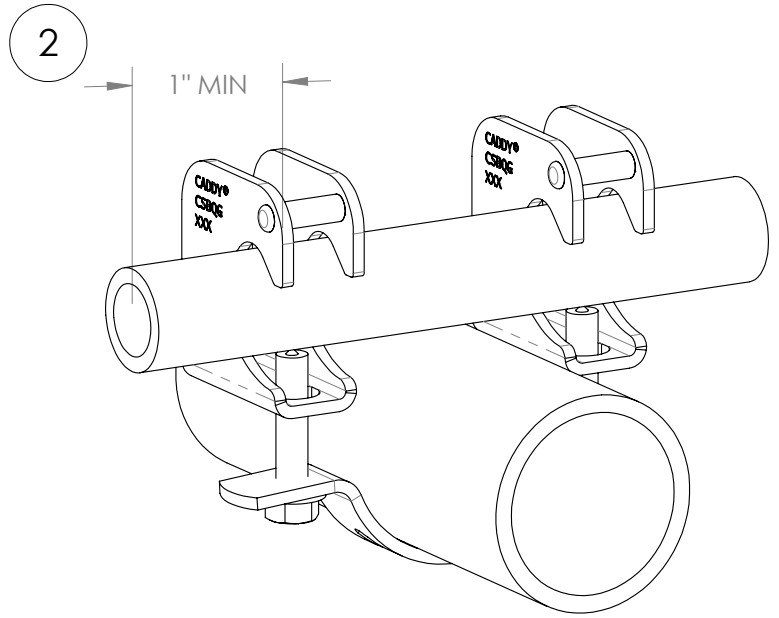
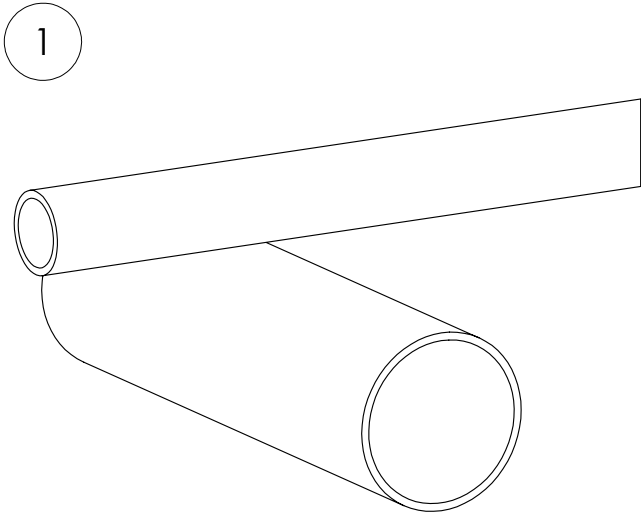
© 2011-2024 nVent All Rights Reserved



UL Lateral Loads (Listed for Sway Braces)					
Part Number	Youngstown Tube Fire-Flo	Bull Moose Tube Eddy Flow	Wheatland Tube Mega-Flow	Schedule 10	Schedule 40
CSBQG0250(XX)	1,500 lb (6,672 N)	1,500 lb (6,672 N)	1,500 lb (6,672 N)	1,500 lb (6,672 N)	1,500 lb (6,672 N)
CSBQG0250M(XX)	N/A	N/A	N/A	N/A	N/A
CSBQG0300(XX)	1,300 lb (5,782 N)	1,300 lb (5,782 N)	1,300 lb (5,782 N)	1,300 lb (5,782 N)	1,300 lb (5,782 N)
CSBQG0400(XX)	1,500 lb (6,672 N)	1,500 lb (6,672 N)	1,500 lb (6,672 N)	1,500 lb (6,672 N)	1,500 lb (6,672 N)
CSBQG0500(XX)	N/A	N/A	N/A	N/A	N/A
CSBQG0600(XX)	N/A	N/A	1,400 lb (6,227 N)	1,400 lb (6,227 N)	1,400 lb (6,227 N)
CSBQG0800(XX)	N/A	N/A	N/A	1,400 lb (6,227 N)	1,400 lb (6,227 N)

- UL Listed for use with Lightwall Service Pipe, Schedule 10, and Schedule 40 Service Pipe, for use with 1 or 1-1/4 NPS Schedule 40 brace pipe.

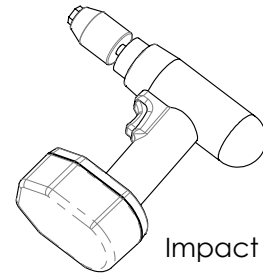




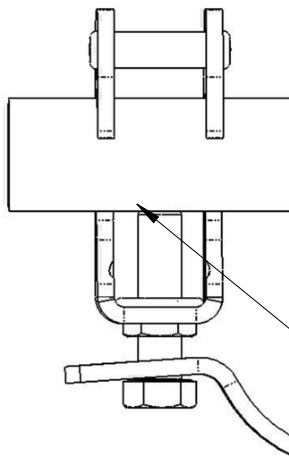
Ratchet



Wrench

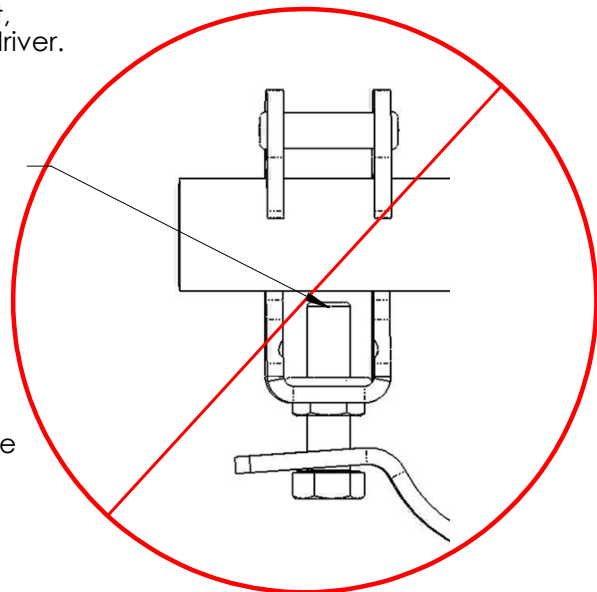


Impact Driver

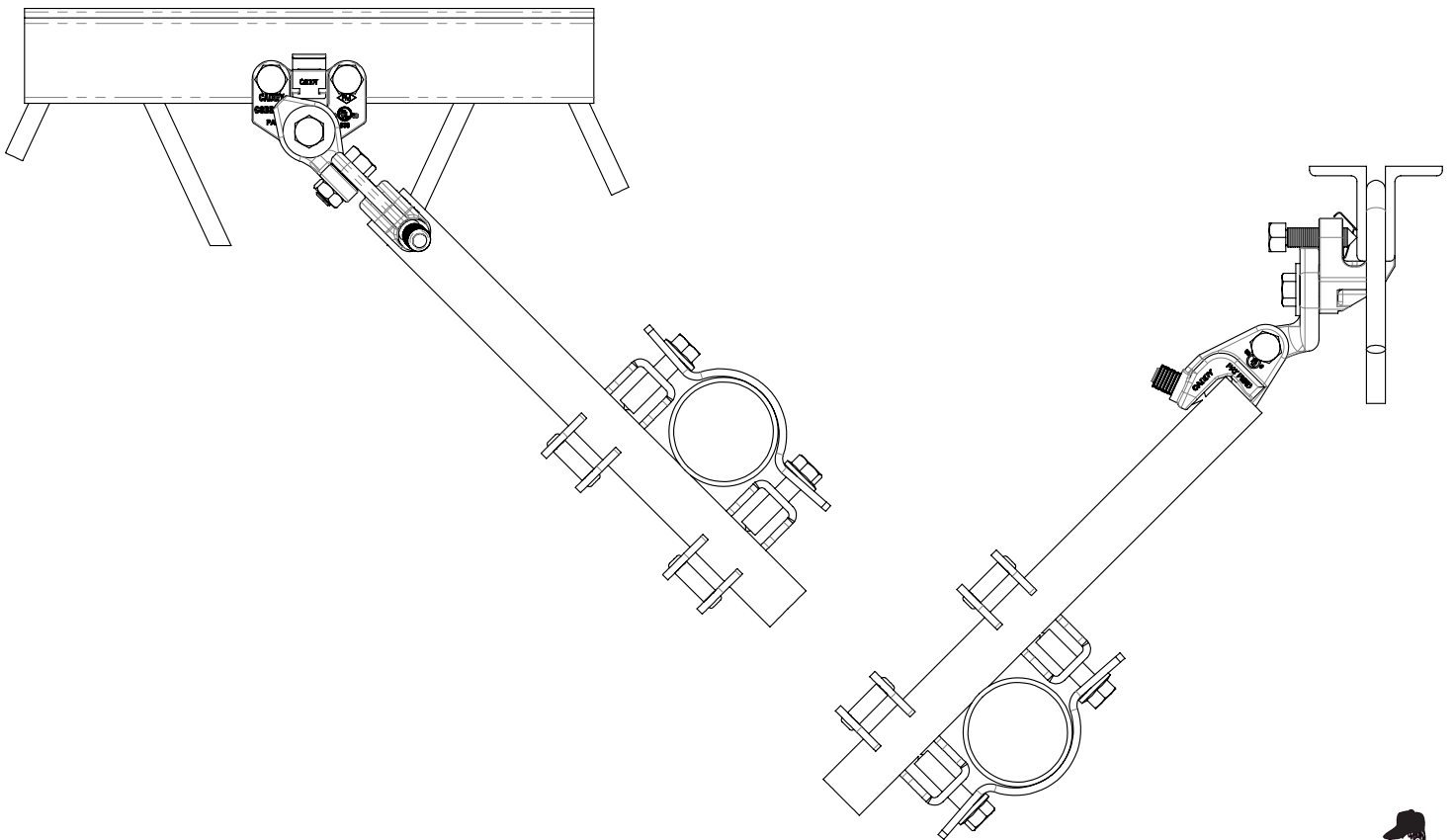
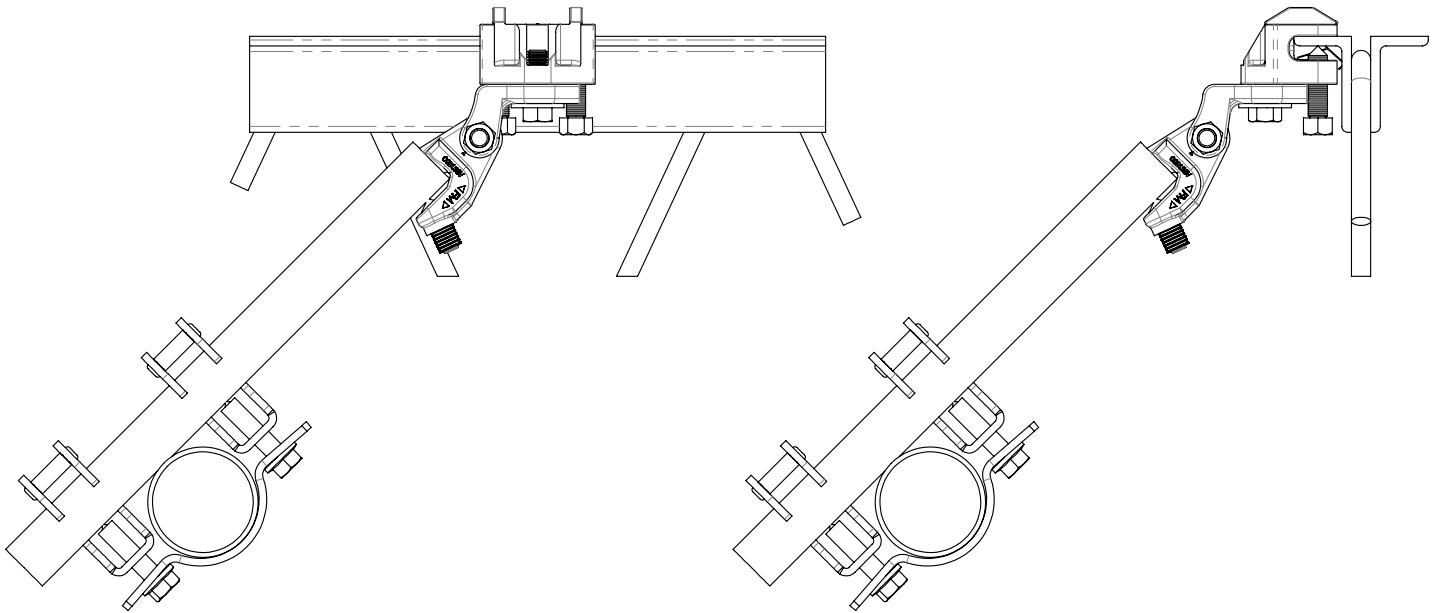


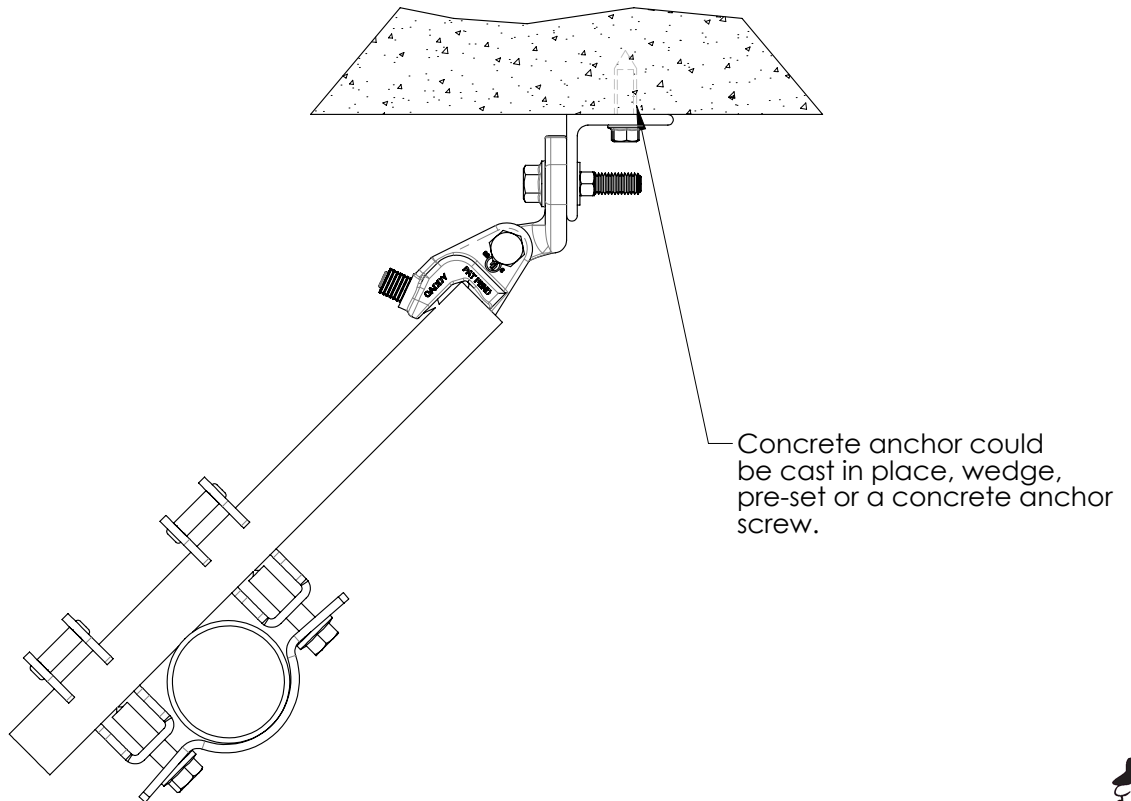
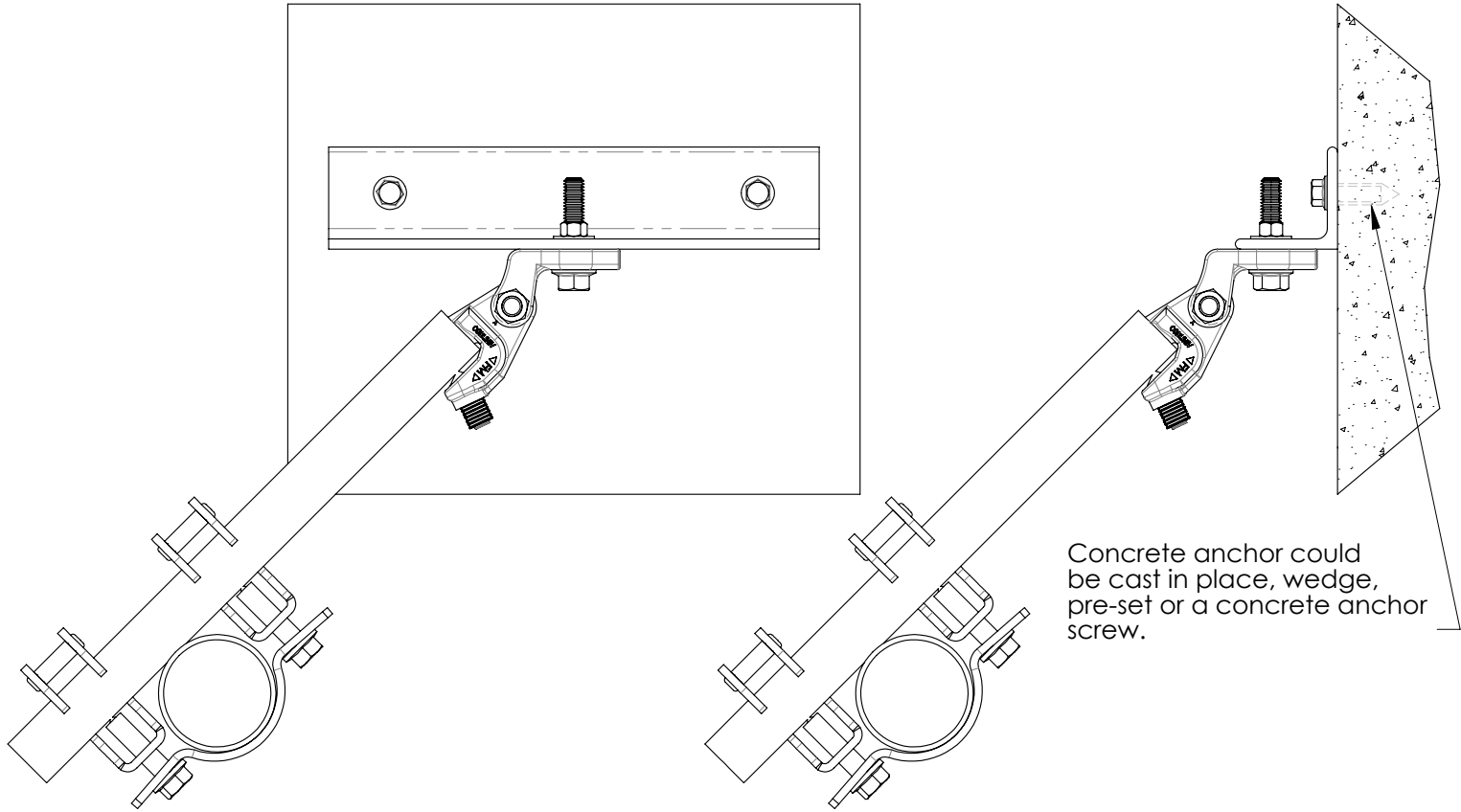
Tighten with ratchet, wrench or impact driver.

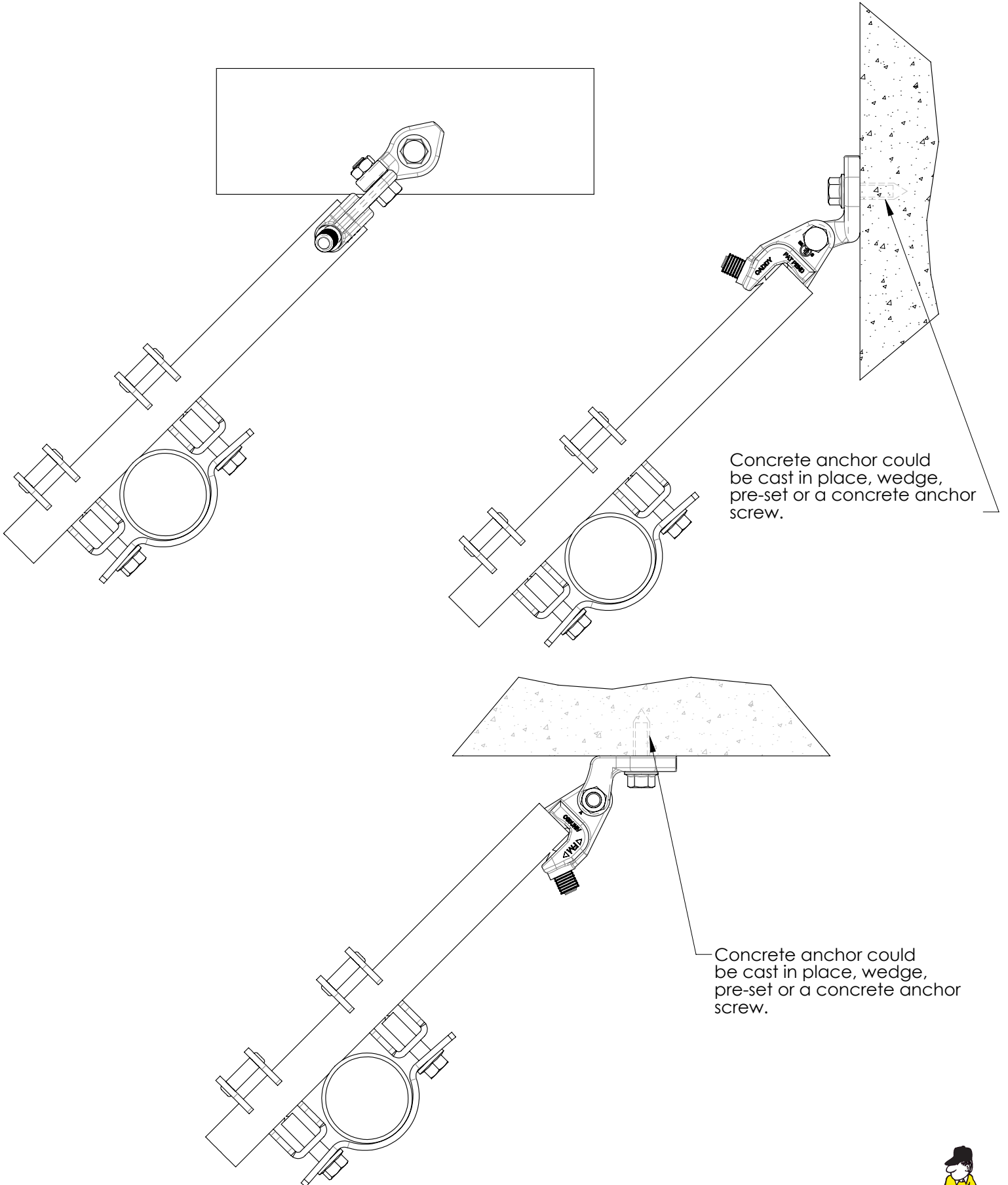
Not Installed:
Point of bolt visible

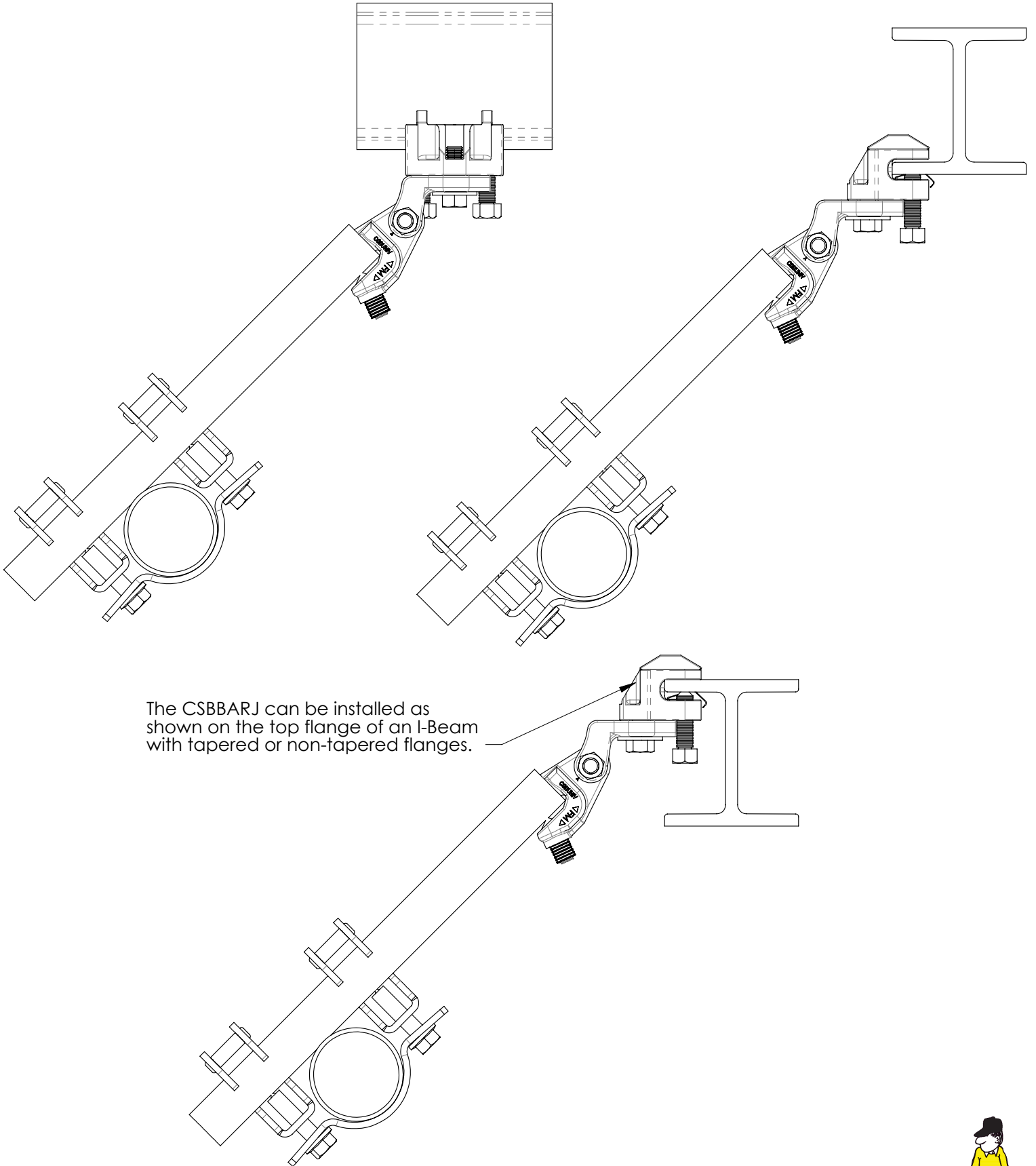


Proper Install:
Point of bolt not visible

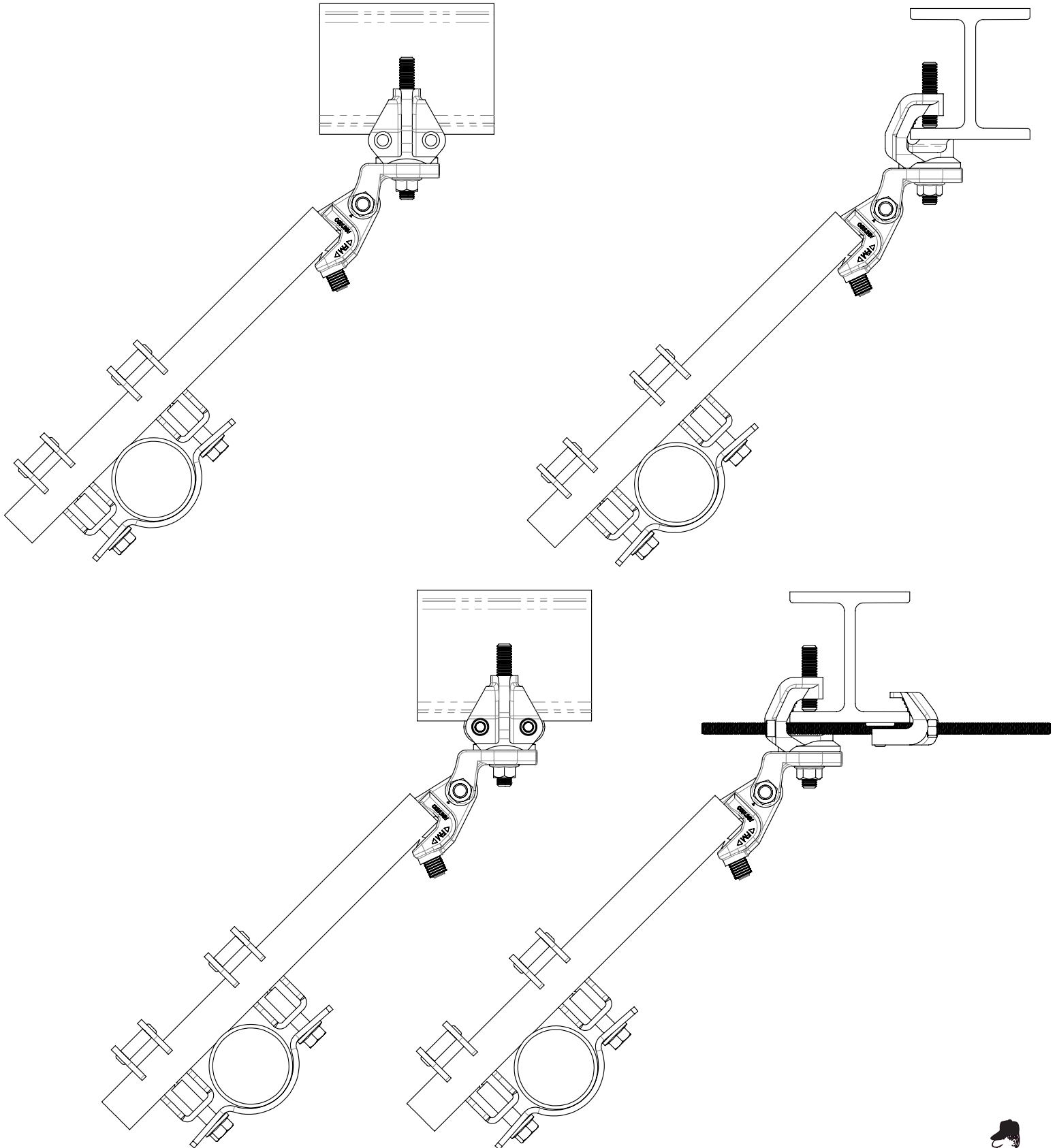


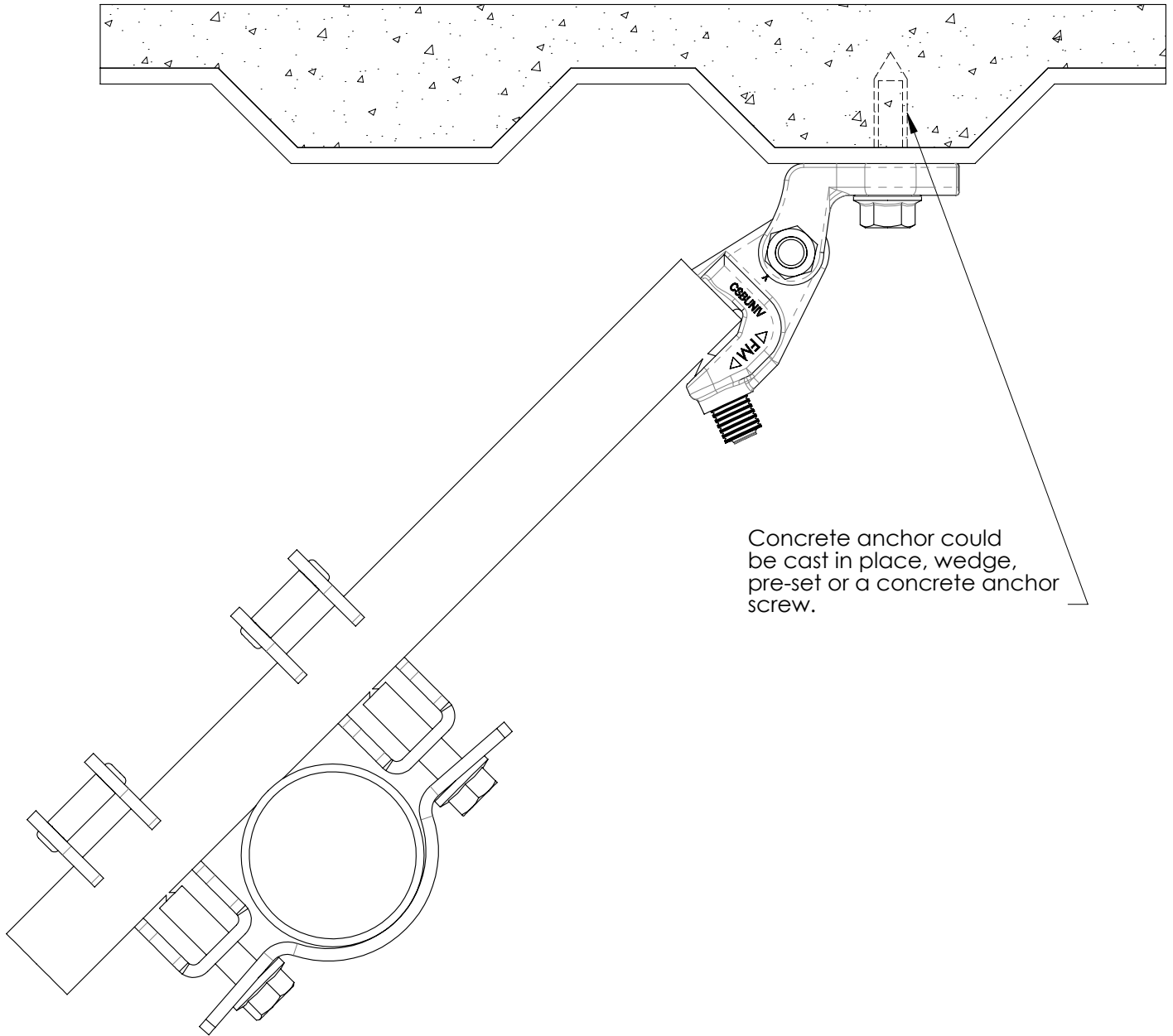






The CSBBARJ can be installed as shown on the top flange of an I-Beam with tapered or non-tapered flanges.





Concrete anchor could be cast in place, wedge, pre-set or a concrete anchor screw.

