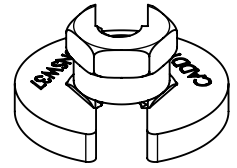


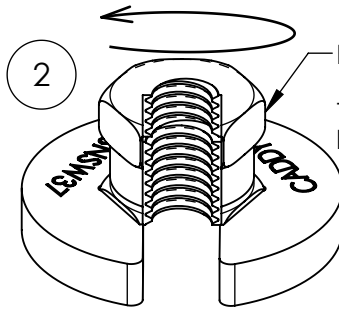
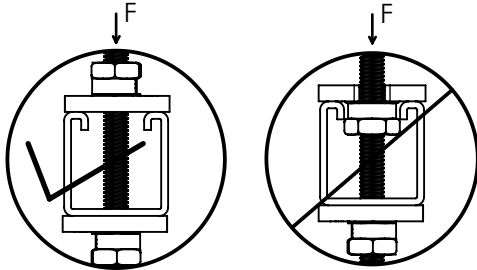
SN Flanged Nut

Part Number	Article Number	Rod Size	Description	Load Rating (3:1 safety Factor)	Wrench Size	Wrench Tightening Torque
SNSW37	N/A	3/8"	3/8" SN Flanged Nut	300 lbs	3/4"	60 in-lbs
SNSWM8	390101	M8	M8 SN Flanged Nut	1,557 N	19 mm	6.8 N-m
SNSWM10	390102	M10	M10 SN Flanged Nut	1,557 N	20 mm	6.8 N-m
SNSW50	N/A	1/2"	1/2" SN Flanged Nut	300 lbs	1"	125 in-lbs

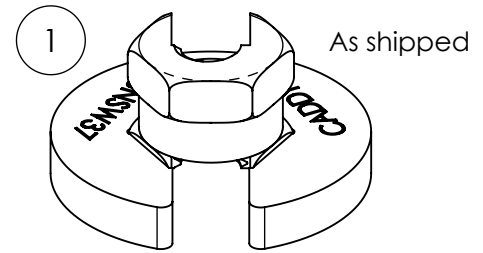


For indoor applications only.

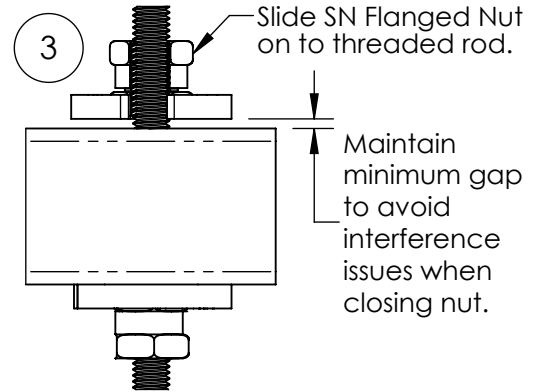
General Application



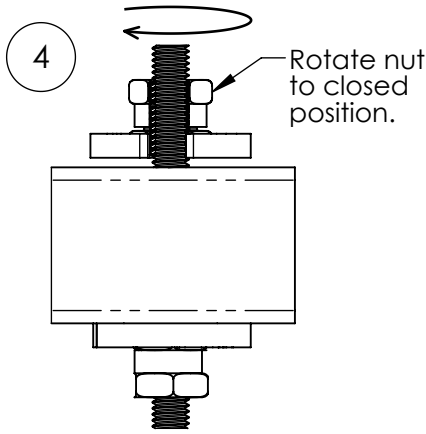
Rotate 1/2 turn to open position



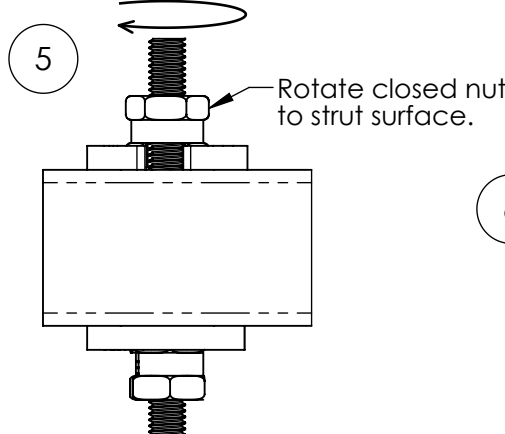
As shipped



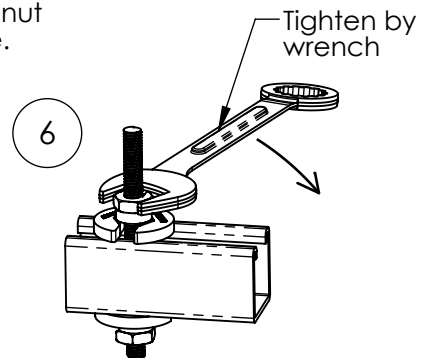
Maintain minimum gap to avoid interference issues when closing nut.



Rotate nut to closed position.



Rotate closed nut to strut surface.



Tighten by wrench

WARNING:

1. ERICO products shall be installed and used only as indicated in ERICO product instruction sheets and training materials. Instruction sheets are available at www.erico.com and from your ERICO customer service representative.
2. ERICO products must never be used for a purpose other than the purpose for which they were designed or in a manner that exceeds specified load ratings.
3. All instructions must be completely followed to ensure proper and safe installation and performance.
4. Improper installation, misuse, misapplication or other failure to completely follow ERICO's instructions and warnings may cause product malfunction, property damage, serious bodily injury and death.
5. Products that are manufactured using spring steel components shall be used only in a non-corrosive indoor environment.
6. All pipe supports, hangers, intermediate components and structural attachments must ONLY be used as described herein and are NEVER to be used for any other purpose.

NOTE: All load ratings are for static conditions and do not account for dynamic loading such as wind, water or seismic loads, unless otherwise noted.

The customer is responsible for:

- a. Conformance to all governing codes.
- b. The integrity of structures to which the products are attached, including their capability of safely accepting the loads imposed, as evaluated by a qualified engineer.
- c. Using appropriate industry standard hardware as noted above.

SAFETY INSTRUCTIONS:

All governing codes and regulations and those required by the job site must be observed. Always use appropriate safety equipment such as eye protection, hard hat, and gloves as appropriate to the application.



CADDY, CADWELD, CRITEC, ERICO, ERIFLEX, ERITECH, and LENTON are registered trademarks of ERICO International Corporation.

TECHNICAL SUPPORT:
www.erico.com

CFS518_B

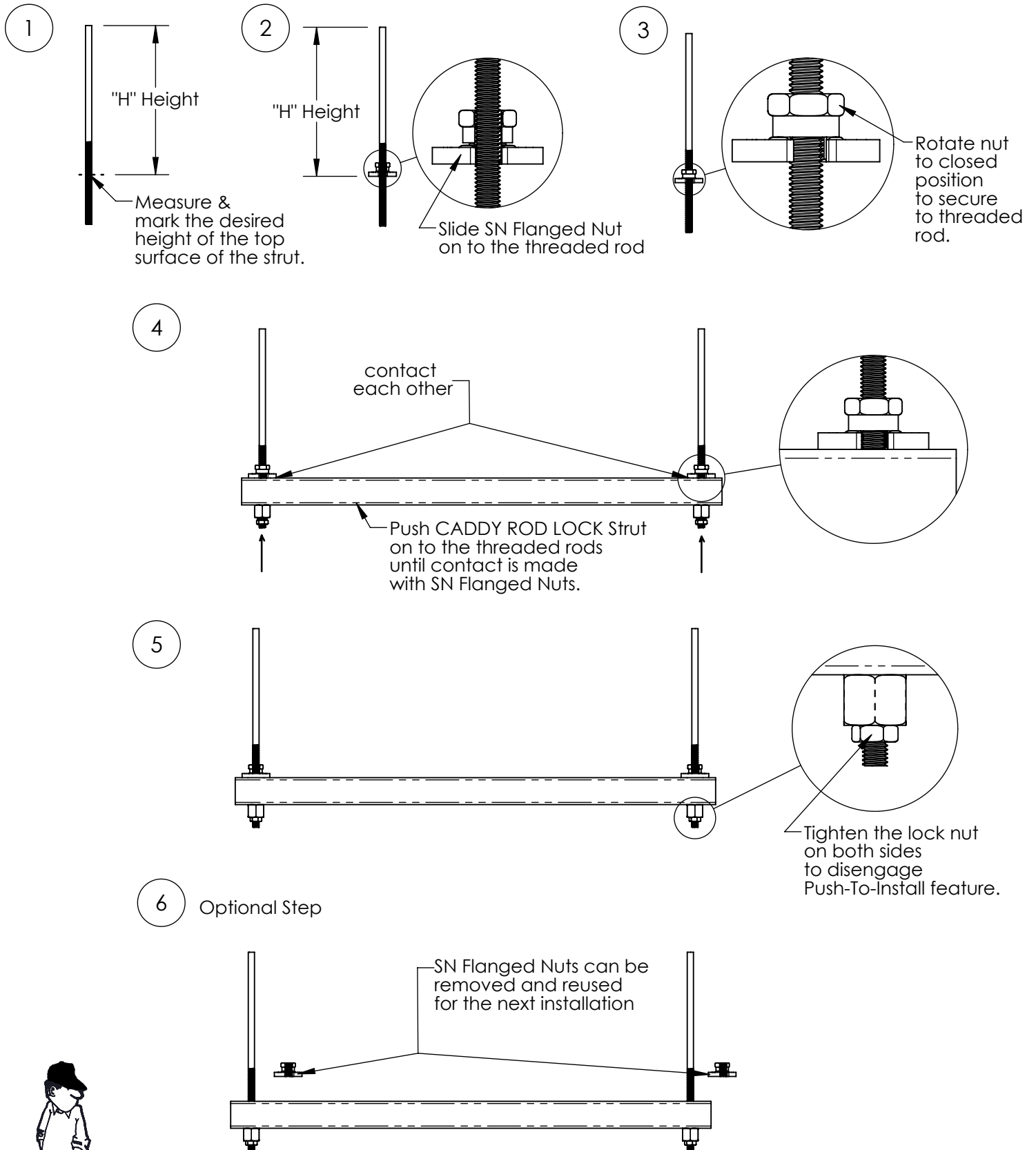
1 OF 2

© 2015 ERICO International Corporation.



SN Flanged Nut

CADDY® ROD LOCK Strut Application



CADDY, CADWELD, CRITEC, ERICO, ERIFLEX, ERITECH, and LENTON are registered trademarks of ERICO International Corporation.

TECHNICAL SUPPORT:
www.erico.com

CFS518_B

2 OF 2

© 2015 ERICO International Corporation.

