

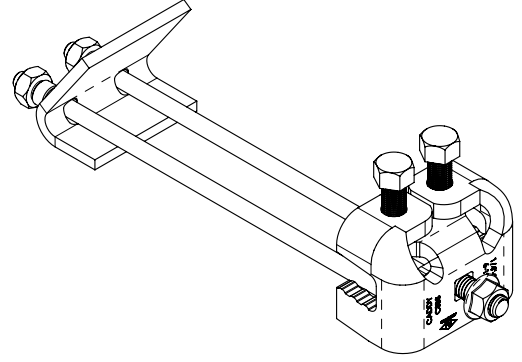
CSBS3, CSBS4, CSBS5 Double Side Flange Attachments

*Part Number		Flange Thickness		Flange Width	
Global	Article	Inch	mm	Inch	mm
CSBS3	404507	1/4 to 3/4	6 to 19	4 to 8-1/2	100 to 215
CSBS4	404508			4 to 14-1/2	100 to 365
CSBS5	404509	3/4 to 1-1/4	19 to 31	4 to 18	100 to 455

*Part Number are EG Plating. Other Coatings are available.

The required type, number and size of fasteners used for the structure attachment fitting shall be in accordance with NFPA 13.

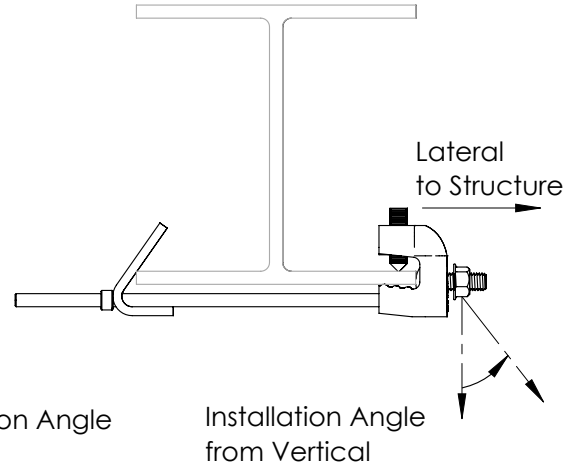
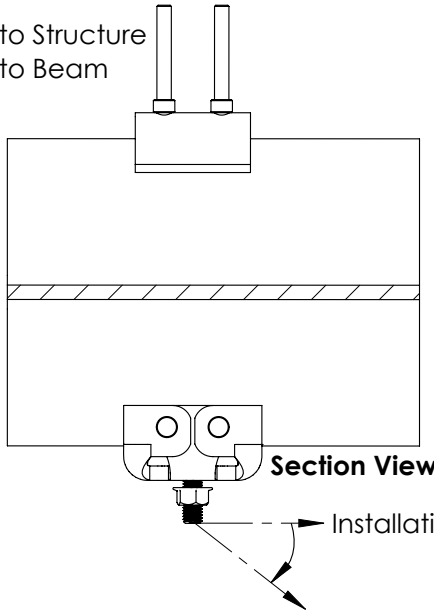
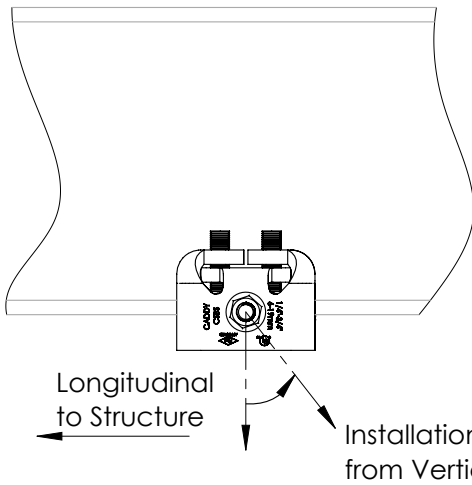
Sway brace assemblies are intended to be installed in accordance with NFPA 13 and the manufacturer's installation instructions .



Parallel to Structure
Perpendicular to Beam

Parallel to Structure
Parallel to Beam

Perpendicular to Structure
Perpendicular to Beam



UL Loads (Listed for Structural Attachment)							
Part Number Global	Article	Structure Attachment Fitting	Flange Thickness		Parallel to Structure Perpendicular to Beam	Perpendicular to Structure Perpendicular to Beam	Parallel to Structure Parallel to Beam
			Inch	mm			
CSBS3	404507	CSBU1	1/4 to 5/16	6 to 8		1,500 lb (6,672 N)	
			3/8 to 3/4	8 to 19		1,885 lb (8,385 N)	
		CSBURC12	1/4 to 3/4	19 to 31		1,100 lb (4,893 N)	
CSBS4	404508	CSBU1	1/4 to 5/16	6 to 8		1,500 lb (6,672 N)	
			3/8 to 3/4	8 to 19		1,885 lb (8,385 N)	
			CSBURC12	1/4 to 3/4		19 to 31	
CSBS5	404509	CSBU1	3/4 to 1-1/4	19 to 31		1,704 lb (7,580 N)	
						CSBURC12	

1. Structure Attachment Fittings are not included with the CSBS3, CSBS4 or the CSBS5

WARNING:

- nVent products shall be installed and used only as indicated in nVent product instruction sheets and training materials. Instruction sheets are available at www.nVent.com and from your nVent customer service representative.
- nVent products must never be used for a purpose other than the purpose for which they were designed or in a manner that exceeds specified load ratings.
- All instructions must be **completely** followed to ensure proper and safe installation and performance.
- Improper installation, misuse, misapplication or other failure to completely follow nVent's instructions and warnings may cause product malfunction, property damage, serious bodily injury and/or death, and void your warranty.
- Products that are manufactured using spring steel components shall be used only in a non-corrosive indoor environment.
- All pipe supports, hangers, intermediate components and structural attachments must **ONLY** be used as described herein and are **NEVER** to be used for any other purpose.

NOTE: All load ratings are for static conditions and do not account for dynamic loading such as wind, water or seismic loads, unless otherwise noted.

The customer is responsible for:

- Conformance to all governing codes.
- The integrity of structures to which the products are attached, including their capability of safely accepting the loads imposed, as evaluated by a qualified engineer.
- Using appropriate industry standard hardware as noted above.

SAFETY INSTRUCTIONS:

All governing codes and regulations and those required by the job site must be observed. Always use appropriate safety equipment such as eye protection, hard hat, and gloves as appropriate to the application.

nVent, nVent CADDY, nVent ERICO Cadweld, nVent ERICO Critec, nVent ERICO, nVent ERIFLEX, and nVent LENTON are owned by nVent or its global affiliates. All other trademarks are the property of their respective owners. nVent reserves the right to change specifications without prior notice.

TECHNICAL SUPPORT:
www.nVent.com

CFS542_F

1 OF 2

© 2016-2020 nVent All Rights Reserved



Part Number		Orientation	FM Horizontal Load Ratings			
Global	Article		Installation Angle			
			30° - 44°	45° - 59°	60° - 74°	75° - 90°
CSBS3	404507	Lateral	1,180 lb (5,240 N)	2,210 lb (9,830 N)	2,830 lb (12,580 N)	2,940 lb (13,070 N)
CSBS4	404508		1,220 lb (5,420 N)	2,140 lb (9,510 N)	2,580 lb (11,470 N)	2,870 lb (12,760 N)
CSBS5	404509		820 lb (3,640 N)	1,380 lb (6,130 N)	2,080 lb (9,250 N)	3,010 lb (13,380 N)
CSBS3	404507	Longitudinal	1,100 lb (4,890 N)	1,820 lb (8,090 N)	2,190 lb (9,740 N)	2,680 lb (11,920 N)
CSBS4	404508					
CSBS5	404509					

1. FM Approved when used with 1", 1-1/4", 1-1/2", or 2" (DN25, DN32, DN40, DN50) NPS Schedule 40, GB/T 3091, EN10255 (Heavy), AS1074 Heavy or JIS G3454 brace pipe.

