

# CSBXXXX

## Sway Brace Fitting

EG Finish*		Service Pipe Size	
Part Number	Article Number	NPS (in)	mm**
CSB0100(N)	404516	1	25
CSB0125(N)	404517	1-1/4	32
CSB0150(N)	404518	1-1/2	38
CSB0200(N)	404519	2	50
CSB0250(N)	404520	2-1/2	65
CSB0300(N)	404521	3	80
CSB0400(N)	404522	4	100
CSB0500(N)	404523	5	125
CSB0500C***		5	125
CSB0600(N)	404524	6	150
CSB0600C***		6	150
CSB0800(N)	404525	8	200
CSB1000(N)	404526	10	250
CSB1200(N)	404551	12	300

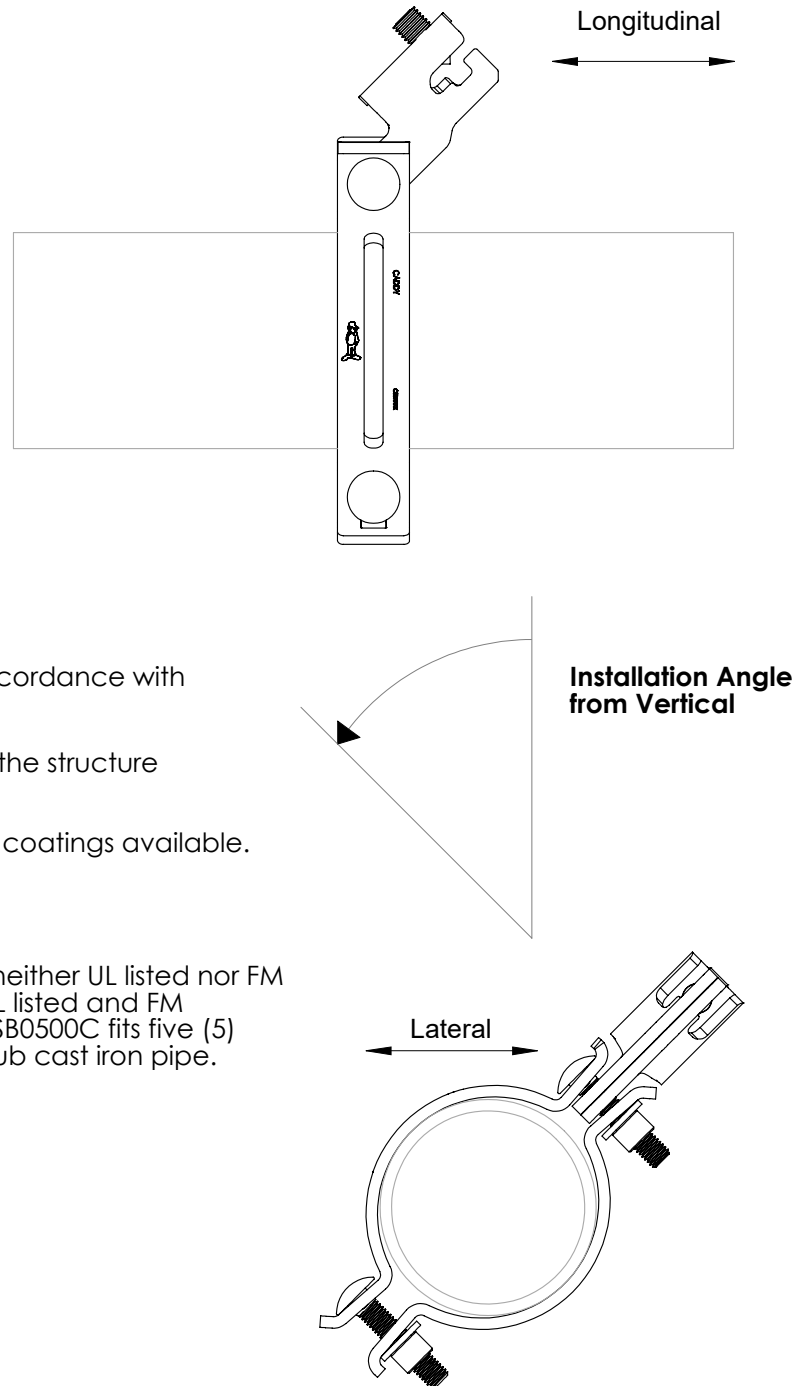
Sway Brace assemblies are intended to be installed in accordance with NFPA®-13 and the manufacturer's installation instructions.

The required type, number, and size of fasteners used for the structure attachment fitting shall be in accordance with NFPA-13.

\*Part numbers and article numbers are for EG only. Other coatings available. Contact customer service for availability.

\*\*Metric pipe sizes are not UL listed.

\*\*\* The CSB0500C and CSB0600C custom assemblies are neither UL listed nor FM approved. Although it may use existing components or UL listed and FM approved products, these new assemblies are neither. CSB0500C fits five (5) inch no-hub cast iron pipe, CSB0600C fits six (6) inch no-hub cast iron pipe.



#### WARNING:

- nVent products shall be installed and used only as indicated in nVent product instruction sheets and training materials. Instruction sheets are available at [www.nVent.com](http://www.nVent.com) and from your nVent customer service representative.
- nVent products must never be used for a purpose other than the purpose for which they were designed or in a manner that exceeds specified load ratings.
- All instructions must be completely followed to ensure proper and safe installation and performance.
- Improper installation, misuse, misapplication or other failure to completely follow nVent's instructions and warnings may cause product malfunction, property damage, serious bodily injury and/or death, and void your warranty.
- Products that are manufactured using spring steel components shall be used only in a non-corrosive indoor environment.
- All pipe supports, hangers, intermediate components and structural attachments must **ONLY** be used as described herein and are **NEVER** to be used for any other purpose.

NOTE: All load ratings are for static conditions and do not account for dynamic loading such as wind, water or seismic loads, unless otherwise noted.

The customer is responsible for:

- Conformance to all governing codes.
- The integrity of structures to which the products are attached, including their capability of safely accepting the loads imposed, as evaluated by a qualified engineer.
- Using appropriate industry standard hardware as noted above.

#### SAFETY INSTRUCTIONS:

All governing codes and regulations and those required by the job site must be observed. Always use appropriate safety equipment such as eye protection, hard hat, and gloves as appropriate to the application.

nVent, nVent CADDY, nVent ERICO Cadweld, nVent ERICO Critec, nVent ERICO, nVent ERIFLEX, and nVent LENTON are owned by nVent or its global affiliates. All other trademarks are the property of their respective owners. nVent reserves the right to change specifications without prior notice.

TECHNICAL SUPPORT:  
[www.nVent.com](http://www.nVent.com)

CFS544\_H

1 OF 4

© 2016-2024 nVent. All Rights Reserved



UL® Loads (Listed for Sway Braces) lbs (N)					
EG Finish*	Lateral				
Part Number	Youngstown Tube Fire Flow	Bull Moose Eddy Flow	Wheatland Mega Flow	Sch 10 Service Pipe	Sch 40 Service Pipe
CSB0100(N)	N/A	N/A	N/A	1,800 (8,006)	1,800 (8,006)
CSB0125(N)	N/A	1,800 (8,006)	1,800 (8,006)	1,800 (8,006)	1,800 (8,006)
CSB0150(N)	1,800 (8,006)				
CSB0200(N)					
CSB0250(N)					
CSB0300(N)					
CSB0400(N)					
CSB0500(N)	N/A	N/A	N/A	1,800 (8,006)	1,800 (8,006)
CSB0600(N)	N/A	N/A	1,800 (8,006)	1,800 (8,006)	1,800 (8,006)
CSB0800(N)	N/A	N/A	N/A	1,800 (8,006)	1,800 (8,006)
CSB1000(N)	N/A	N/A	N/A	1,900 (8,451)	1,900 (8,451)

UL® Loads (Listed for Sway Braces) lbs (N)					
EG Finish*	Longitudinal				
Part Number	Youngstown Tube Fire Flow	Bull Moose Eddy Flow	Wheatland Mega Flow	Sch 10 Service Pipe	Sch 40 Service Pipe
CSB0100(N)	N/A	N/A	N/A	1,000 (4,448)	1,000 (4,448)
CSB0125(N)	N/A	680 (3,025)	680 (3,025)	680 (3,025)	680 (3,025)
CSB0150(N)	1,000 (4,448)				
CSB0200(N)					
CSB0250(N)	1,300 (5,782)				
CSB0300(N)					
CSB0400(N)	1,700 (7,561)	1,700 (7,561)	1,700 (7,561)	1,700 (7,561)	1,700 (7,561)
CSB0500(N)	N/A	N/A	N/A	1,700 (7,561)	1,700 (7,561)
CSB0600(N)	N/A	N/A	1,700 (7,561)	1,700 (7,561)	1,700 (7,561)
CSB0800(N)	N/A	N/A	N/A	1,700 (7,561)	1,700 (7,561)
CSB1000(N)	N/A	N/A	N/A	1,900 (8,451)	1,900 (8,451)

- A) UL Listed for use with Lightwall Service Pipe, Schedule 10, and Schedule 40 Service Pipe, for use with 1 to 2 NPS Schedule 40 brace pipe.
- B) \*Part numbers and article numbers are for EG only. Other coatings available. Contact customer service for availability.



nVent, nVent CADDY, nVent ERICO Cadweld, nVent ERICO Critec, nVent ERICO, nVent ERIFLEX, and nVent LENTON are owned by nVent or its global affiliates. All other trademarks are the property of their respective owners. nVent reserves the right to change specifications without prior notice.

TECHNICAL SUPPORT:  
www.nVent.com

CFS544\_H

2 OF 4

© 2016-2024 nVent. All Rights Reserved



EG Finish*	Orientation to Sprinkler Pipe	Service Pipe Size		FM Horizontal Load Ratings lbs (N)				Pipe Schedule	
				Installation Angle					
Part Number		Inch	mm	30° - 44°	45° - 59°	60° - 74°	75° - 90°		
CSB0100(N)	Lateral	1	25	1,490 (6,628)	2,110 (9,386)	2,580 (11,476)	2,900 (12,900)	LW, 10, 40	
CSB0125(N)		1 - 1/4	32	1,380 (6,139)	1,960 (8,719)	2,400 (10,676)	2,690 (11,966)		
CSB0150(N)		1 - 1/2	40						
CSB0200(N)		2	50	1,440 (6,405)	2,030 (9,030)	2,490 (11,076)	2,790 (12,411)		
CSB0250(N)		2 - 1/2	65						
CSB0300(N)		3	85	1,390 (6,183)	1,970 (8,763)	2,420 (10,765)	2,710 (12,055)		
CSB0400(N)		4	100						
CSB0500(N)		5	125	1,460 (6,494)	2,060 (9,163)	2,520 (11,210)	2,830 (12,588)		
CSB0600(N)		6	150						
CSB0800(N)		8	200	1,330 (5,916)	1,880 (8,363)	2,300 (10,231)	2,580 (11,476)		
CSB1000(N)		10	250						
CSB1200(N)		12	300	1,680 (7,470)	2,370 (10,540)	2,910 (12,940)	3,260 (14,500)		0.188, 40
CSB0100(N)		Longitudinal	1	25	1,290 (5,738)	1,240 (5,516)	1,260 (5,605)		1,400 (6,228)
CSB0125(N)	1 - 1/4		32	1,200 (5,338)	1,860 (8,274)			2,180 (9,697)	
CSB0150(N)	1 - 1/2		40						
CSB0200(N)	2		50	1,320 (5,872)	1,820 (8,096)	2,190 (9,742)	2,500 (11,121)		
CSB0250(N)	2 - 1/2		65						
CSB0300(N)	3		80	1,300 (5,783)	1,790 (7,962)	2,190 (9,742)	2,630 (11,699)		
CSB0400(N)	4		100						
CSB0500(N)	5		125	1,410 (6,272)	1,950 (8,674)	2,350 (10,453)	2,680 (11,921)		
CSB0600(N)	6		150						
CSB0800(N)	8		200	1,400 (6,228)	1,920 (8,541)	2,640 (11,743)	2,640 (11,743)		
CSB1000(N)	10		250						
CSB1200(N)	12		300	1,600 (7,110)	1,860 (8,270)	2,240 (9,960)	2,590 (11,520)	0.188, 40	

## Notes:

- FM approved when used with 1", 1-1/4" or 2" (DN25, DN32, DN40, DN50) NPS Schedule 40, GB/T 3091, EN 10255 (Heavy), AS 1074 (Heavy) or JIS G3454 brace pipe.
- Load ratings for Schedule 40 above may also be applied to AS 1074 (Heavy), GB/T 3091, EN 10255 (Heavy) and JIS G3454 pipe.
- Load ratings for Schedule 40 above may also be applied to AS 1074 (Medium), GB/T 3091, EN 10255 (Medium or Heavy), JIS G3452, FM approved Thinwall, and Schedule 40 pipes unless otherwise indicated.
- Load ratings for LW above refers to FM Approved Lightwall Pipe, commonly referred to as "Schedule 7". These ratings may also be applied to A1074 Lightwall, EN 10255 L, EN 10220, and GB/T 8163 pipe unless otherwise specified.
- Load ratings for "0.188 wall" above may be applied to any thicker walled pipe unless otherwise specified.
- \*Part numbers and article numbers are for EG only. Other coatings available. Contact customer service for availability.

FM Loads with 12 Gauge or Thicker Type A Strut as Brace Member									
EG Finish*	Orientation to Sprinkler Pipe	Service Pipe Size		Horizontal Load Rating				Pipe Schedule	
Part Number				Installation Angle					
		inch	mm	30° - 44°	45° - 59°	60° - 74°	75° - 90°		
CSB0100(N)	Lateral	1	25	1,040 (4,620)	1,470 (6,530)	1,800 (8,000)	2,010 (8,940)	LW, 10, 40	
CSB0125(N)		1-1/4	32	1,040 (4,620)	1,470 (6,530)	1,800 (8,000)	2,010 (8,940)		
CSB0150(N)		1-1/2	40	1,580 (7,020)	2,240 (9,960)	2,740 (12,180)	3,070 (13,650)		
CSB0200(N)		2	50	1,580 (7,020)	2,240 (9,960)	2,740 (12,180)	3,070 (13,650)		
CSB0250(N)		2-1/2	65	1,620 (7,200)	2,300 (10,230)	2,820 (12,540)	3,160 (14,050)		
CSB0300(N)		3	85	1,520 (6,760)	2,160 (9,600)	2,640 (11,740)	2,960 (13,160)		
CSB0400(N)		4	100	1,520 (6,760)	2,160 (9,600)	2,640 (11,740)	2,960 (13,160)		
CSB0500(N)		5	125	1,520 (6,760)	2,160 (9,600)	2,640 (11,740)	2,960 (13,160)		
CSB0600(N)		6	150	1,570 (6,980)	2,220 (9,870)	2,720 (12,090)	3,050 (13,560)		
CSB0800(N)		8	200	1,570 (6,980)	2,220 (9,870)	2,720 (12,090)	3,050 (13,560)		
CSB1000(N)		10	250	1,410 (6,270)	2,000 (8,890)	2,450 (10,890)	2,740 (12,180)		0.188, 40
CSB1200(N)		12	300	1,460 (6,490)	2,070 (9,200)	2,530 (11,250)	2,840 (12,630)		
CSB0100(N)	Longitudinal	1	25	660 (2,930)	580 (2,570)	640 (2,840)	NR	LW, 10, 40	
CSB0125(N)		1-1/4	32	660 (2,930)	580 (2,570)	640 (2,840)	NR		
CSB0150(N)		1-1/2	40	1,320 (5,870)	1,340 (5,960)	1,620 (7,200)	NR		
CSB0200(N)		2	50	890 (3,950)	1,220 (5,420)	1,830 (8,140)	NR		
CSB0250(N)		2-1/2	65	890 (3,950)	1,220 (5,420)	1,830 (8,140)	NR		
CSB0300(N)		3	85	890 (3,950)	1,220 (5,420)	1,830 (8,140)	NR		
CSB0400(N)		4	100	1,340 (5,960)	1,850 (8,220)	2,350 (10,450)	NR		
CSB0500(N)		5	125	1,340 (5,960)	1,850 (8,220)	2,350 (10,450)	NR		
CSB0600(N)		6	150	1,540 (6,850)	1,850 (8,220)	2,230 (9,910)	NR		
CSB0800(N)		8	200	1,270 (5,640)	1,750 (7,780)	2,160 (9,600)	NR		
CSB1000(N)		10	250	1,270 (5,640)	1,750 (7,780)	2,160 (9,600)	NR		0.188, 40
CSB1200(N)		12	300	1,390 (6,180)	1,750 (7,780)	2,110 (9,380)	NR		

Notes;

1. FM approved with 12 gauge or thicker type A strut as a brace member.
2. Load ratings for Schedule 40 above may also be applied to AS 1074 (Heavy), GB/T 3091, EN 10255 (Heavy) and JIS G3454 pipe.
3. Load ratings for Schedule 10 above may also be applied to AS 1074 (Medium), GB/T 3091, EN 10255 (Medium of Heavy), JIS G3452, FM approved Thinwall, and Schedule 40 pipes unless otherwise specified.
4. Load ratings for LW above refers to FM approved Lightwall Pipe, commonly referred to as "Schedule 7". These ratings may also be applied to AS 1074 Lightwall, EN 10255 L, EN 10220, and GB/T 8163 pipe unless otherwise specified.
5. Load ratings for "0.188" wall above may be applied to any thicker walled pipe unless otherwise specified.

\*Part numbers and article numbers are for EG only. Other coatings available. Contact customer service for availability.



nVent, nVent CADDY, nVent ERICO Cadweld, nVent ERICO Critec, nVent ERICO, nVent ERIFLEX, and nVent LENTON are owned by nVent or its global affiliates. All other trademarks are the property of their respective owners. nVent reserves the right to change specifications without prior notice.

TECHNICAL SUPPORT:  
www.nVent.com

CFS544\_H

4 OF 6

© 2016-2024 nVent. All Rights Reserved



No-Hub Cast-Iron Service Pipe						
EG Finish	Configuration	No-Hub Cast Iron Service Pipe** Size	Horizontal Load Rating***, lbs.			
Part Number			Angle, °			
		inch	30-44	45-59	60-74	75-90
CSB0150	Longitudinal	1-1/2	1100	1720	1780	2200
CSB0200		2	1020	1510	1910	2040
CSB0300		3	950	1440	1600	2110
CSB0400		4	1130	1390	1890	1800
CSB0500C		5	990	1540	1500	1500
CSB0600C		6	1090	1440	1500	1370
CSB0800		8	1040	1360	970	970
CSB1000		10	870	830	830	1230
CSB1200		12	750	950	950	990
CSB0150		Lateral	1-1/2	1220	1720	2110
CSB0200	2		1070	1510	1850	2060
CSB0300	3		1150	1630	2000	2230
CSB0400	4		1190	1680	2060	2300
CSB0500C	5		1150	1620	1990	2220
CSB0600C	6		1040	1470	1800	2010
CSB0800	8		1100	1560	1920	2140
CSB1000	10		1190	1680	2060	2300
CSB1200	12		1220	1730	2120	2370

\* - Part numbers are for EG only. Other coatings available. Contact customer service for availability.

\*\* - Cast Iron Service Pipe per the Cast Iron Soil Pipe Institute Standards 301

\*\*\* - Cast Iron Application application was evaluated to the requirements of ANSI/FM 1950; for use with 1 to 2 NPS Schedule 40 brace pipe



nVent, nVent CADDY, nVent ERICO, nVent GARDNER BENDER, nVent ILSICO, nVent KING INNOVATION, and nVent LENTON are owned by nVent or its global affiliates. All other trademarks are the property of their respective owners. nVent reserves the right to change specifications without prior notice.

TECHNICAL SUPPORT:  
www.nVent.com

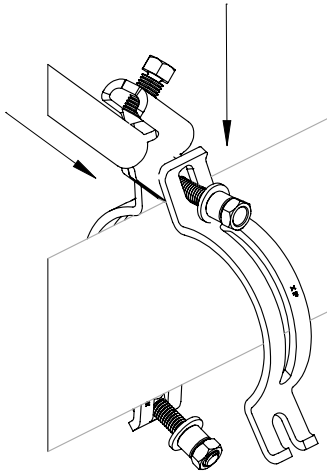
CFS544\_H

5 OF 6

© 2016-2024 nVent. All Rights Reserved

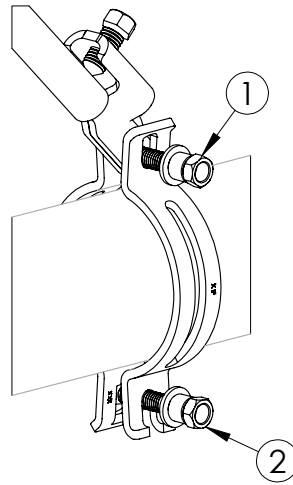


#1

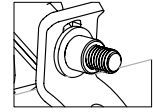
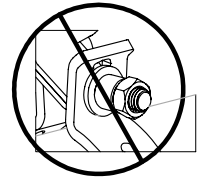


Insert brace pipe and drop clamp over service pipe

#2

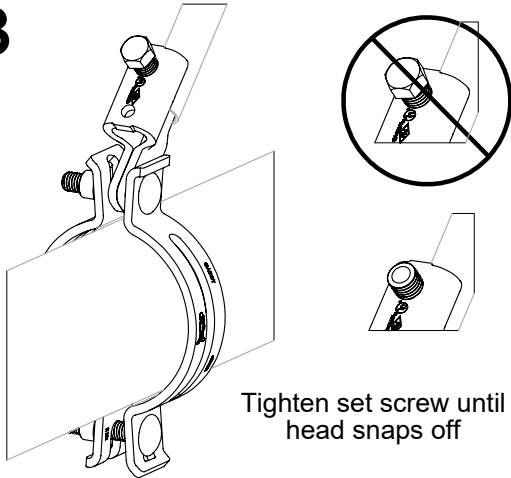


Tighten nuts until head snaps off



Note: Tighten Top Nut First

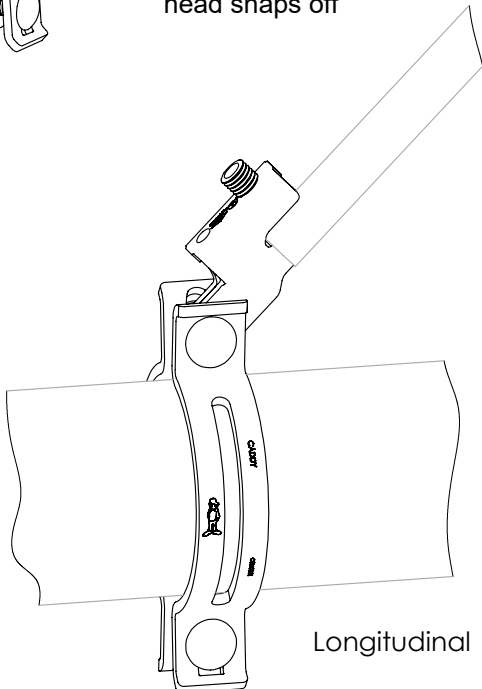
#3



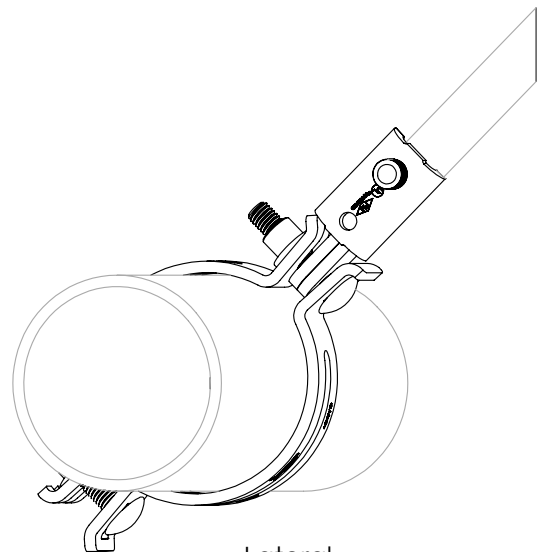
Tighten set screw until head snaps off

CSBXXXX(N) is a Sway Brace Fitting to be combined with a nVent CADDY brand Structural Attachment Fitting and "Bracing Pipe" to form a complete bracing assembly.

Sway Braces shall be installed in accordance with NFPA®-13.



Longitudinal



Lateral