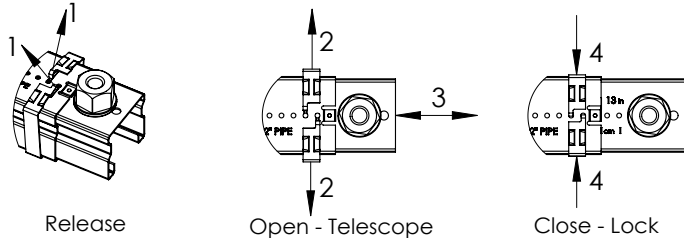
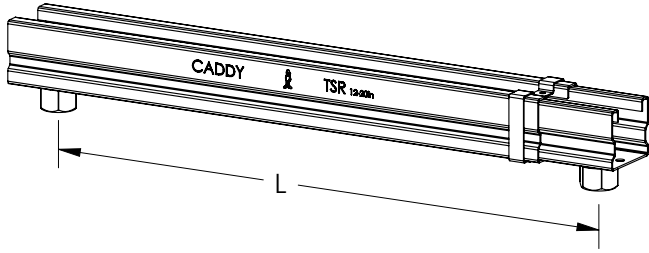


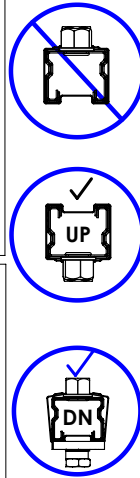
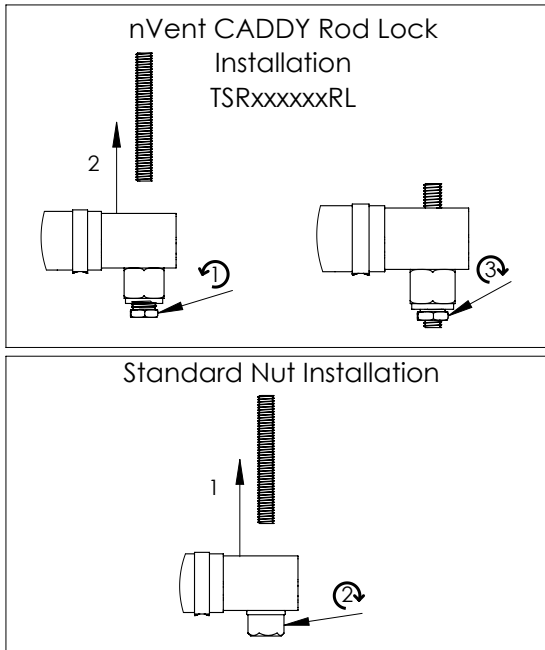
nVent CADDY Telescoping Strut Replacement

TSR1220, TSR3050; 12-20in, 30-50cm Span



Part Number	Article Number	Nut
TSR1220	—	3/8
TSR122025	—	1/4
TSR3050M8	366591	M8
TSR3050M10	366592	M10
TSR122038RL	—	3/8 nVent CADDY Rod Lock
TSR3050M8RL	390105	M8 nVent CADDY Rod Lock
TSR3050M10RL	390106	M10 nVent CADDY Rod Lock
TSR1220N	366593	NONE
TSR1220R	366594	NONE*

* nVent CADDY SN Nut Recommended For Retrofit, Use nVent CADDY SNSW For Strut Channel Down Application



Strut Position		
Part	Position	Note
TSR1220, TSR122025, TSR3050M8, TSR3050M10	UP, DN	DN position requires the use of the SNSW
TSR122038RL, TSR3050M8RL, TSR3050M10RL	UP only	DN position shall not be used with nVent CADDY Rod Lock part numbers
TSR1220N	UP, DN	See page two
TSR1220R	UP, DN	SN nut recommended, SNSW recommended for DN position

Max Working Load**		Range "L"	Load
	Point Load	12-16in (305-400mm)	300lb (1330N)
		16.25-20in (406-508mm)	200lb (880N)
	Distributed Load	12-20in (305-508mm)	300lb (1330N)

** For TSR1220R, See Reverse.

WARNING:

- nVent products shall be installed and used only as indicated in nVent product instruction sheets and training materials. Instruction sheets are available at www.nVent.com and from your nVent customer service representative.
- nVent products must never be used for a purpose other than the purpose for which they were designed or in a manner that exceeds specified load ratings.
- All instructions must be completely followed to ensure proper and safe installation and performance.
- Improper installation, misuse, misapplication or other failure to completely follow nVent's instructions and warnings may cause product malfunction, property damage, serious bodily injury and/or death, and void your warranty.
- Products that are manufactured using spring steel components shall be used only in a non-corrosive indoor environment.
- All pipe supports, hangers, intermediate components and structural attachments must **ONLY** be used as described herein and are **NEVER** to be used for any other purpose.

NOTE: All load ratings are for static conditions and do not account for dynamic loading such as wind, water or seismic loads, unless otherwise noted.

The customer is responsible for:

- Conformance to all governing codes.
- The integrity of structures to which the products are attached, including their capability of safely accepting the loads imposed, as evaluated by a qualified engineer.
- Using appropriate industry standard hardware as noted above.

SAFETY INSTRUCTIONS:

All governing codes and regulations and those required by the job site must be observed. Always use appropriate safety equipment such as eye protection, hard hat, and gloves as appropriate to the application.

nVent, nVent CADDY, nVent ERICO Cadweld, nVent ERICO Critec, nVent ERICO, nVent ERIFLEX, and nVent LENTON are owned by nVent or its global affiliates. All other trademarks are the property of their respective owners. nVent reserves the right to change specifications without prior notice.

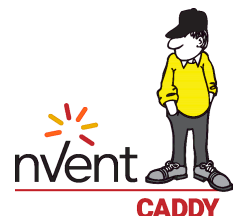


TECHNICAL SUPPORT:
www.nVent.com

CFS545_D

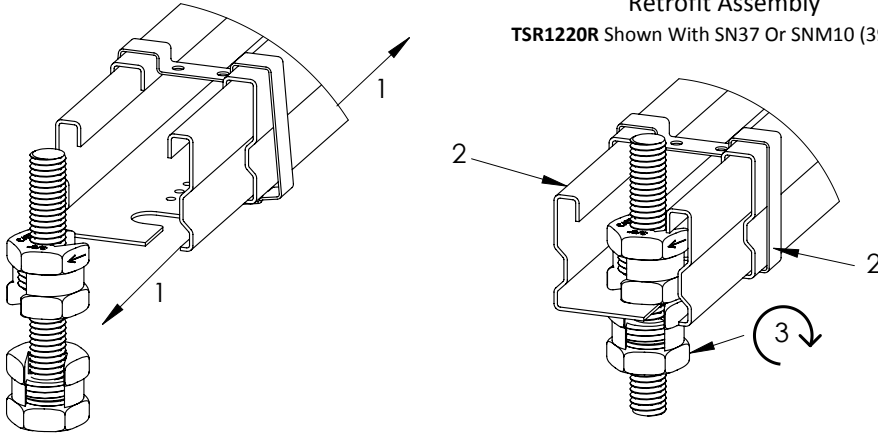
1 OF 2

© 2016-2018 nVent All Rights Reserved



Retrofit Assembly

TSR1220R Shown With SN37 Or SNM10 (390007)



TSR1220R Max Working Load		Range	Load
	Point Load	12-20in (305-508mm)	200lb (880N)
	Distributed Load		

No-Hardware Assembly

TSR1220N Shown with:

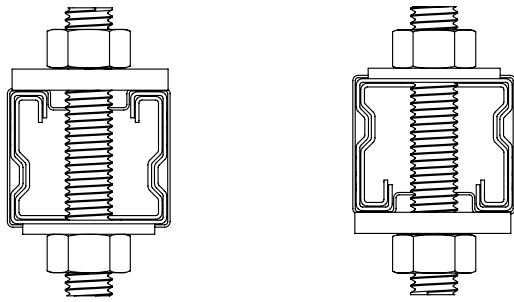
Nut: 0100050EG or 010M10 (Article 592060)

Washer: 0110037EG

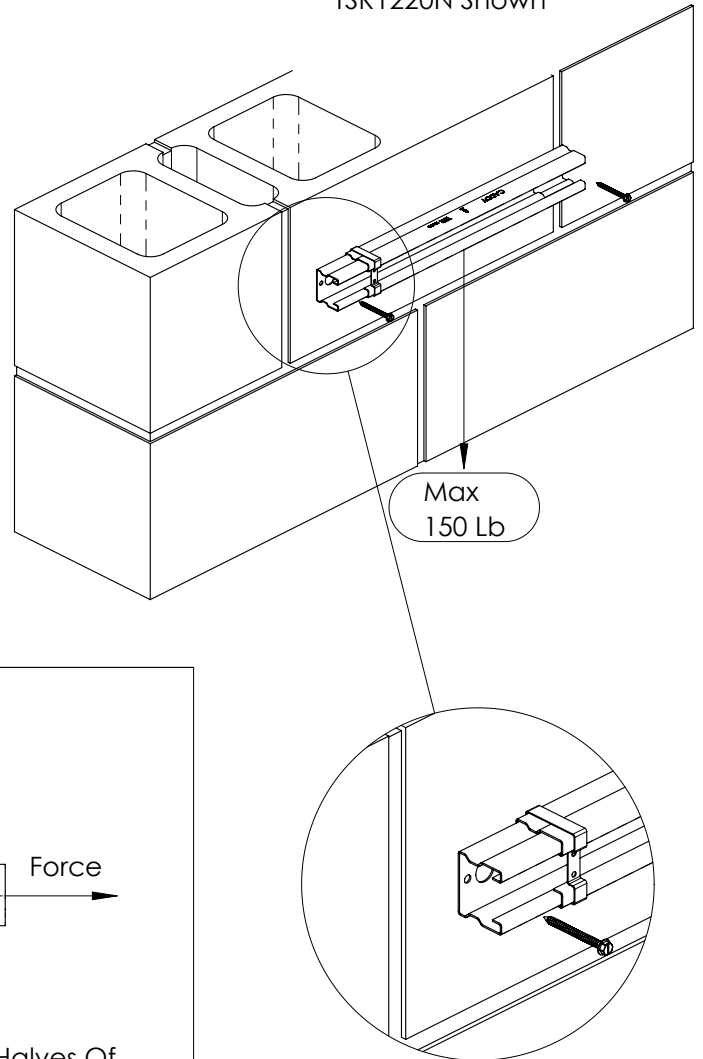
Washer: F150000EG, ZE100 (Article 313000), or PLN13 (Article 589940)

or

SNSWXX



**No Hardware Wall Mount
TSR1220N Shown**



Lateral Loading*
With The Installation Of The SMS8 Screw
Max Force 500 Lb, SF=1.5

SMS8 Screw-
Ensure SMS8 Screw Engages Both Halves Of
The TSR1220/TSR3050
*Excludes TSR1220R