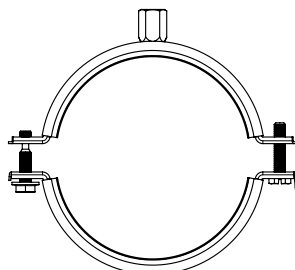


MFVI Macro-V Insulated M8/M10

For 80 - 600 mm duct sizes

Part Number	Article Number	Duct Size (mm)	Rod Size	Wrench size for M8/M10 Nut	Socket size for M6 screw	Tightening torque for M6 screw	Product Load Rating *
MFVI0080EG	586601	80	M8/M10	13 mm	10 mm	2 Nm	775 N
MFVI0090EG	586602	90					
MFVI0100EG	586603	100					
MFVI0112EG	586604	112					
MFVI0125EG	586605	125					
MFVI0140EG	586606	140					
MFVI0150EG	586607	150					
MFVI0160EG	586608	160					
MFVI0180EG	586609	180					
MFVI0200EG	586610	200					1,000 N
MFVI0224EG	586611	224					
MFVI0250EG	586612	250					
MFVI0280EG	586613	280					
MFVI0300EG	586614	300					
MFVI0315EG	586615	315					
MFVI0355EG	586616	355					
MFVI0400EG	586617	400					
MFVI0450EG	586618	450					
MFVI0500EG	586619	500					1,400 N
MFVI0560EG	586620	560					
MFVI0600EG	586621	600					

* RAL PRODUCT LOAD RATING PER RAL-GZ 655.



WARNING:

1. nVent products shall be installed and used only as indicated in nVent product instruction sheets and training materials. Instruction sheets are available at www.nVent.com and from your nVent customer service representative.
2. nVent products must never be used for a purpose other than the purpose for which they were designed or in a manner that exceeds specified load ratings.
3. All instructions must be completely followed to ensure proper and safe installation and performance.
4. Improper installation, misuse, misapplication or other failure to completely follow nVent's instructions and warnings may cause product malfunction, property damage, serious bodily injury and/or death, and void your warranty.
5. Products that are manufactured using spring steel components shall be used only in a non-corrosive indoor environment.
6. All pipe supports, hangers, intermediate components and structural attachments must **ONLY** be used as described herein and are **NEVER** to be used for any other purpose.

NOTE: All load ratings are for static conditions and do not account for dynamic loading such as wind, water or seismic loads, unless otherwise noted.

The customer is responsible for:

- a. Conformance to all governing codes.
- b. The integrity of structures to which the products are attached, including their capability of safely accepting the loads imposed, as evaluated by a qualified engineer.
- c. Using appropriate industry standard hardware as noted above.

SAFETY INSTRUCTIONS:

All governing codes and regulations and those required by the job site must be observed. Always use appropriate safety equipment such as eye protection, hard hat, and gloves as appropriate to the application.

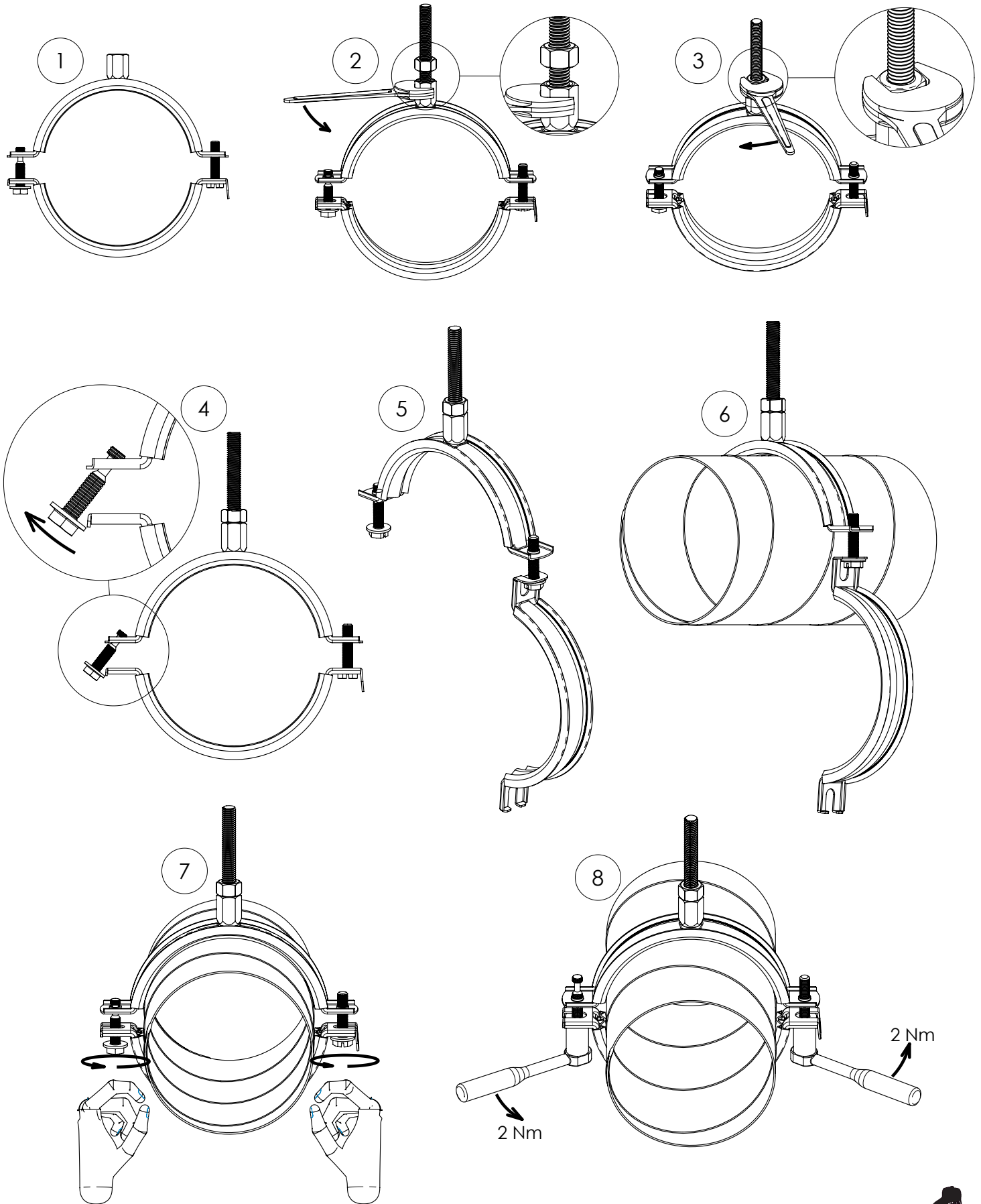
nVent, nVent CADDY, nVent ERICO Cadweld, nVent ERICO Critec, nVent ERICO, nVent ERIFLEX, and nVent LENTON are owned by nVent or its global affiliates. All other trademarks are the property of their respective owners. nVent reserves the right to change specifications without prior notice.

TECHNICAL SUPPORT:
www.nVent.com

CFS562_E

1 OF 4

© 2017 - 2020 nVent All Rights Reserved

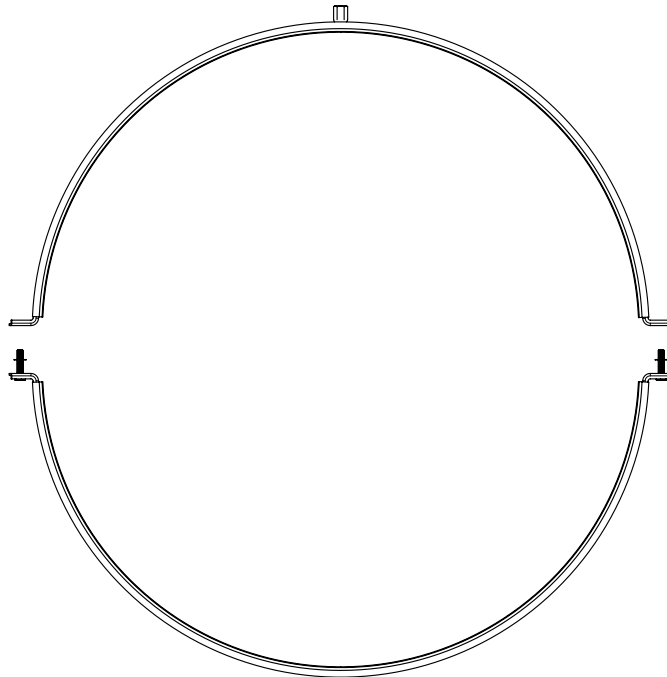


MFVI Macro-V Insulated M8/M10

For 630 - 1250 mm duct sizes

Part Number	Article Number	Duct Size (mm)	Rod Size	Wrench size for M8/M10 Nut	Socket size for M6 screw	Tightening torque for M6 screw	Product Load Rating *
MFVI0630EG	586622	630	M10/M8	13 mm	10 mm	2 Nm	1,900 N
MFVI0710EG	586623	710					
MFVI0800EG	586624	800					
MFVI0900EG	586625	900					2,200 N
MFVI1000EG	586626	1000					
MFVI1120EG	586627	1120					
MFVI1250EG	586628	1250					

* RAL PRODUCT LOAD RATING PER RAL-GZ 655.



WARNING:

1. nVent products shall be installed and used only as indicated in nVent product instruction sheets and training materials. Instruction sheets are available at www.nVent.com and from your nVent customer service representative.
2. nVent products must never be used for a purpose other than the purpose for which they were designed or in a manner that exceeds specified load ratings.
3. All instructions must be completely followed to ensure proper and safe installation and performance.
4. Improper installation, misuse, misapplication or other failure to completely follow nVent's instructions and warnings may cause product malfunction, property damage, serious bodily injury and/or death, and void your warranty.
5. Products that are manufactured using spring steel components shall be used only in a non-corrosive indoor environment.
6. All pipe supports, hangers, intermediate components and structural attachments must **ONLY** be used as described herein and are **NEVER** to be used for any other purpose.

NOTE: All load ratings are for static conditions and do not account for dynamic loading such as wind, water or seismic loads, unless otherwise noted.

The customer is responsible for:

- a. Conformance to all governing codes.
- b. The integrity of structures to which the products are attached, including their capability of safely accepting the loads imposed, as evaluated by a qualified engineer.
- c. Using appropriate industry standard hardware as noted above.

SAFETY INSTRUCTIONS:

All governing codes and regulations and those required by the job site must be observed. Always use appropriate safety equipment such as eye protection, hard hat, and gloves as appropriate to the application.

nVent, nVent CADDY, nVent ERICO Cadweld, nVent ERICO Critec, nVent ERICO, nVent ERIFLEX, and nVent LENTON are owned by nVent or its global affiliates. All other trademarks are the property of their respective owners. nVent reserves the right to change specifications without prior notice.

TECHNICAL SUPPORT:
www.nVent.com

CFS562_E

3 OF 4

© 2017 - 2020 nVent All Rights Reserved

