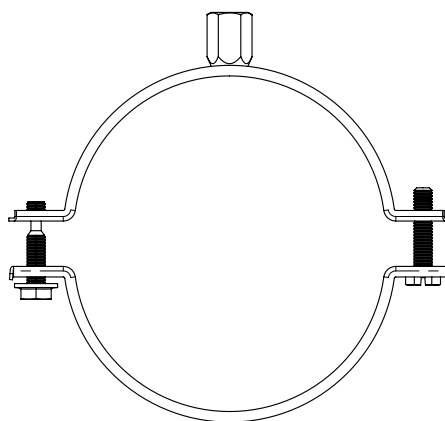


# MFVN Macro-V Non-Insulated M8/M10

## For 100 - 500 mm duct sizes

Part Number	Article Number	Duct Size (mm)	Rod Size	Wrench size for M8/M10 Nut	Socket size for M6 screw	Tightening torque for M6 screw	Product Load Rating
MFVN0100EG	586503	100	M8/M10	13 mm	10 mm	2 Nm	775 N *
MFVN0125EG	586505	125					
MFVN0140EG	586506	140					
MFVN0150EG	586507	150					
MFVN0160EG	586508	160					
MFVN0180EG	586509	180					
MFVN0200EG	586510	200					1,000 N *
MFVN0224EG	586511	224					
MFVN0250EG	586512	250					
MFVN0315EG	586515	315					
MFVN0355EG	586516	355					
MFVN0400EG	586517	400					
MFVN0450EG	586518	450					900 N
MFVN0500EG	586519	500					

\* RAL CERTIFIED PRODUCT LOAD RATING PER RAL-GZ 655.



#### WARNING:

1. nVent products shall be installed and used only as indicated in nVent product instruction sheets and training materials. Instruction sheets are available at [www.nVent.com](http://www.nVent.com) and from your nVent customer service representative.
2. nVent products must never be used for a purpose other than the purpose for which they were designed or in a manner that exceeds specified load ratings.
3. All instructions must be completely followed to ensure proper and safe installation and performance.
4. Improper installation, misuse, misapplication or other failure to completely follow nVent's instructions and warnings may cause product malfunction, property damage, serious bodily injury and/or death, and void your warranty.
5. Products that are manufactured using spring steel components shall be used only in a non-corrosive indoor environment.
6. All pipe supports, hangers, intermediate components and structural attachments must **ONLY** be used as described herein and are **NEVER** to be used for any other purpose.

NOTE: All load ratings are for static conditions and do not account for dynamic loading such as wind, water or seismic loads, unless otherwise noted.

The customer is responsible for:

- a. Conformance to all governing codes.
- b. The integrity of structures to which the products are attached, including their capability of safely accepting the loads imposed, as evaluated by a qualified engineer.
- c. Using appropriate industry standard hardware as noted above.

#### SAFETY INSTRUCTIONS:

All governing codes and regulations and those required by the job site must be observed. Always use appropriate safety equipment such as eye protection, hard hat, and gloves as appropriate to the application.

nVent, nVent CADDY, nVent ERICO Cadweld, nVent ERICO Critec, nVent ERICO, nVent ERIFLEX, and nVent LENTON are owned by nVent or its global affiliates. All other trademarks are the property of their respective owners. nVent reserves the right to change specifications without prior notice.

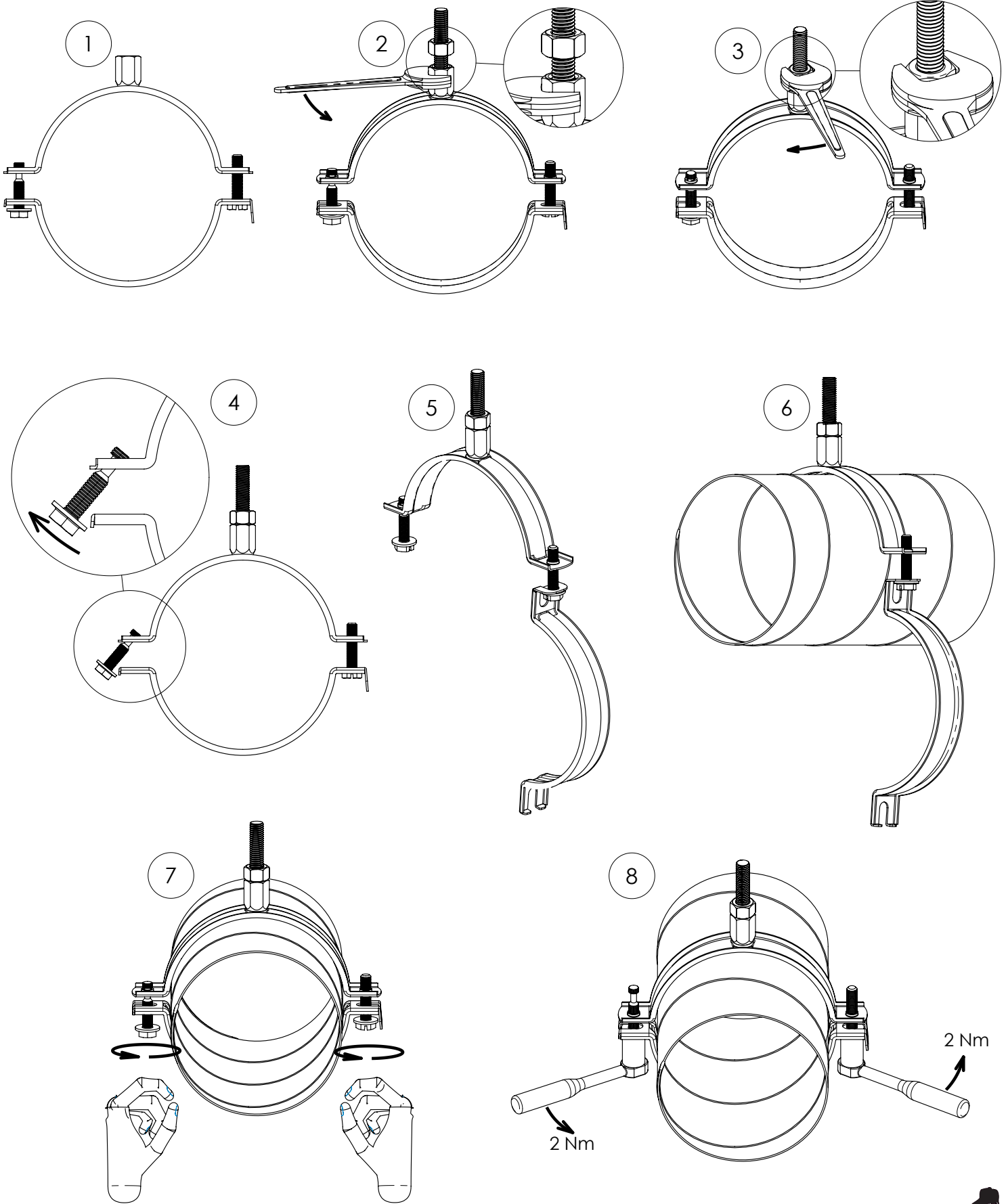
TECHNICAL SUPPORT:  
[www.nVent.com](http://www.nVent.com)

CFS563\_E

1 OF 4

© 2017 - 2020 nVent All Rights Reserved

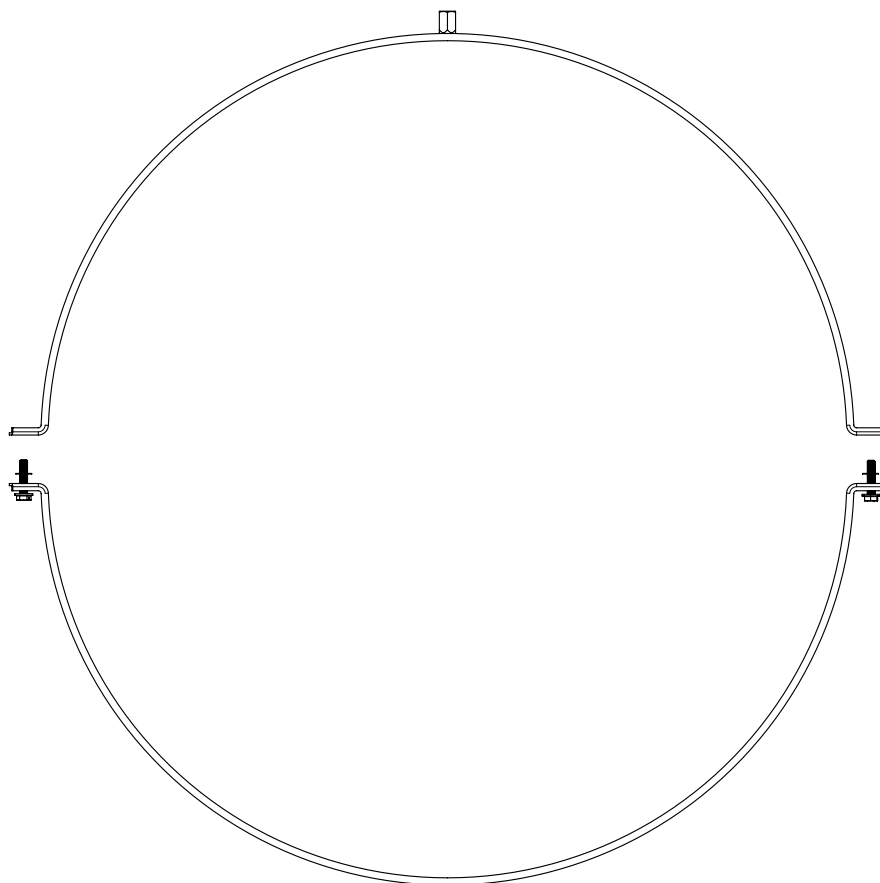




# MFVN Macro-V Non-Insulated M8/M10

## For 630 - 1000 mm Duct Sizes

Part Number	Article Number	Duct Size (mm)	Rod Size	Wrench size for M8/M10 Nut	Socket size for M6 screw	Tightening torque for M6 screw	Product Load Rating
MFVN0630EG	586522	630	M10/M8	13 mm	10 mm	2 Nm	1,150 N
MFVN0800EG	586524	800					1,400 N
MFVN1000EG	586526	1000					1,400 N

**WARNING:**

- nVent products shall be installed and used only as indicated in nVent product instruction sheets and training materials. Instruction sheets are available at [www.nVent.com](http://www.nVent.com) and from your nVent customer service representative.
- nVent products must never be used for a purpose other than the purpose for which they were designed or in a manner that exceeds specified load ratings.
- All instructions must be completely followed to ensure proper and safe installation and performance.
- Improper installation, misuse, misapplication or other failure to completely follow nVent's instructions and warnings may cause product malfunction, property damage, serious bodily injury and/or death, and void your warranty.
- Products that are manufactured using spring steel components shall be used only in a non-corrosive indoor environment.
- All pipe supports, hangers, intermediate components and structural attachments must **ONLY** be used as described herein and are **NEVER** to be used for any other purpose.

NOTE: All load ratings are for static conditions and do not account for dynamic loading such as wind, water or seismic loads, unless otherwise noted.

The customer is responsible for:

- Conformance to all governing codes.
- The integrity of structures to which the products are attached, including their capability of safely accepting the loads imposed, as evaluated by a qualified engineer.
- Using appropriate industry standard hardware as noted above.

**SAFETY INSTRUCTIONS:**

All governing codes and regulations and those required by the job site must be observed. Always use appropriate safety equipment such as eye protection, hard hat, and gloves as appropriate to the application.

nVent, nVent CADDY, nVent ERICO Cadweld, nVent ERICO Critec, nVent ERICO, nVent ERIFLEX, and nVent LENTON are owned by nVent or its global affiliates. All other trademarks are the property of their respective owners. nVent reserves the right to change specifications without prior notice.

TECHNICAL SUPPORT:  
[www.nVent.com](http://www.nVent.com)

CFS563\_E

3 OF 4

© 2017 - 2020 nVent All Rights Reserved



