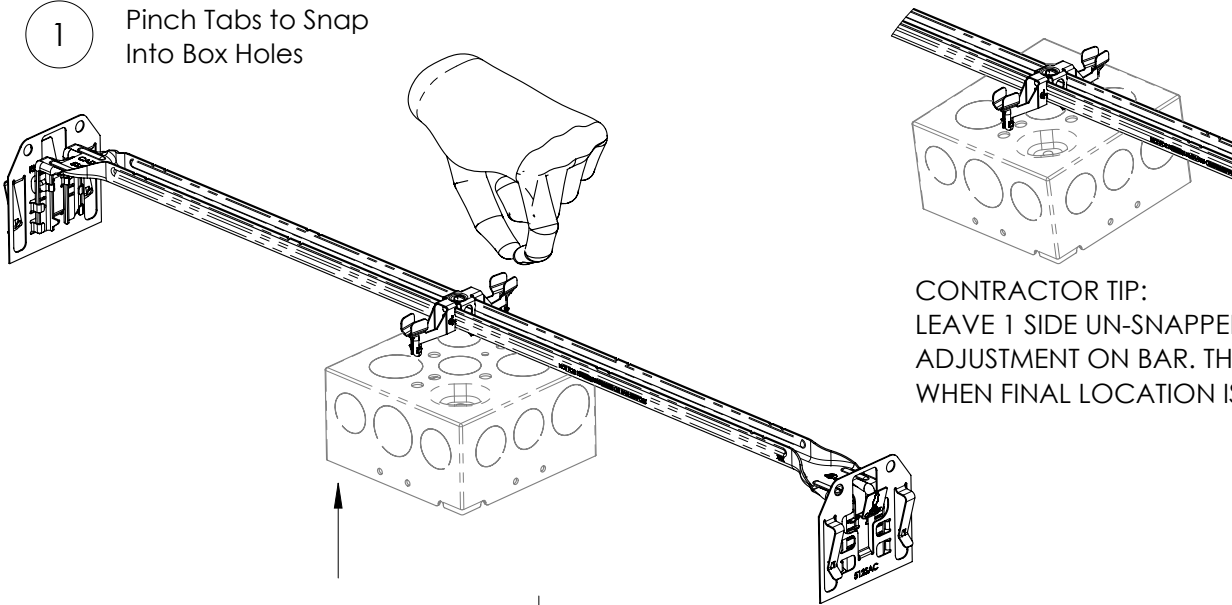


512SA T-Grid Box Hanger Hanger Assembly

PART NUMBER	T-GRID SPAN	BOXES	DESCRIPTION
512SA12	12"	1-1/2" AND 2-1/8"	BOX HANGER ASSEMBLY FOR 12" SPAN
512SA	24"	1-1/2" AND 2-1/8"	BOX HANGER ASSEMBLY FOR 24" SPAN
512SAT	24"	2-1/8" AND 3-1/2"	BOX HANGER ASSEMBLY FOR 24" SPAN
512SA48	48"	1-1/2" AND 2-1/8"	BOX HANGER ASSEMBLY FOR 48" SPAN
512X*	ANY	ANY	SPARE BOX ATTACHMENT CLIP, U.S. BOXES

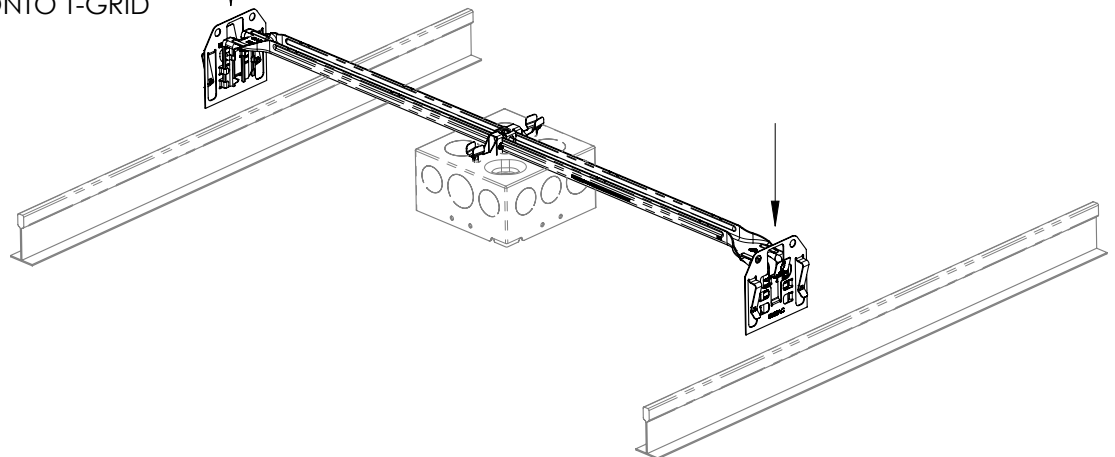
*NOT FOR CANADIAN BOXES

1 Pinch Tabs to Snap Into Box Holes



CONTRACTOR TIP:
LEAVE 1 SIDE UN-SNAPPED FOR EASY
ADJUSTMENT ON BAR. THEN SNAP
WHEN FINAL LOCATION IS DETERMINED

2 PRESS ENDS ONTO T-GRID



WARNING:

- nVent products shall be installed and used only as indicated in nVent product instruction sheets and training materials. Instruction sheets are available at www.nVent.com and from your nVent customer service representative.
- nVent products must never be used for a purpose other than the purpose for which they were designed or in a manner that exceeds specified load ratings.
- All instructions must be **completely** followed to ensure proper and safe installation and performance.
- Improper installation, misuse, misapplication or other failure to completely follow nVent's instructions and warnings may cause product malfunction, property damage, serious bodily injury and/or death, and void your warranty.
- Products that are manufactured using spring steel components shall be used only in a non-corrosive indoor environment.
- All pipe supports, hangers, intermediate components and structural attachments must **ONLY** be used as described herein and are **NEVER** to be used for any other purpose.

NOTE: All load ratings are for static conditions and do not account for dynamic loading such as wind, water or seismic loads, unless otherwise noted.

The customer is responsible for:

- Conformance to all governing codes.
- The integrity of structures to which the products are attached, including their capability of safely accepting the loads imposed, as evaluated by a qualified engineer.
- Using appropriate industry standard hardware as noted above.

SAFETY INSTRUCTIONS:

All governing codes and regulations and those required by the job site must be observed. Always use appropriate safety equipment such as eye protection, hard hat, and gloves as appropriate to the application.

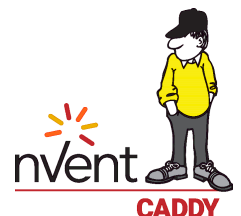
nVent, nVent CADDY, nVent ERICO Cadweld, nVent ERICO Critec, nVent ERICO, nVent ERIFLEX, and nVent LENTON are owned by nVent or its global affiliates. All other trademarks are the property of their respective owners. nVent reserves the right to change specifications without prior notice.

TECHNICAL SUPPORT:
www.nVent.com

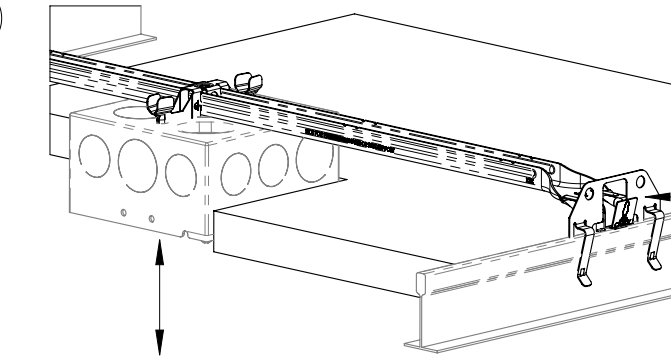
CFS621_B

1 OF 2

© 2021 nVent All Rights Reserved

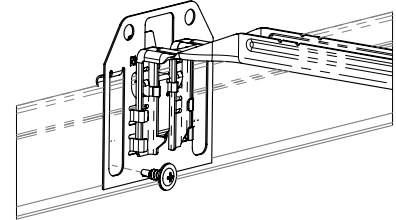


3



SLIDE BAR UP/DOWN TO DESIRED LOCATION

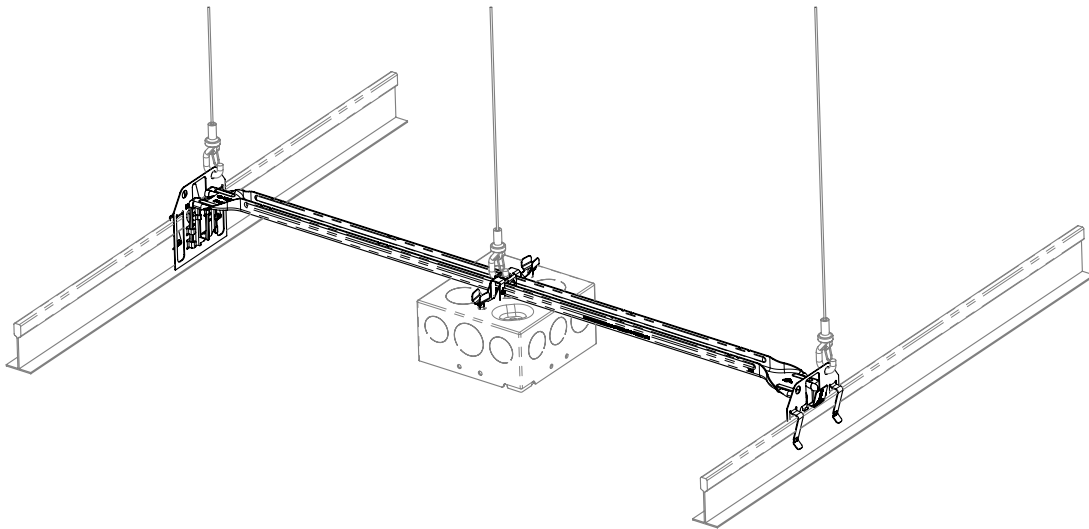
PRESS BUTTON TO UNLOCK HEIGHT ADJUSTMENT



ADD SCREWS THROUGH BACK WHEN REQUIRED TO FASTEN BRACKET TO T-GRID

4

OPTIONAL DROP WIRE LOCATIONS ACCOMODATE SLK15 HOOKS



ADDITIONAL 512X CLIPS CAN ACCOMODATE MULTIPLE BOXES

