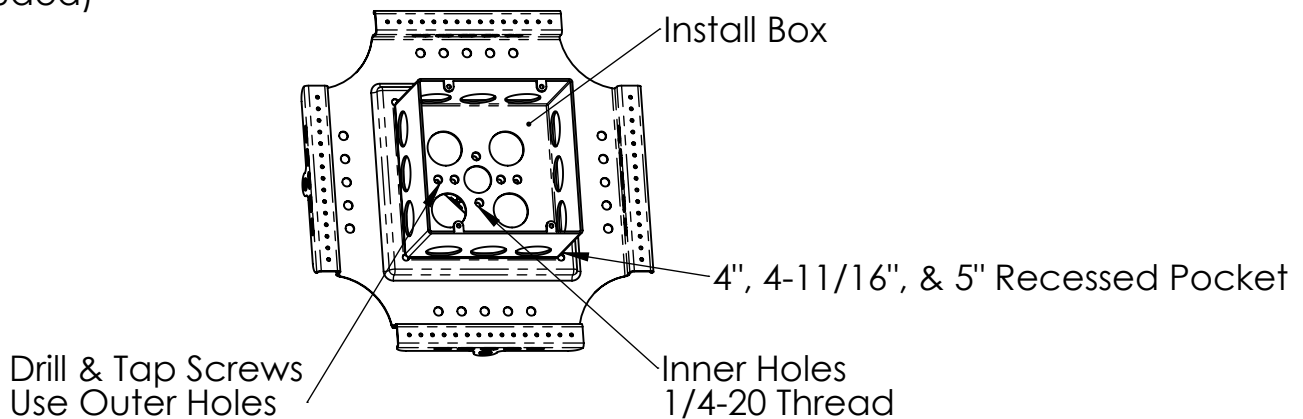


BCSP Series Box Conduit Support Platform

Part Number	Box Size	Threaded Rod Size	Fixture / Luminaire Support (lb)	
			Horizontal Mount*	Vertical Mount
BCSP45RS25	4" - 5"	1/4-20	110	7
BCSP45	4" - 5"	3/8-16	110	7
BCSP612	6" - 12"	3/8-16	110	7

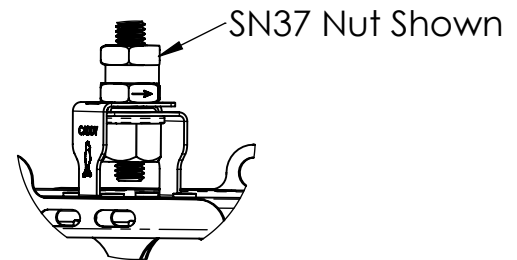
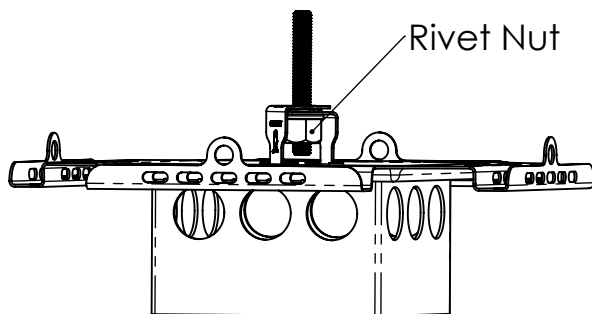
* In Canada, Maximum Rated Load is 50 lb.

- ① Position 4", 4-11/16", or 5" Box into Recessed Pocket. Fasten Box Using 1/4-20 Bolts or Drill & Tap Screws (Hardware To Install Box & Box Not Included)



- ② Horizontal Box Hanging: Rotate Rivet Nut On Hanging Rod

Optional: Use CADDY SN Series Nut or Hex Nut To Eliminate Rotation Of BCSP Assembly On Rod (Nut Not Included)



WARNING:

- nVent products shall be installed and used only as indicated in nVent product instruction sheets and training materials. Instruction sheets are available at www.nVent.com and from your nVent customer service representative.
- nVent products must never be used for a purpose other than the purpose for which they were designed or in a manner that exceeds specified load ratings.
- All instructions must be **completely** followed to ensure proper and safe installation and performance.
- Improper installation, misuse, misapplication or other failure to completely follow nVent's instructions and warnings may cause product malfunction, property damage, serious bodily injury and/or death, and void your warranty.
- Products that are manufactured using spring steel components shall be used only in a non-corrosive indoor environment.
- All pipe supports, hangers, intermediate components and structural attachments must **ONLY** be used as described herein and are **NEVER** to be used for any other purpose.

NOTE: All load ratings are for static conditions and do not account for dynamic loading such as wind, water or seismic loads, unless otherwise noted.

The customer is responsible for:

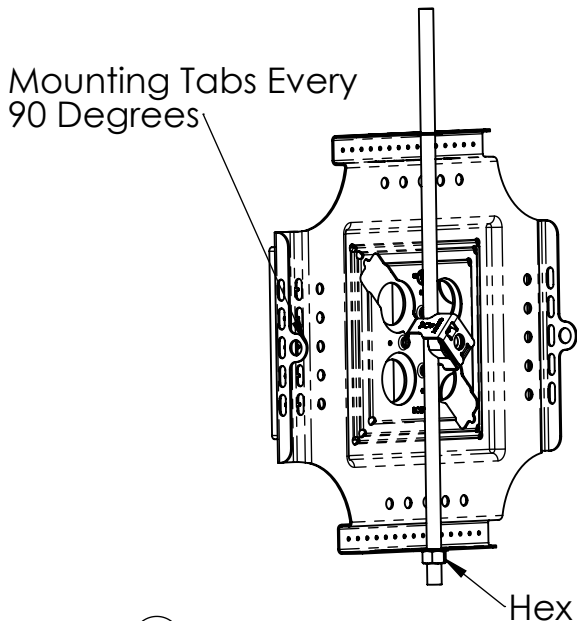
- Conformance to all governing codes.
- The integrity of structures to which the products are attached, including their capability of safely accepting the loads imposed, as evaluated by a qualified engineer.
- Using appropriate industry standard hardware as noted above.

SAFETY INSTRUCTIONS:

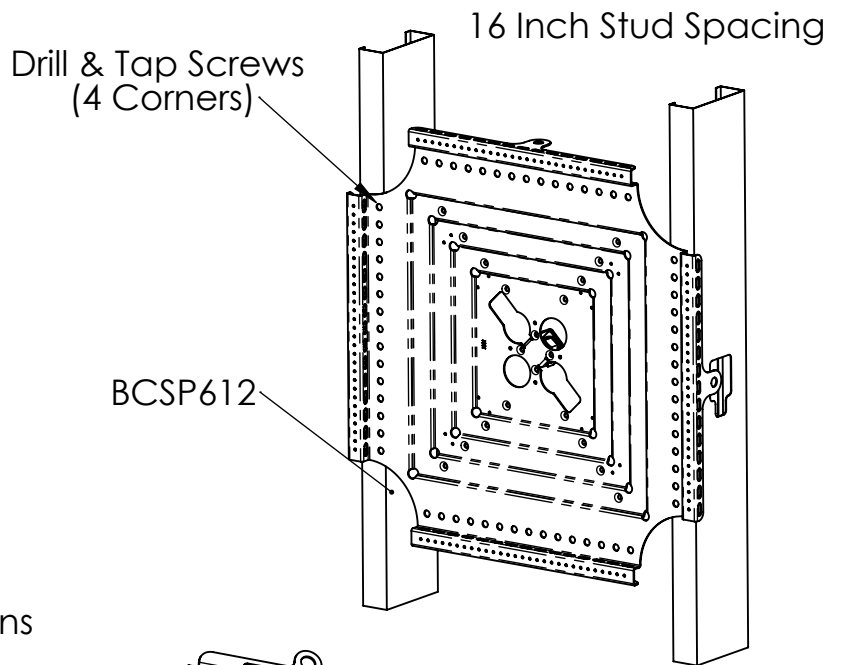
All governing codes and regulations and those required by the job site must be observed. Always use appropriate safety equipment such as eye protection, hard hat, and gloves as appropriate to the application.

nVent, nVent CADDY, nVent ERICO Cadweld, nVent ERICO Critec, nVent ERICO, nVent ERIFLEX, and nVent LENTON are owned by nVent or its global affiliates. All other trademarks are the property of their respective owners. nVent reserves the right to change specifications without prior notice.

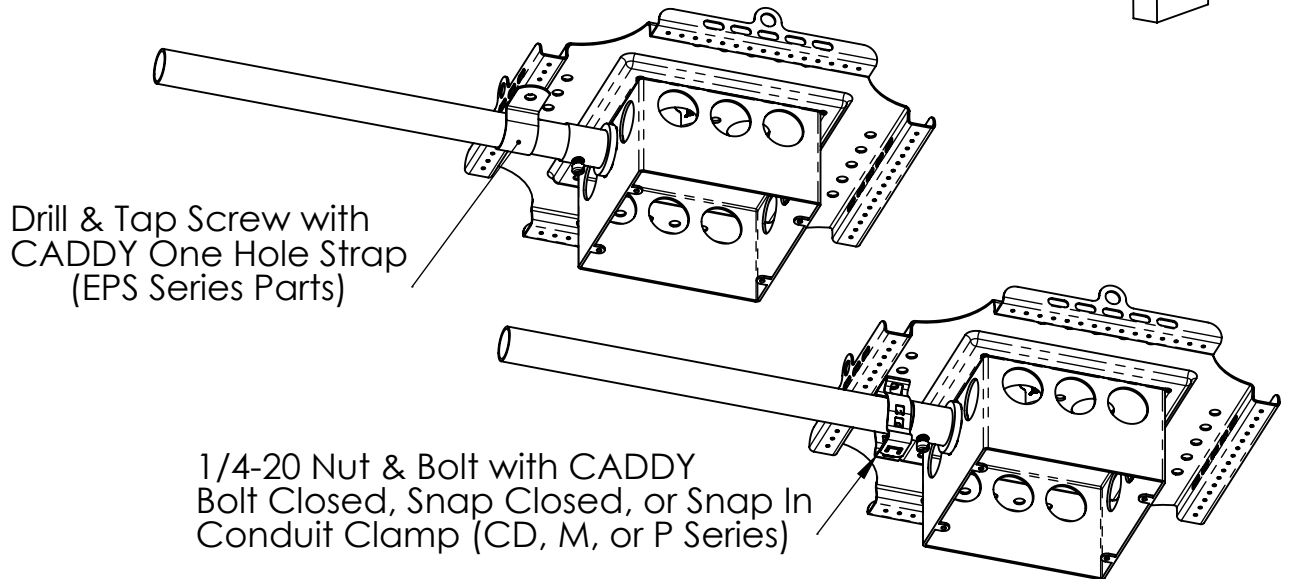
③ Vertical Box Hanging Rod: Install Threaded Rod Through Mounting Tabs Securing With Hex Nut (Hex Nut Not Included)



④ Vertical Box Hanging Wall: Place Between 16" Stud Spacing & Fasten With Drill & Tap Screws Four Corners



⑤ Conduit Attachment Options



Tool Free Conduit Attachments

