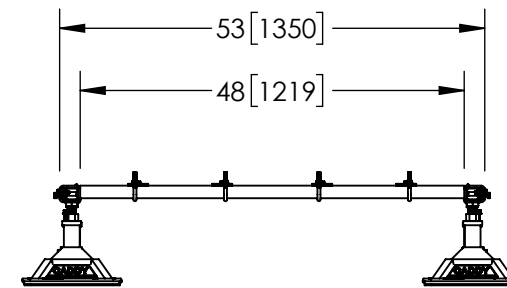
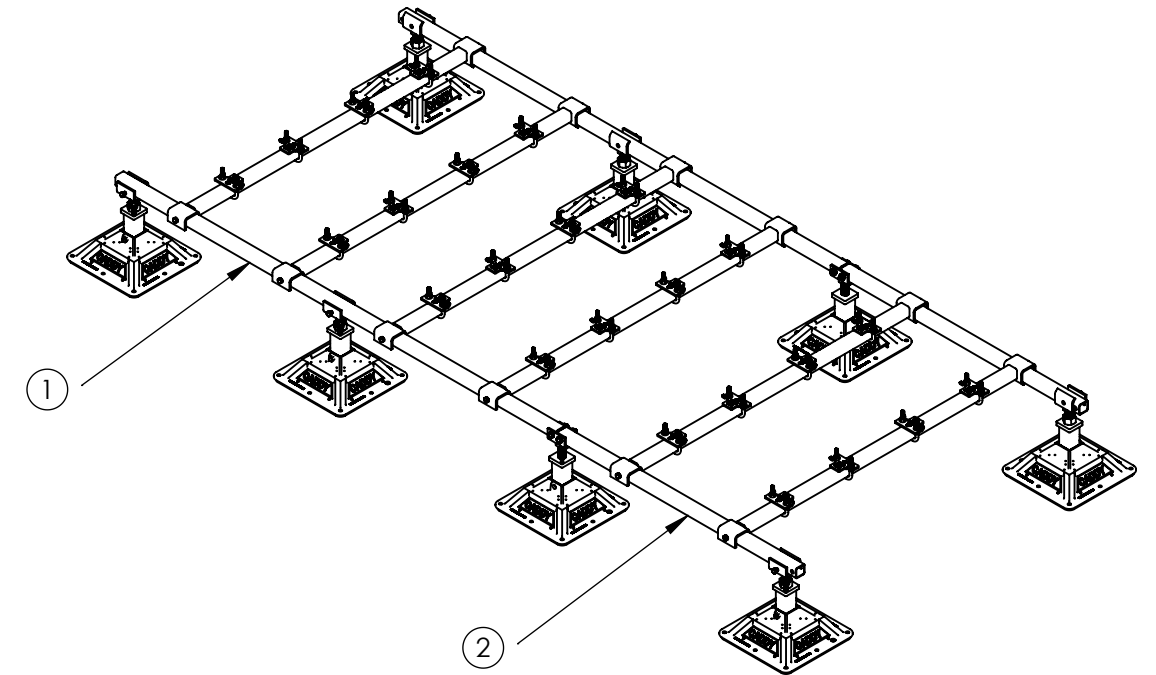
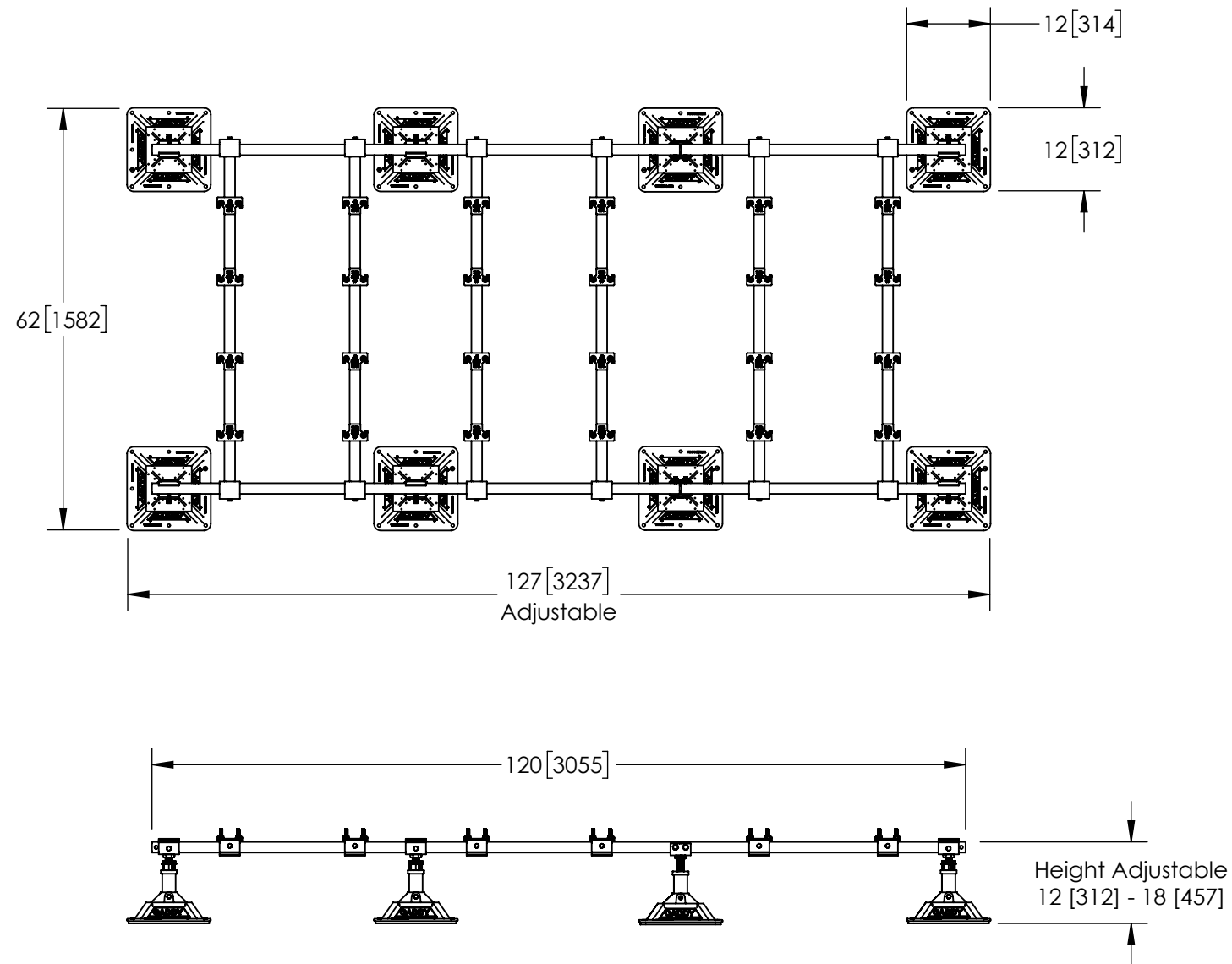


Item	Part Number	Article Number	Description	Frame Dimensions in [mm]	Total Static Load lbf [N]	Quantity
①	PEK6B	360427	CADDY PYRAMID Equipment Support Kit	120 [3055] X 48 [1219]	3360 [14946]	1
②	PEKEF	360493	CADDY PYRAMID Frame Extension			1



This document and the contents thereof is the property of nVent and is furnished to you for information only. All dimensions and tolerances are in inches [mm], unless otherwise specified. Revisions are to be computer processed. No manual changes permitted. This document is not to be used as an instruction sheet.

WARNING:

- nVent products shall be installed and used only as indicated in nVent product instruction sheets and training materials. Instruction sheets are available at www.nVent.com and from your nVent customer service representative.
- nVent products must never be used for a purpose other than the purpose for which they were designed or in a manner that exceeds specified load ratings.
- All instructions must be completely followed to ensure proper and safe installation and performance.
- Improper installation, misuse, misapplication or other failure to completely follow nVent's instructions and warnings may cause product malfunction, property damage, serious bodily injury and/or death, and void your warranty.
- Products that are manufactured using spring steel components shall be used only in a non-corrosive indoor environment.
- All pipe supports, hangers, intermediate components and structural attachments must ONLY be used as described herein and are NEVER to be used for any other purpose.

NOTE: All load ratings are for static conditions and do not account for dynamic loading such as wind, water or seismic loads, unless otherwise noted.

The customer is responsible for:

- Conformance to all governing codes.
- The integrity of structures to which the products are attached, including their capability of safely accepting the loads imposed, as evaluated by a qualified engineer.
- Using appropriate industry standard hardware as noted above.

SAFETY INSTRUCTIONS:

All governing codes and regulations and those required by the job site must be observed. Always use appropriate safety equipment such as eye protection, hard hat, and gloves as appropriate to the application.

nVent, nVent CADDY, nVent ERICO Cadweld, nVent ERICO Critec, nVent ERICO, nVent ERIFLEX, and nVent LENTON are owned by nVent or its global affiliates. All other trademarks are the property of their respective owners. nVent reserves the right to change specifications without prior notice.

Notes:

- Static loads must be stable and spread evenly across frame.
- The unit(s) to be supported must be secured to the frame.

REV	DESCRIPTION	ESN #	DATE	DRN	CHK	APP	QA	MFG
A	RELEASE TO MANUFACTURE	1014713	20OCT20	MNB	TAD	KMD	-	-
Tolerance (Inch) Unless Noted Angular Tolerance: ±1° Fractional Tolerance: ±1/32 Two Place Decimal: ±0.01 Three Place Decimal: ±0.005					Third Angle Projection 			
Tolerance [mm] Unless Noted Angular Tolerance: ±1° One Place Decimal: ±0.3 Two Place Decimal: ±0.13								
Title: CADDY PYRAMID Equipment Support Kit PEK6B PEKEF		Scale: 1:24		DWG: CRSPEK6B_PEKEF			REV: A	
B	Size	SHT	1	Of	7			

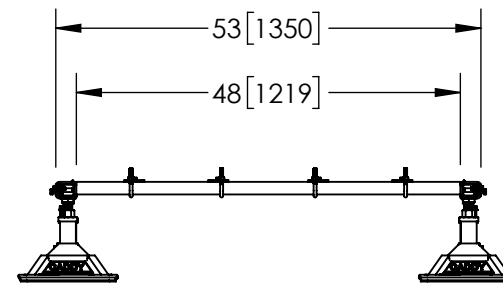
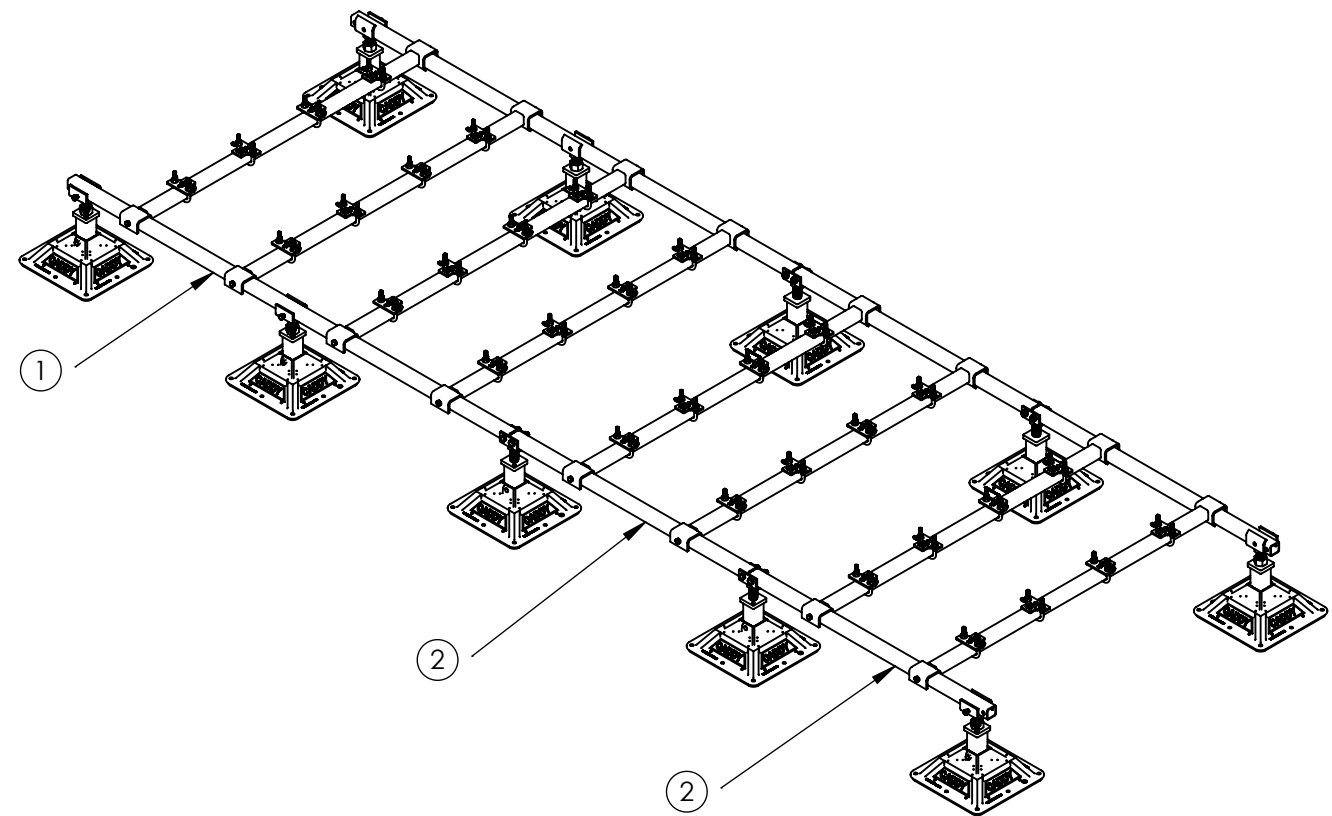
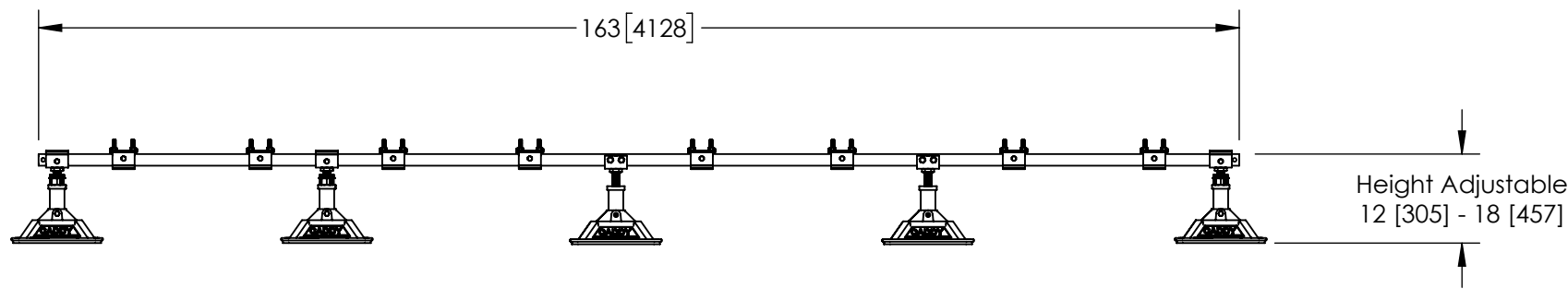
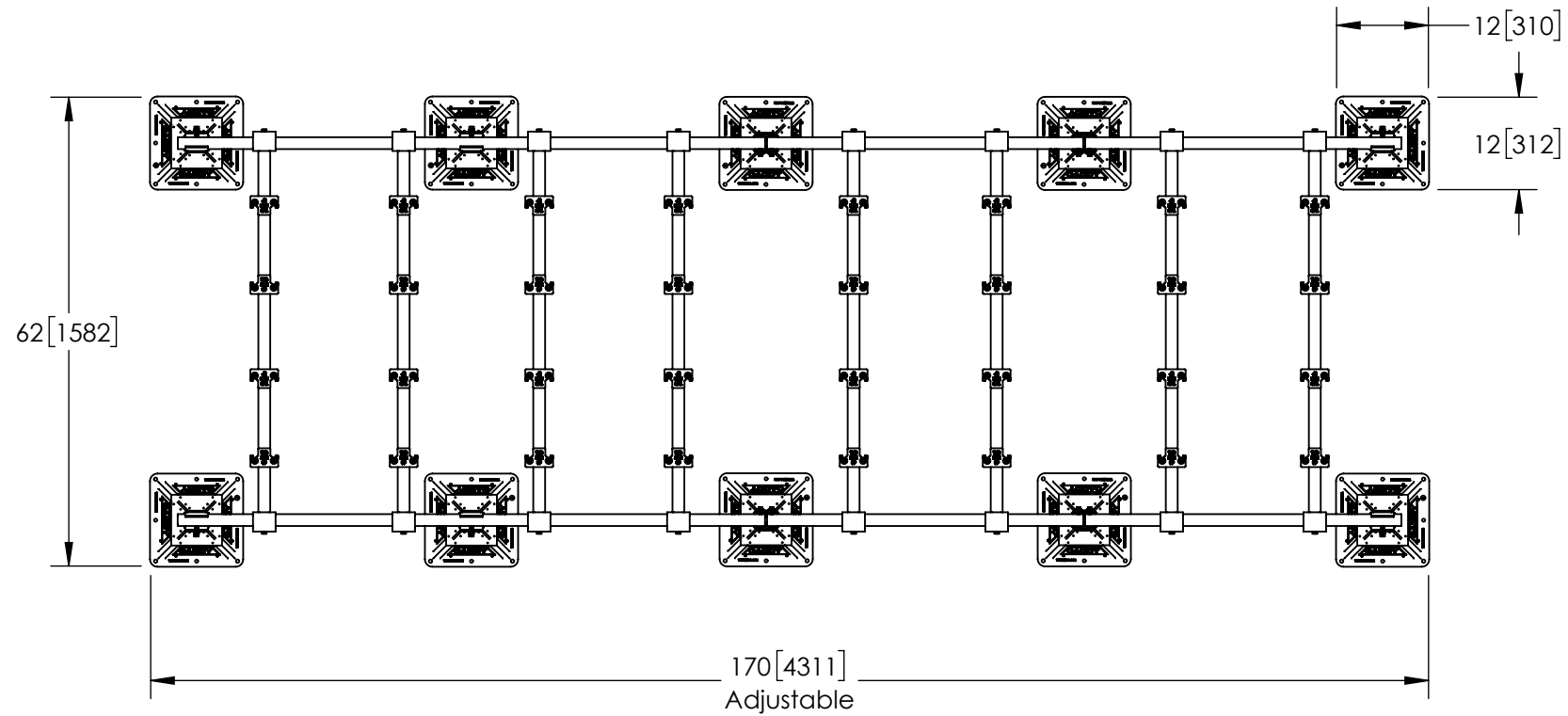


TECHNICAL SUPPORT:
www.nVent.com

CRSPEK6B_PEKEF _ A

© 2020 nVent All Rights Reserved

Item	Part Number	Article Number	Description	Frame Dimensions in [mm]	Total Static Load lbf [N]	Quantity
①	PEK6B	360427	CADDY PYRAMID Equipment Support Kit	163 [4128] X 48 [1219]	4480 [19928]	1
②	PEKEF	360493	CADDY PYRAMID Frame Extension			2



Notes:

1. Static loads must be stable and spread evenly across frame.
2. The unit(s) to be supported must be secured to the frame.



nVent, nVent CADDY, nVent ERICO Cadweld, nVent ERICO Critec, nVent ERICO, nVent ERIFLEX, and nVent LENTON are owned by nVent or its global affiliates. All other trademarks are the property of their respective owners. nVent reserves the right to change specifications without prior notice.

TECHNICAL SUPPORT: www.nVent.com

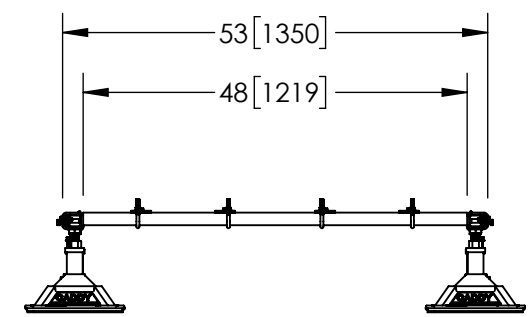
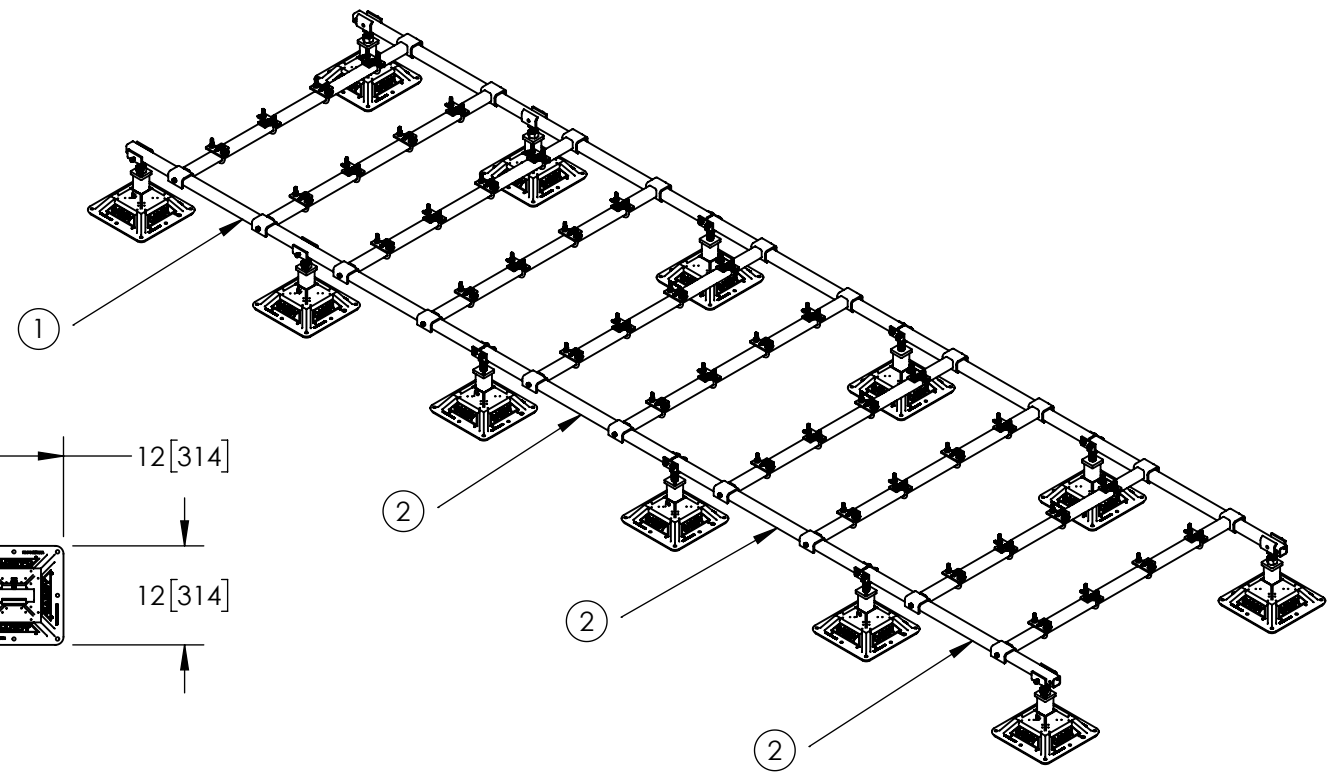
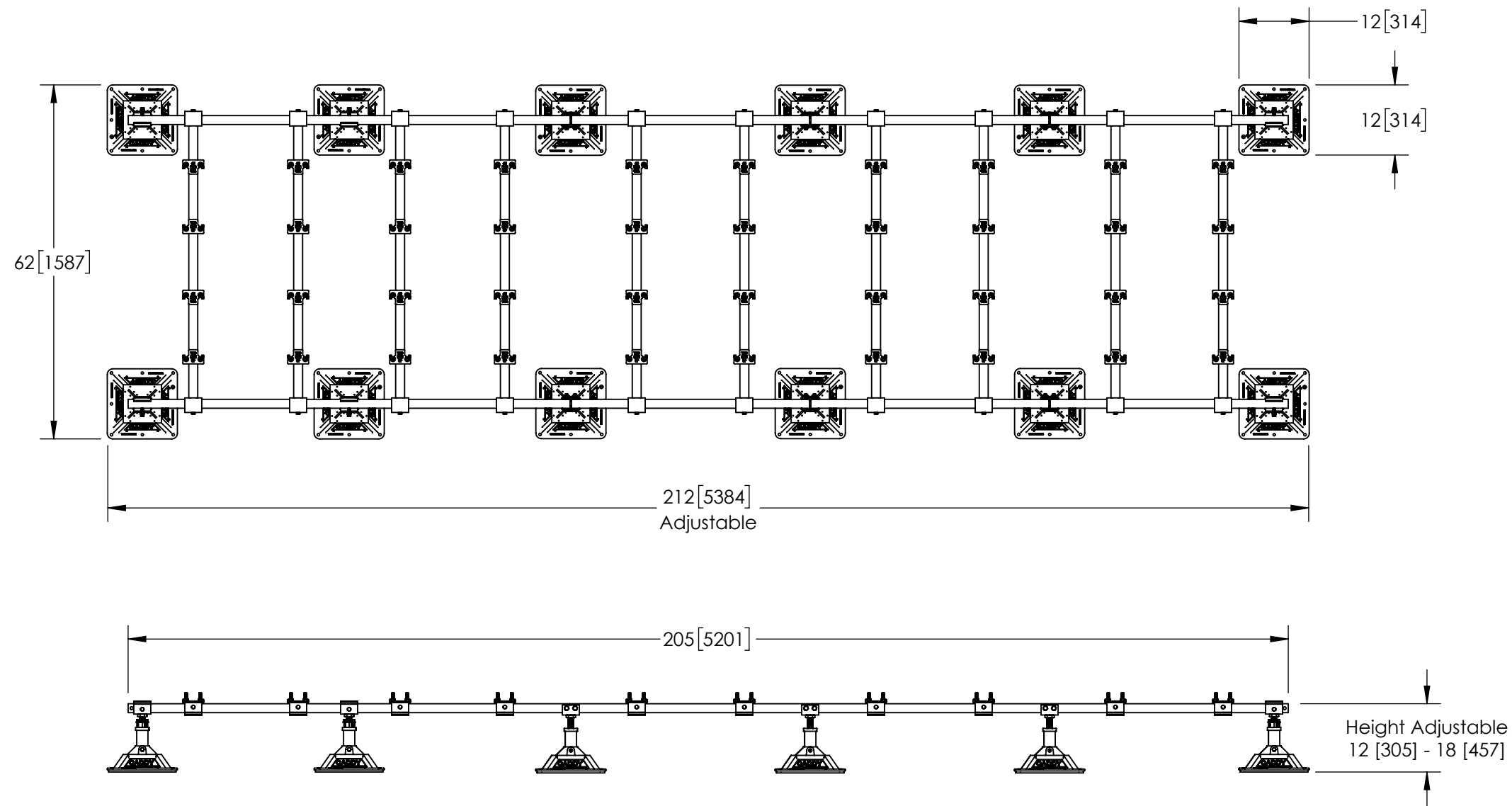
CRSPEK6B_PEKEF _ A

© 2020 nVent All Rights Reserved

REV	DESCRIPTION	ESN #	DATE	DRN	CHK	APP	QA	MFG
A	RELEASE TO MANUFACTURE	1014713	20OCT20	MNB	TAD	KMD	-	-

Tolerance (Inch) Unless Noted Angular Tolerance: ±1° Fractional Tolerance: ±1/32 Two Place Decimal: ±0.01 Three Place Decimal: ±0.005	 Title: CADDY PYRAMID Equipment Support Kit PEK6B PEKEF	Third Angle Projection	
Tolerance [mm] Unless Noted Angular Tolerance: ±1° One Place Decimal: ±0.3 Two Place Decimal: ±0.13		Scale 1:24	DWG CRSPEK6B_PEKEF

Item	Part Number	Article Number	Description	Frame Dimensions in [mm]	Total Static Load lbf [N]	Quantity
①	PEK6B	360427	CADDY PYRAMID Equipment Support Kit	205 [5201] X 48 [1219]	5600 [24910]	1
②	PEKEF	360493	CADDY PYRAMID Frame Extension			3



Notes:

1. Static loads must be stable and spread evenly across frame.
2. The unit(s) to be supported must be secured to the frame.



nVent, nVent CADDY, nVent ERICO Cadweld, nVent ERICO Critec, nVent ERICO, nVent ERIFLEX, and nVent LENTON are owned by nVent or its global affiliates. All other trademarks are the property of their respective owners. nVent reserves the right to change specifications without prior notice.

TECHNICAL SUPPORT:
www.nVent.com

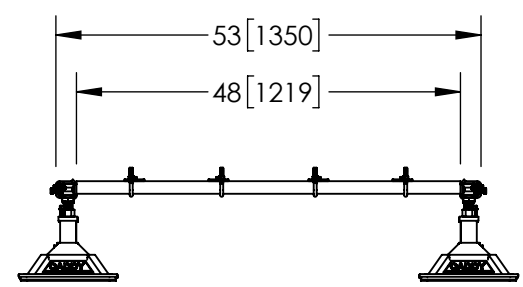
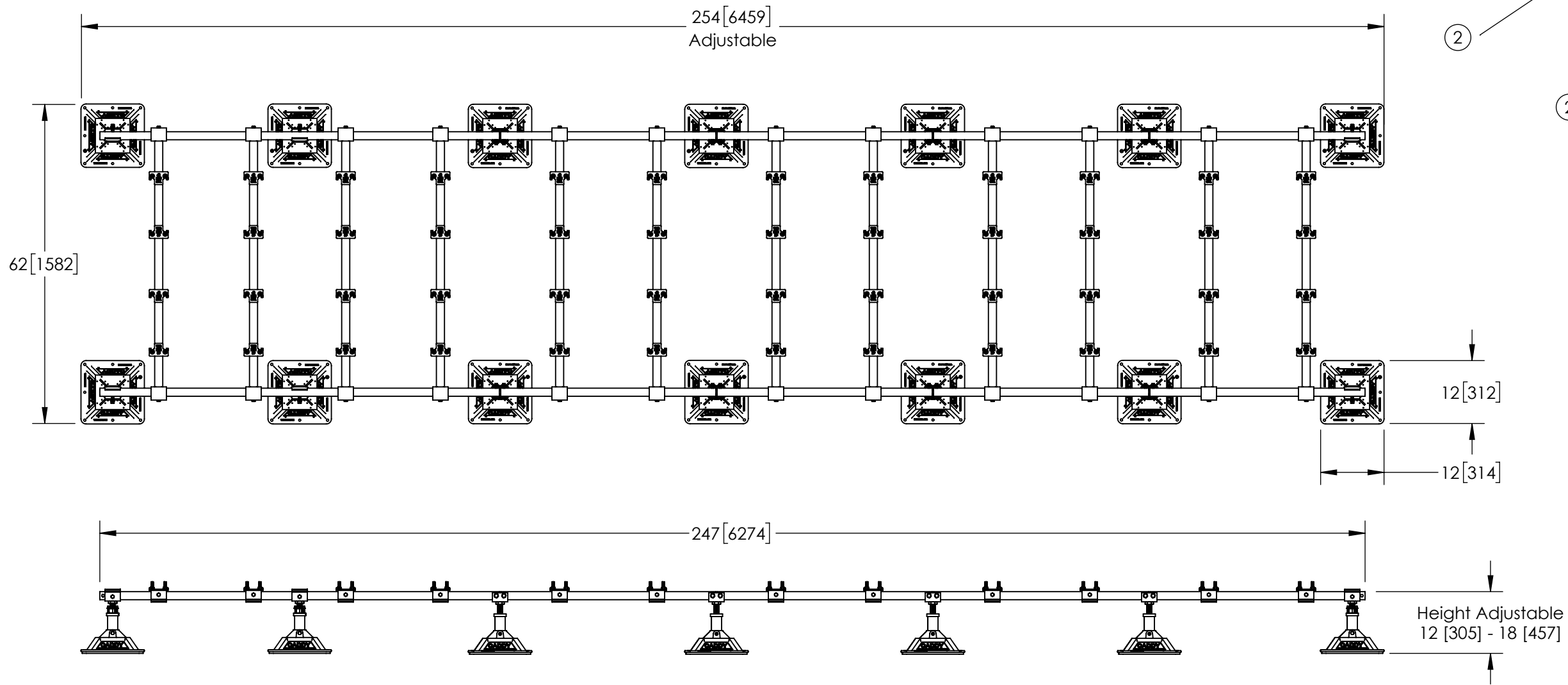
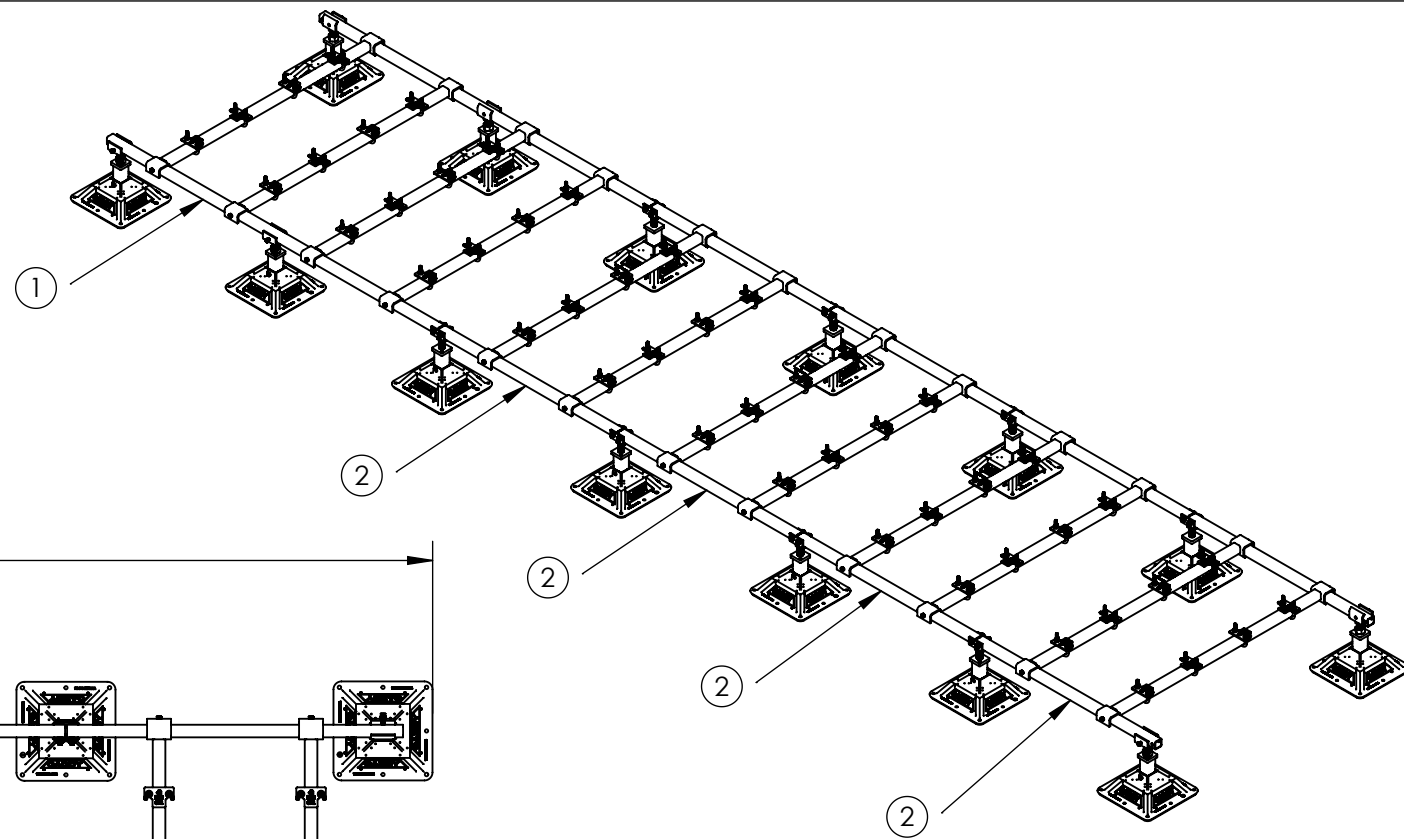
CRSPEK6B_PEKEF _ A

© 2020 nVent All Rights Reserved

REV	DESCRIPTION	ESN #	DATE	DRN	CHK	APP	QA	MFG
A	RELEASE TO MANUFACTURE	1014713	20OCT20	MNB	TAD	KMD	-	-

Tolerance (Inch) Unless Noted Angular Tolerance: ±1° Fractional Tolerance: ±1/32 Two Place Decimal: ±0.01 Three Place Decimal: ±0.005	 Title: CADDY PYRAMID Equipment Support Kit PEK6B PEKEF	Third Angle Projection 		
Tolerance [mm] Unless Noted Angular Tolerance: ±1° One Place Decimal: ±0.3 Two Place Decimal: ±0.13				
B Size	SHT 3 Of 7	Scale 1:24	DWG CRSPEK6B_PEKEF	REV A

Item	Part Number	Article Number	Description	Frame Dimensions in [mm]	Total Static Load lbf [N]	Quantity
①	PEK6B	360427	CADDY PYRAMID Equipment Support Kit	247 [6274] X 48 [1219]	6720 [29892]	1
②	PEKEF	360493	CADDY PYRAMID Frame Extension			4



Notes:

1. Static loads must be stable and spread evenly across frame.
2. The unit(s) to be supported must be secured to the frame.

A	RELEASE TO MANUFACTURE	1014713	20OCT20	MNB	TAD	KMD	-	-
REV	DESCRIPTION	ESN #	DATE	DRN	CHK	APP	QA	MFG
Tolerance (Inch) Unless Noted Angular Tolerance: ±1° Fractional Tolerance: ±1/32 Two Place Decimal: ±0.01 Three Place Decimal: ±0.005					Third Angle Projection 			
Tolerance [mm] Unless Noted Angular Tolerance: ±1° One Place Decimal: ±0.3 Two Place Decimal: ±0.13								
Title: CADDY PYRAMID Equipment Support Kit PEK6B PEKEF		Scale 1:24		DWG CRSPEK6B_PEKEF		REV A		
B	Size	SHT 4	Of 7					



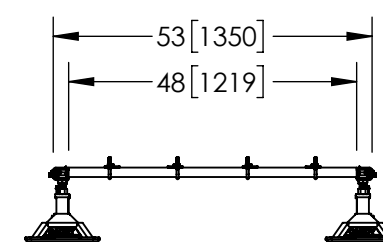
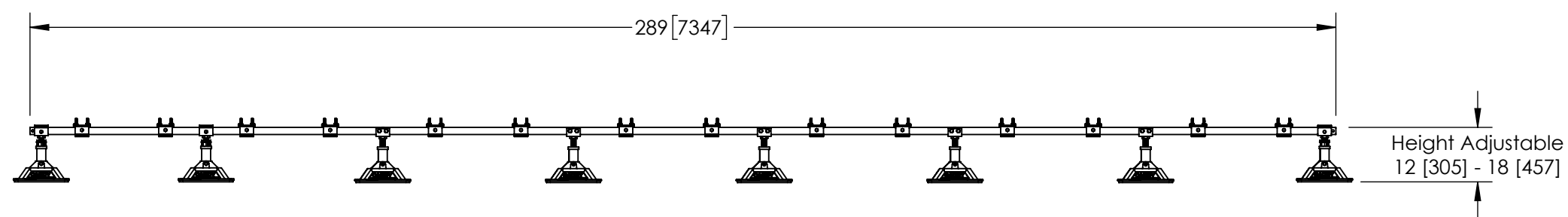
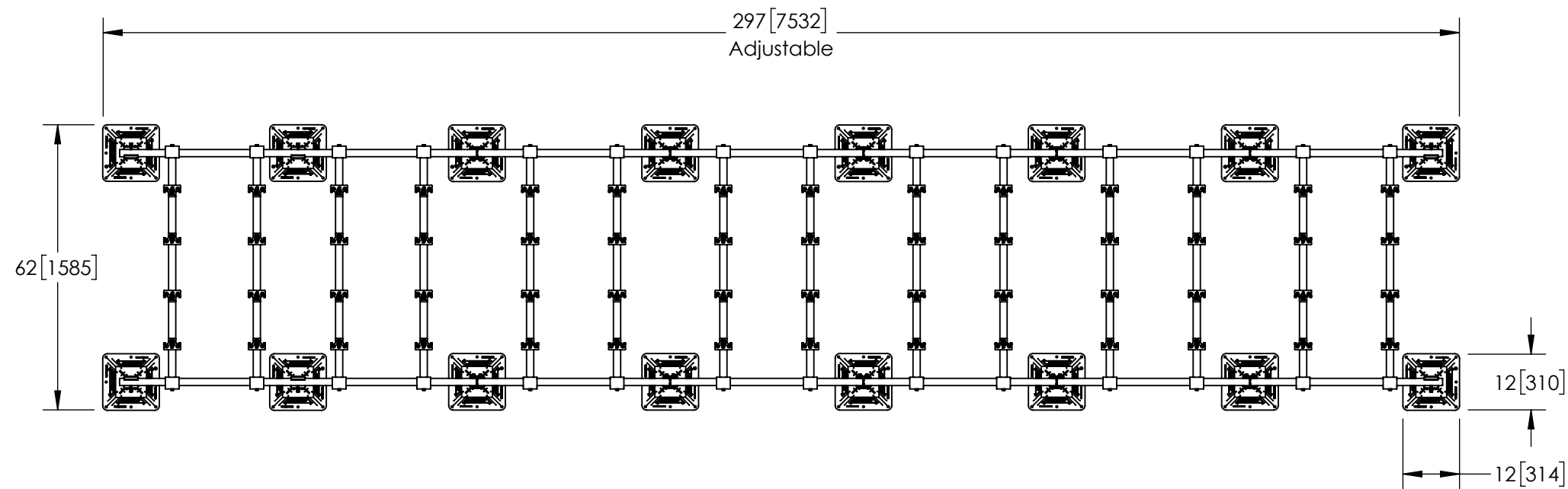
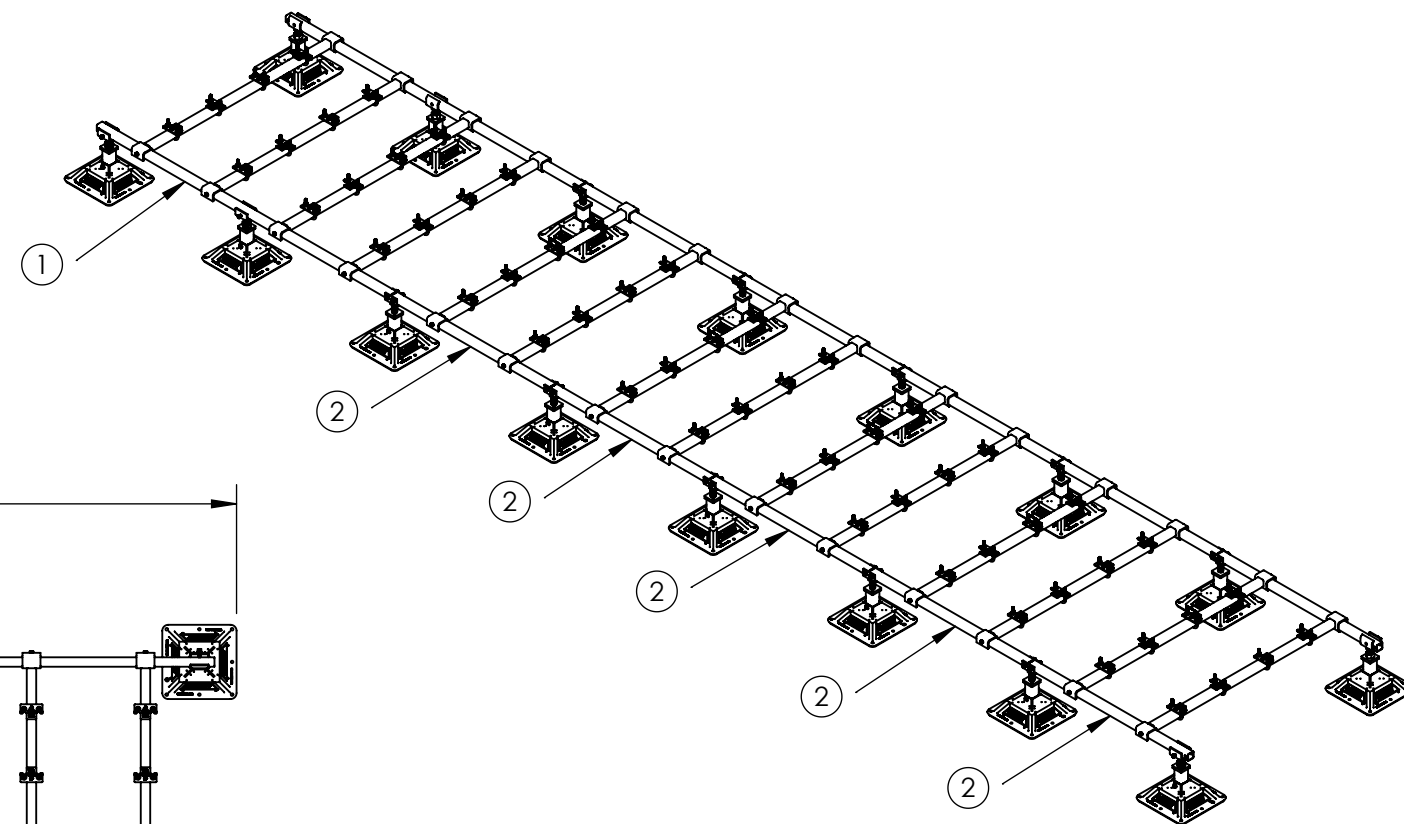
nVent, nVent CADDY, nVent ERICO Cadweld, nVent ERICO Critec, nVent ERICO, nVent ERIFLEX, and nVent LENTON are owned by nVent or its global affiliates. All other trademarks are the property of their respective owners. nVent reserves the right to change specifications without prior notice.

TECHNICAL SUPPORT: www.nVent.com

CRSPEK6B_PEKEF _ A

© 2020 nVent All Rights Reserved

Item	Part Number	Article Number	Description	Frame Dimensions in [mm]	Total Static Load lbf [N]	Quantity
①	PEK6B	360427	CADDY PYRAMID Equipment Support Kit	289 [7347] X 48 [1219]	7840 [34874]	1
②	PEKEF	360493	CADDY PYRAMID Frame Extension			5



Notes:

1. Static loads must be stable and spread evenly across frame.
2. The unit(s) to be supported must be secured to the frame.



nVent, nVent CADDY, nVent ERICO Cadweld, nVent ERICO Critec, nVent ERICO, nVent ERIFLEX, and nVent LENTON are owned by nVent or its global affiliates. All other trademarks are the property of their respective owners. nVent reserves the right to change specifications without prior notice.

TECHNICAL SUPPORT:
www.nVent.com

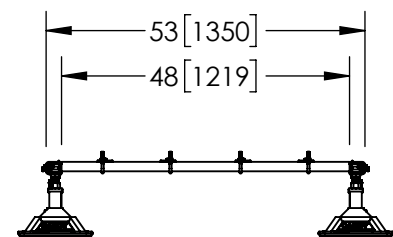
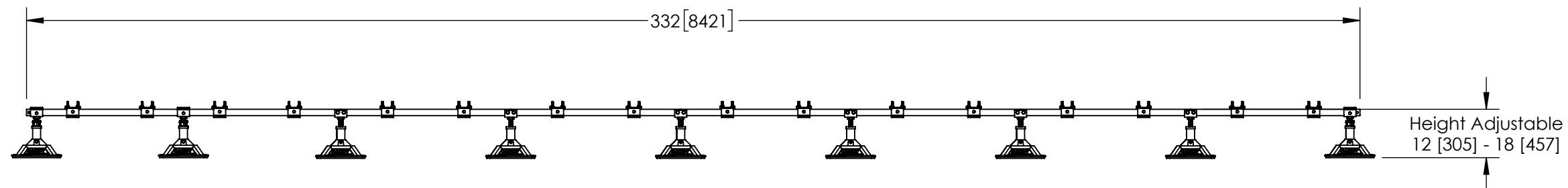
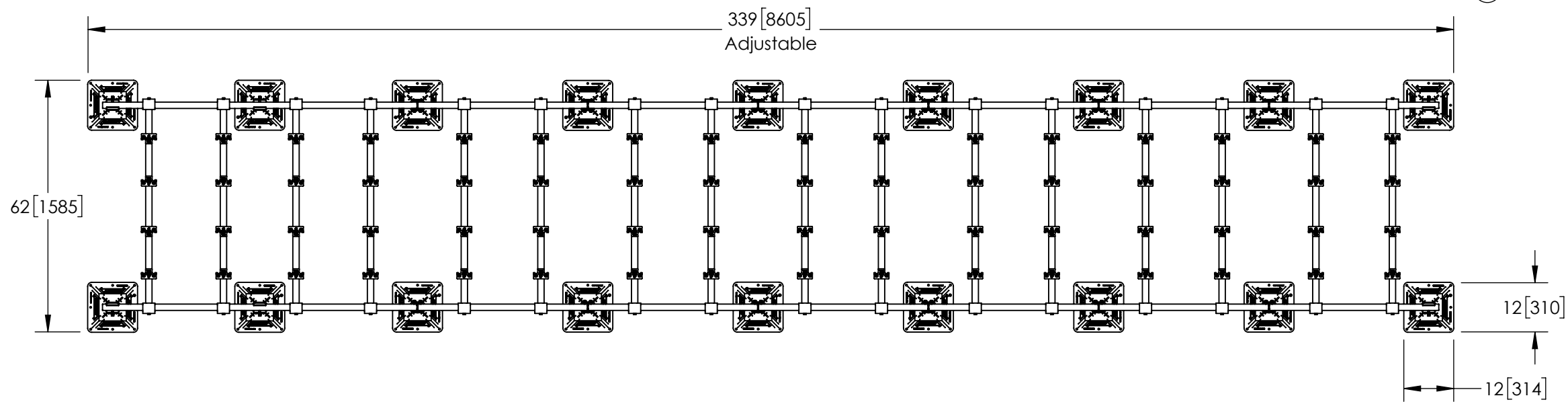
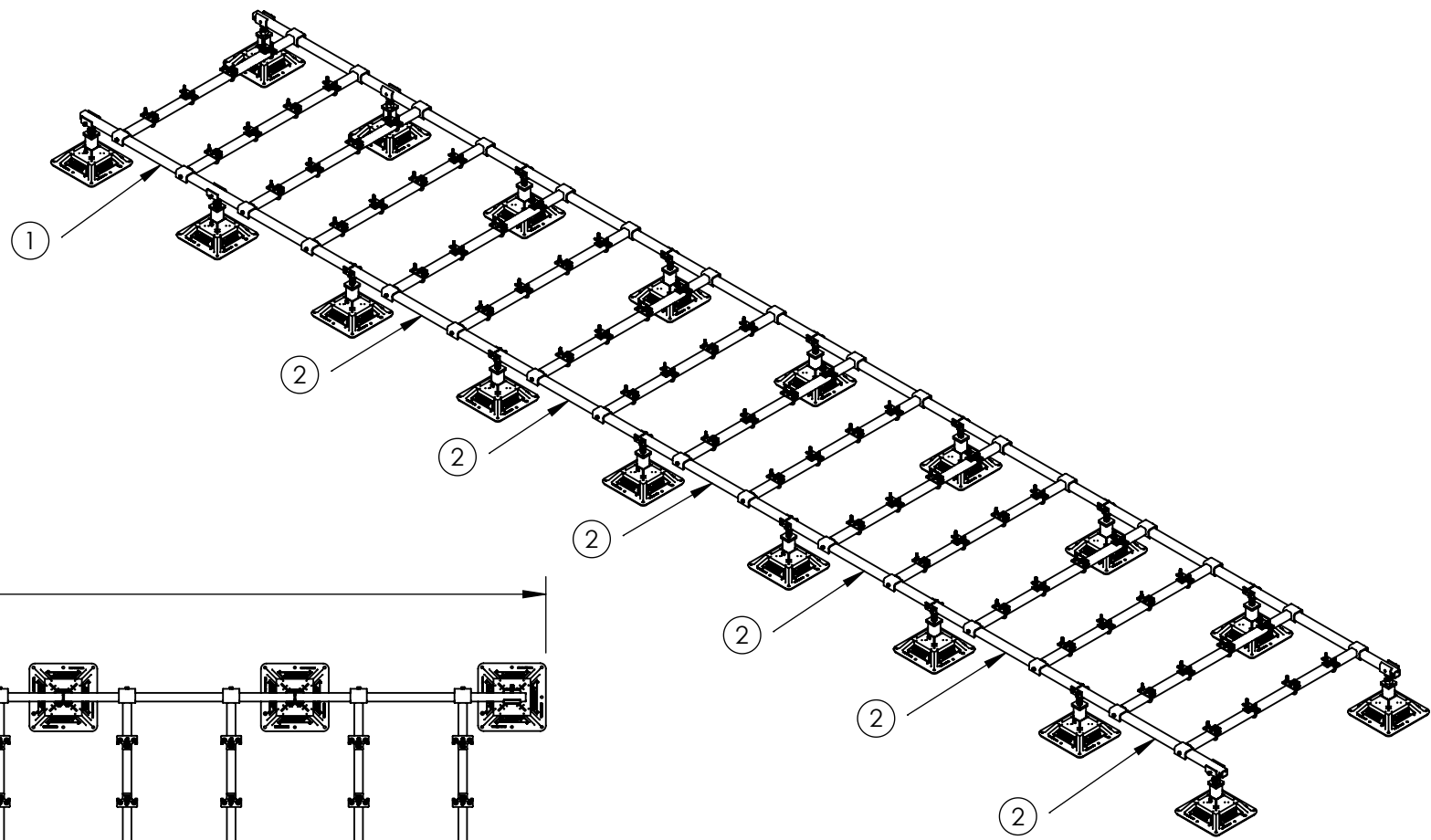
CRSPEK6B_PEKEF _ A

© 2020 nVent All Rights Reserved

REV	DESCRIPTION	ESN #	DATE	DRN	CHK	APP	QA	MFG
A	RELEASE TO MANUFACTURE	1014713	20OCT20	MNB	TAD	KMD	-	-

Tolerance (Inch) Unless Noted Angular Tolerance: $\pm 1^\circ$ Fractional Tolerance: $\pm 1/32$ Two Place Decimal: ± 0.01 Three Place Decimal: ± 0.005		Third Angle Projection
Tolerance [mm] Unless Noted Angular Tolerance: $\pm 1^\circ$ One Place Decimal: ± 0.3 Two Place Decimal: ± 0.13		
Title: CADDY PYRAMID Equipment Support Kit PEK6B PEKEF		
Scale: 1:32 B Size SHT 5 Of 7	DWG: CRSPEK6B_PEKEF	REV: A

Item	Part Number	Article Number	Description	Frame Dimensions in [mm]	Total Static Load lbf [N]	Quantity
①	PEK6B	360427	CADDY PYRAMID Equipment Support Kit	332 [8421] X 48 [1219]	8960 [39856]	1
②	PEKEF	360493	CADDY PYRAMID Frame Extension			6



Notes:

1. Static loads must be stable and spread evenly across frame.
2. The unit(s) to be supported must be secured to the frame.



nVent, nVent CADDY, nVent ERICO Cadweld, nVent ERICO Critec, nVent ERICO, nVent ERIFLEX, and nVent LENTON are owned by nVent or its global affiliates. All other trademarks are the property of their respective owners. nVent reserves the right to change specifications without prior notice.

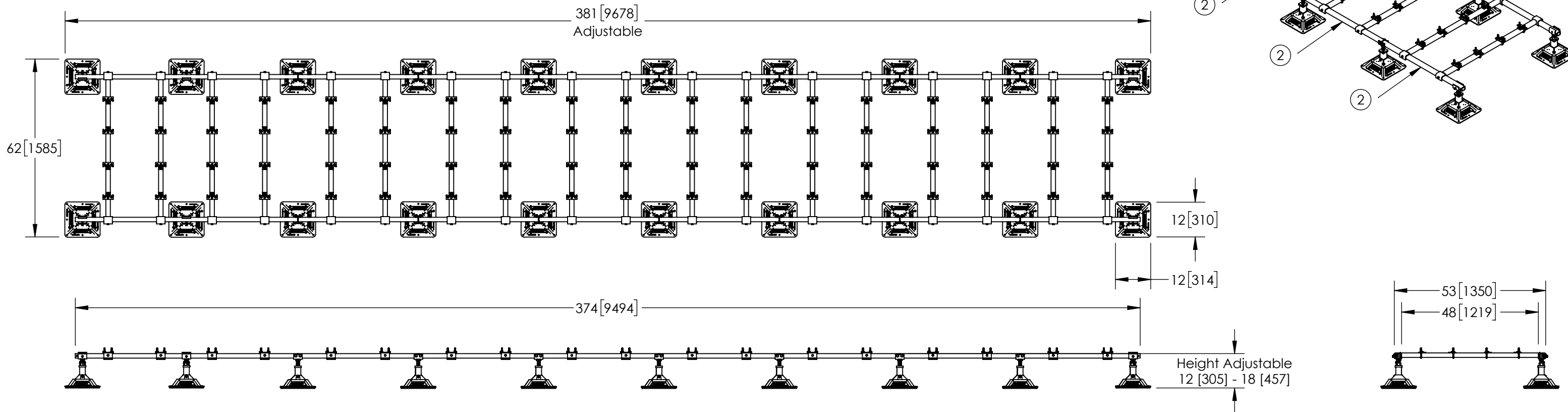
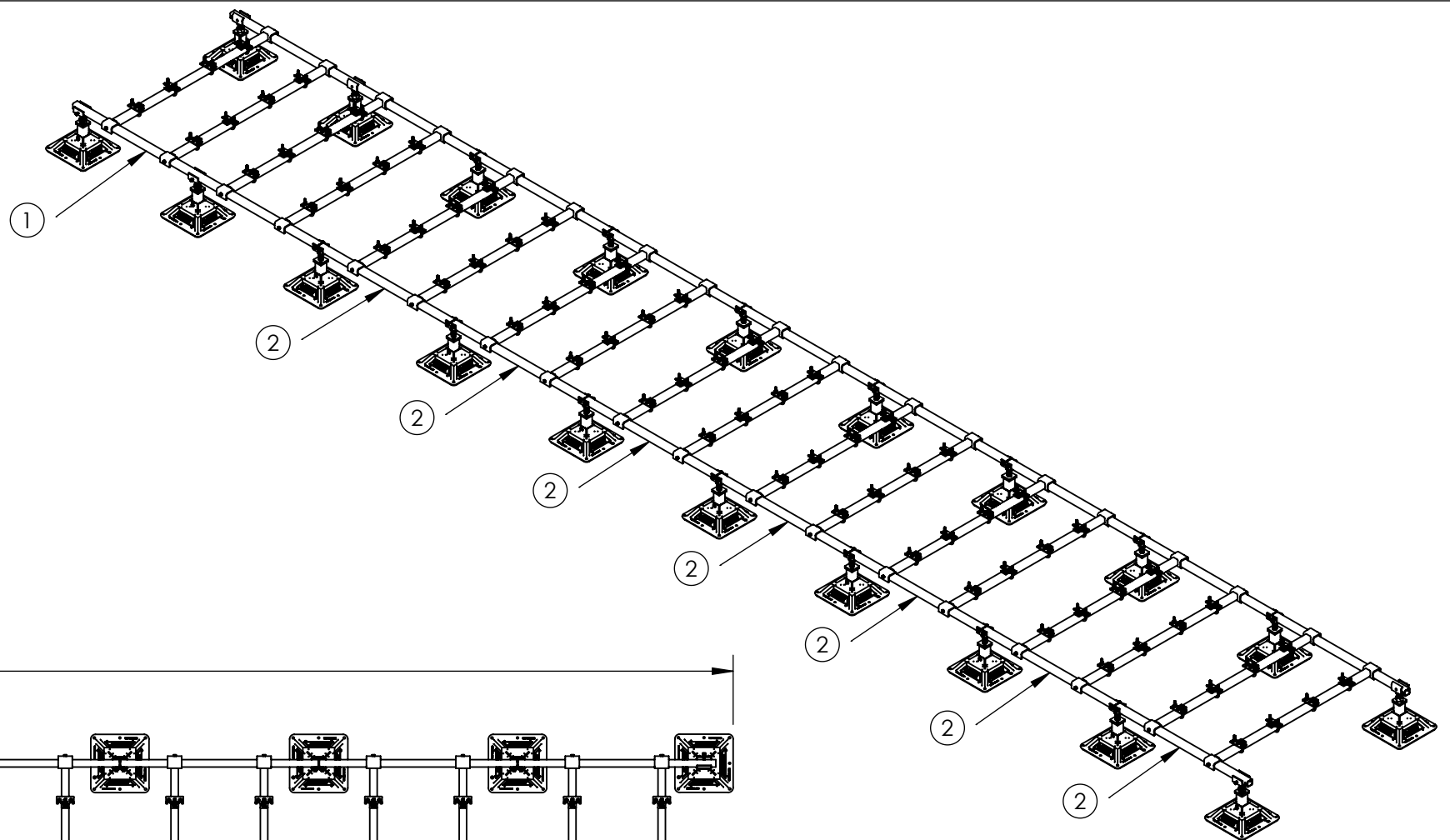
TECHNICAL SUPPORT:
www.nVent.com

CRSPEK6B_PEKEF _ A

© 2020 nVent All Rights Reserved

A	RELEASE TO MANUFACTURE	1014713	20OCT20	MNB	TAD	KMD	-	-
REV	DESCRIPTION	ESN #	DATE	DRN	CHK	APP	QA	MFG
Tolerance (Inch) Unless Noted						Third Angle Projection 		
Angular Tolerance:		±1°						
Fractional Tolerance:		±1/32						
Two Place Decimal:		±0.01						
Three Place Decimal:		±0.005		Title: CADDY PYRAMID Equipment Support Kit				
Tolerance [mm] Unless Noted				PEK6B				
Angular Tolerance:		±1°		PEKEF				
One Place Decimal:		±0.3		Scale		DWG		CRSPEK6B_PEKEF
Two Place Decimal:		±0.13		1:32		REV		
B	Size	SHT 6	Of 7	A				

Item	Part Number	Article Number	Description	Frame Dimensions in [mm]	Total Static Load lbf [N]	Quantity
①	PEK6B	360427	CADDY PYRAMID Equipment Support Kit	374 [9494] X 48 [1219]	10080 [44838]	1
②	PEKEF	360493	CADDY PYRAMID Frame Extension			7



Notes:

1. Static loads must be stable and spread evenly across frame.
2. The unit(s) to be supported must be secured to the frame.



nVent, nVent CADDY, nVent ERICO Cadweld, nVent ERICO Critec, nVent ERICO, nVent ERIFLEX, and nVent LENTON are owned by nVent or its global affiliates. All other trademarks are the property of their respective owners. nVent reserves the right to change specifications without prior notice.

TECHNICAL SUPPORT: www.nVent.com

CRSPEK6B_PEKEF _ A

© 2020 nVent All Rights Reserved

A	RELEASE TO MANUFACTURE	1014713	20OCT20	MNB	TAD	KMD	-	-
REV	DESCRIPTION	ESN #	DATE	DRN	CHK	APP	QA	MFG
Tolerance (Inch) Unless Noted Angular Tolerance: $\pm 1^\circ$ Fractional Tolerance: $\pm 1/32$ Two Place Decimal: ± 0.01 Three Place Decimal: ± 0.005					Third Angle Projection 			
Tolerance [mm] Unless Noted Angular Tolerance: $\pm 1^\circ$ One Place Decimal: ± 0.3 Two Place Decimal: ± 0.13								
Title: CADDY PYRAMID Equipment Support Kit PEK6B PEKEF		Scale 1:34		DWG CRSPEK6B_PEKEF			REV A	
B	Size	SHT 7	Of 7					