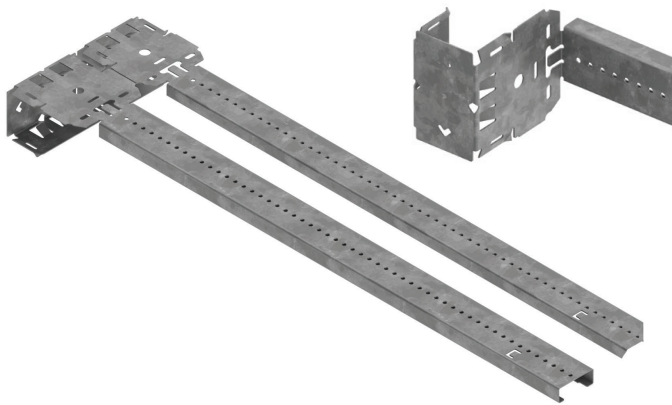


SNAP-TO-STUD TELESCOPING SCREW GUN BRACKET



FEATURES

- Snap to stud function makes installation fast and easy, saving time and increasing productivity
- Pre-configured for 2-1/8" deep boxes and only a simple adjustment needed for 1-1/2" deep boxes
- Self-leveling feature ensures the bracket is always square to the stud, for a consistent and professional installation
- Can mount multiple boxes
- Requires only two screws to install



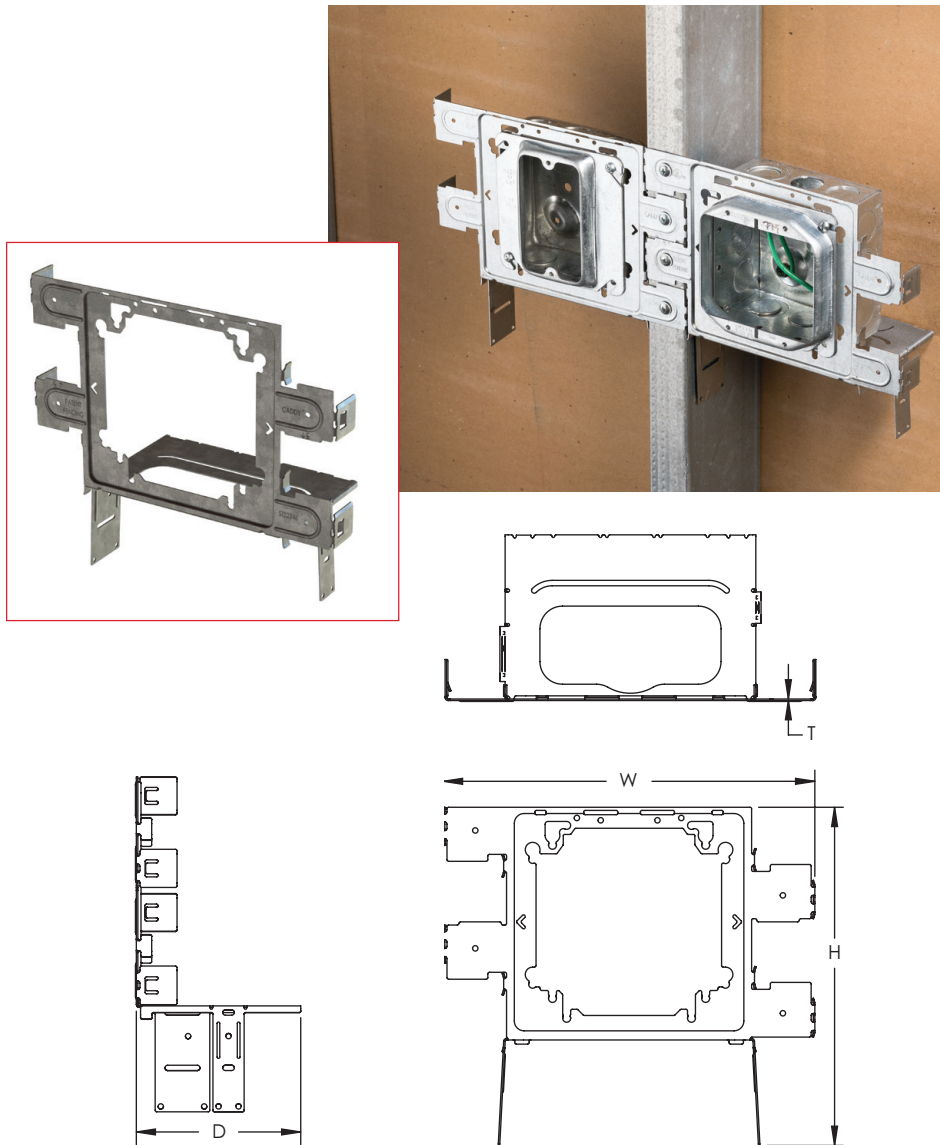
Material: Steel
Finish: Pregalvanized



Part Number	Stud Spacing	Box Depth	Standard Packaging Quantity
TSGB1624S	15 3/4" - 25"	1 1/2"; 2 1/8"	50

UL, UR, cUL, cUR, cULus and cURus are registered certification marks of UL LLC.

SNAP-TO-STUD ELECTRICAL BOX BRACKET



FEATURES

- Snap to stud function makes installation fast and easy, saving time and increasing productivity
- Self-leveling feature ensures the electrical box is always square to the stud, for a consistent and professional installation
- Mounts to either side of the stud and can be mounted side by side on the same stud
- Accommodates all stud depths, simplifying purchasing and pre-fab operations
- Works with standard or adjustable single and double gang mud rings
- Rigid design delivers consistency and quality during the trim out phase, helping reduce call backs and costly repairs
- Unique fold-out tabs provide positive support on open face of deep studs, eliminating the need for "field-fabricated" solutions



Part Number	Stud Wall Depth	Box Size	Depth D	Height H	Width W	Thickness T
STS2346	2 1/2", 3 5/8", 4", 6"	4", 4 11/16"	3 5/8"	7.45"	8 1/4"	0.032"

UL, UR, cUL, cUR, cULus and cURus are registered certification marks of UL LLC.



Our powerful portfolio of brands:

CADDY ERICO HOFFMAN RAYCHEM SCHROFF TRACER

WARNING:

nVent products shall be installed and used only as indicated in nVent's product instruction sheets and training materials. Instruction sheets are available at nVent.com/ERICO and from your nVent customer service representative. Improper installation, misuse, misapplication or other failure to completely follow nVent's instructions and warnings may cause product malfunction, property damage, serious bodily injury and death and/or void your warranty.

©2018 nVent. All nVent marks and logos are owned or licensed by nVent Services GmbH or its affiliates. All other trademarks are the property of their respective owners. nVent reserves the right to change specifications without notice.

Caddy-DS-F1282S-F326LT17NAEN-EN-1805