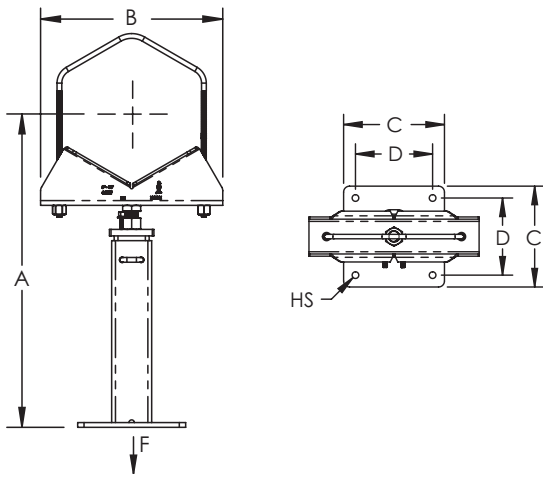
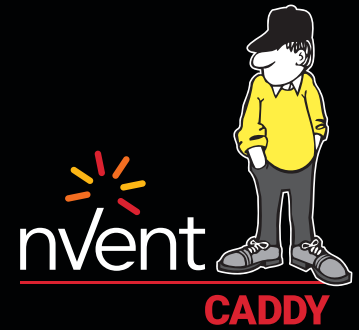


Telescoping Pipe Stand



FEATURES

- Supports and fastens low to the ground horizontal pipe runs
- Complete out-of-the-box assembly provides a compact solution, simplifying material handling and reducing the amount of storage space required
- Designed to minimize fabrication and reduce the installation time of a complete stand by up to 80%
- Telescoping post provides fast vertical height adjustment
- V-bolt fastener accommodates multiple pipe sizes, reducing inventory by over 65%
- Easy "push-to-install" nVent CADDY Rod Lock feature allows the V-bolt to assemble quickly
- Integrated weep hole at bottom of stand provides drainage for condensation
- Includes four holes for anchoring base to floor
- Conforms with Federal Specification WW-H-171 (Type 37, 38), Manufacturers Standardization Society ANSI®/MSS-SP-58 (Type 37)

Material: Steel
 Finish: Electrogalvanized
 Static Load Safety Factor: 3.5:1

Part Number	Pipe Size	A	B	C	D	Hole Size HS	Static Load F
CTS04	1" – 8"	20" – 40 1/2"	6 1/2"	6 1/2"	5"	9/16"	1,370 lb
CTS10	5" – 24"	23" – 49 7/8"	14 3/8"	8 1/2"	6 1/2"	9/16"	1,740 lb

Part Number	Pipe Size	A
CTS04	1"	20" - 36 1/4"
	1 1/4"	20 1/4" - 36 1/2"
	1 1/2"	20 3/8" - 36 5/8"
	2"	20 5/8" - 36 7/8"
	3"	21 1/4" - 37 1/2"
	4"	21 7/8" - 38 1/8"
	5"	22 1/2" - 38 3/4"
	6"	23 1/8" - 39 1/4"
	8"	24 1/4" - 40 1/2"
CTS10	5"	23" - 39 1/4"
	6"	23 1/2" - 40"
	8"	24 3/4" - 41"
	10"	26" - 42 1/4"
	12"	27 1/4" - 43 3/8"
	14"	27 7/8" - 44 1/8"
	16"	29 1/8" - 45 1/4"
	18"	30 1/4" - 46 3/8"
	20"	31 3/8" - 47 1/2"
24"	33 5/8" - 49 7/8"	

When insulating pipe install V-bolt after insulation.

CTS04 can accommodate pipe sizes from 1" through 4" when v-bolt is used. CTS10 can accommodate pipe sizes from 5" through 8" when v-bolt is used.

Installer must determine weight of the pipe and proper spacing when supporting larger sizes.



Our powerful portfolio of brands:

CADDY ERICO HOFFMAN RAYCHEM SCHROFF TRACER