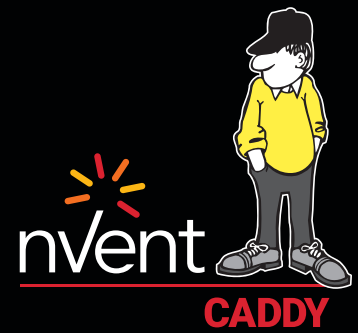


BCSP Box/Conduit Securement Platform and Accessories



CONNECT AND PROTECT



The nVent CADDY Box/Conduit Securement Platform (BCSP) is a fast and secure method to install a wide range of junction and electrical boxes/conduit in overhead installations with a single threaded rod drop. Our improved product is ideal for open ceiling environments with limited access to the structure (high ceilings).

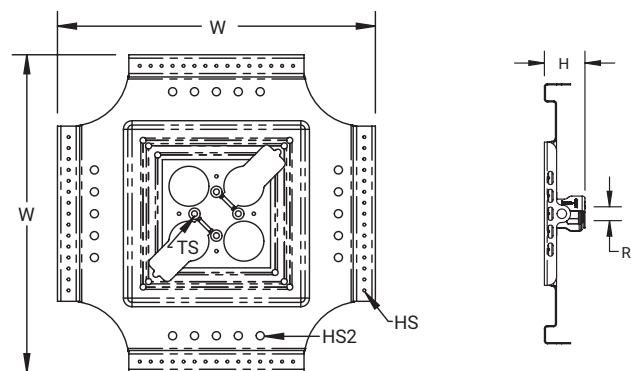
The nVent CADDY BCSP is designed to simplify electrical box and conduit installation compared to traditional methods that include multiple connection points and supports, eliminating the need for additional hardware while offering easy, tool-free installation. Our solution provides flexibility on the job by accommodating various sizes and allowing for simple, repeated installation thanks to its self-alignment features.

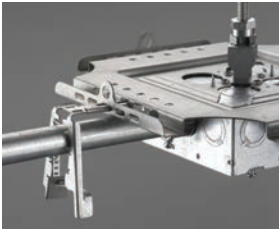
Features

- Accommodates a wide range of electrical boxes
- Contains embedded rivet nut – no penetrating the electrical box
- Includes electrical box alignment pockets
- Tool-free conduit securement options
- Up to 50% installation time savings over traditional methods
- Supports electrical boxes in 16" stud spacing (BCSP612)

Material: Steel
Finish: Pregalvanized

Part Number	Box Size	Rod Size RS	Height H	Width W	Thread Size TS	Hole Size 1 HS1	Hole Size 2 HS2
BCSP45	4", 4 11/16", 5"	3/8"	1 3/4"	10 7/8"	1/4" UNC	0.1"	0.3"
BCSP45RS25	4", 4 11/16", 5"	1/4"	1 3/4"	10 7/8"	1/4" UNC	0.1"	0.3"
BCSP612	6", 8", 10", 12"	3/8"	2 3/8"	18"	1/4" UNC	0.1"	0.3"

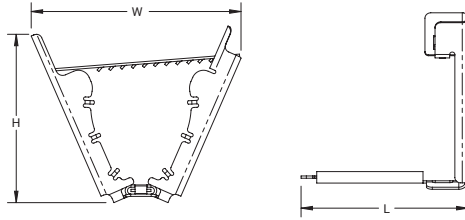




BCSP ACCESSORIES

The nVent CADDY BCSP system includes a variety of tool-free clamps that easily snap in to secure MC/AC cable or conduit and provide a first means of support. The system is designed to eliminate loose hardware and allow installers to build supported box/conduit assemblies on the bench to reduce overhead work for a safer, less strenuous installation.

BCSP SNAP CLOSE MC/AC CLAMP



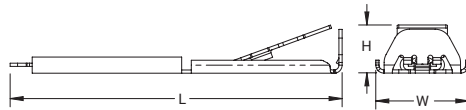
Material: Steel
Finish: Pregalvanized

Features

- Provides tool-free first means of securement for MC/AC when used with box/conduit securement platform

Part Number	Height H	Length L	Width W
BCSPC1	2 7/8"	2 7/8"	3 9/16"

BCSP UNIVERSAL CLIP



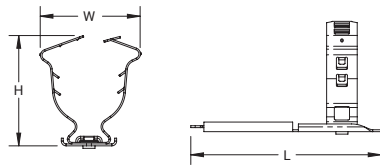
Material: Steel
Finish: Pregalvanized

Features

- Tool-free attachment to box/conduit securement platform that provides easy "snap-in" field assembly of conduit clips
- Eliminates need for offset bending conduit

Part Number	Height H	Length L	Width W
BCSPC2	9/16"	4"	1 1/8"

BCSP SNAP CLOSE CONDUIT CLAMP



Material: Steel
Finish: Pregalvanized

Features

- Provides tool-free first means of securement for conduit when used with box/conduit securement platform
- Eliminates need for offset bending conduit

Part Number	EMT Conduit Size	Rigid Conduit Size	Height H	Length L	Width W
BCSPC16M	3/4", 1"	3/4", 1"	2 1/4"	3 7/8"	2 1/16"



Our powerful portfolio of brands:

CADDY ERICO HOFFMAN RAYCHEM SCHROFF TRACER