

TDXSM

Side Mounting Bracket Instructions

PREPARATION



DANGER: *Electrical shock or burn hazard. Installation of Surge Protection Devices, SPD, should be made by qualified personnel. Failure to lockout electrical power during installation or maintenance can result in fatal electrocution or severe burns.*

These installation instructions apply for the installation of the TDX range of Surge Protectors onto the side of a Load Center using the TDX Side Mounting Brackets. These instructions are to be used in conjunction with the installation instructions for the TDX product.

It is recommended that this installation use a 90° pulling elbow. As dimensions of various manufacturers pulling elbows vary, check fit before installing.

NOTE:

Separate Side Mounting Kits are available for the TDX range of products. Please ensure that this kit is the correct model for the application intended.

Each Kit Contains:

- (a) 2 x Mounting Brackets
- (b) Instructions

Quick Installation

1. Disconnect and lockout electrical power to the electrical panel (load center / panelboard / circuit breaker box) where the TDX is to be installed. Follow all applicable electrical codes and procedures.
2. Loosen side screws in both TDX end plates as shown in Figure 1. Screws should be loosened on the side to be fixed to load center only. Install TDX Side Mounting Brackets and retighten TDX screws. There is no need to remove the screws.
3. Attach 90° Pulling Elbow (not included in this kit) to the TDX unit.
4. Ensure panel is isolated and pre-drill holes for conduit elbow and mounting screws. Align TDX unit and fasten to Load Center with appropriate fasteners.
5. Complete electrical SPD connection as per SPD instructions.

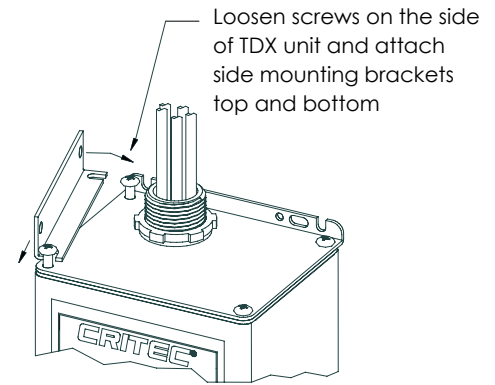


Figure 1

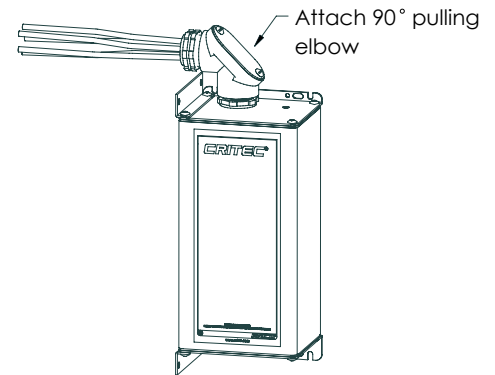


Figure 2 Not to scale

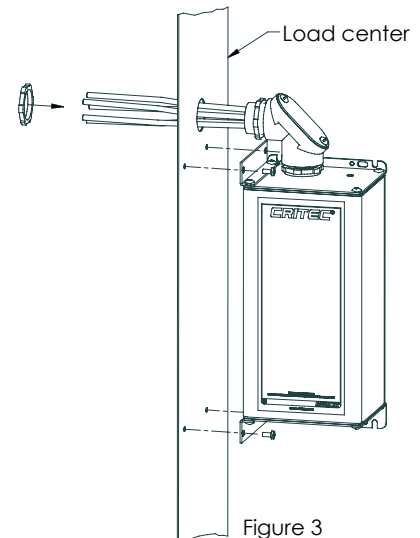


Figure 3

WARNING:

1. nVent products shall be installed and used only as indicated in nVent product instruction sheets and training materials. Instruction sheets are available at www.nVent.com and from your nVent customer service representative.
2. nVent products must never be used for a purpose other than the purpose for which they were designed or in a manner that exceeds specified load ratings.
3. All instructions must be completely followed to ensure proper and safe installation and performance.
4. Improper installation, misuse, misapplication or other failure to completely follow nVent's instructions and warnings may cause product malfunction, property damage, serious bodily injury and/or death, and void your warranty.

SAFETY INSTRUCTIONS:

All governing codes and regulations and those required by the job site must be observed. Always use appropriate safety equipment such as eye protection, hard hat, and gloves as appropriate to the application.

nVent, nVent CADDY, nVent ERICO Cadweld, nVent ERICO Critec, nVent ERICO, nVent ERIFLEX, and nVent LENTON are owned by nVent or its global affiliates. All other trademarks are the property of their respective owners. nVent reserves the right to change specifications without prior notice.