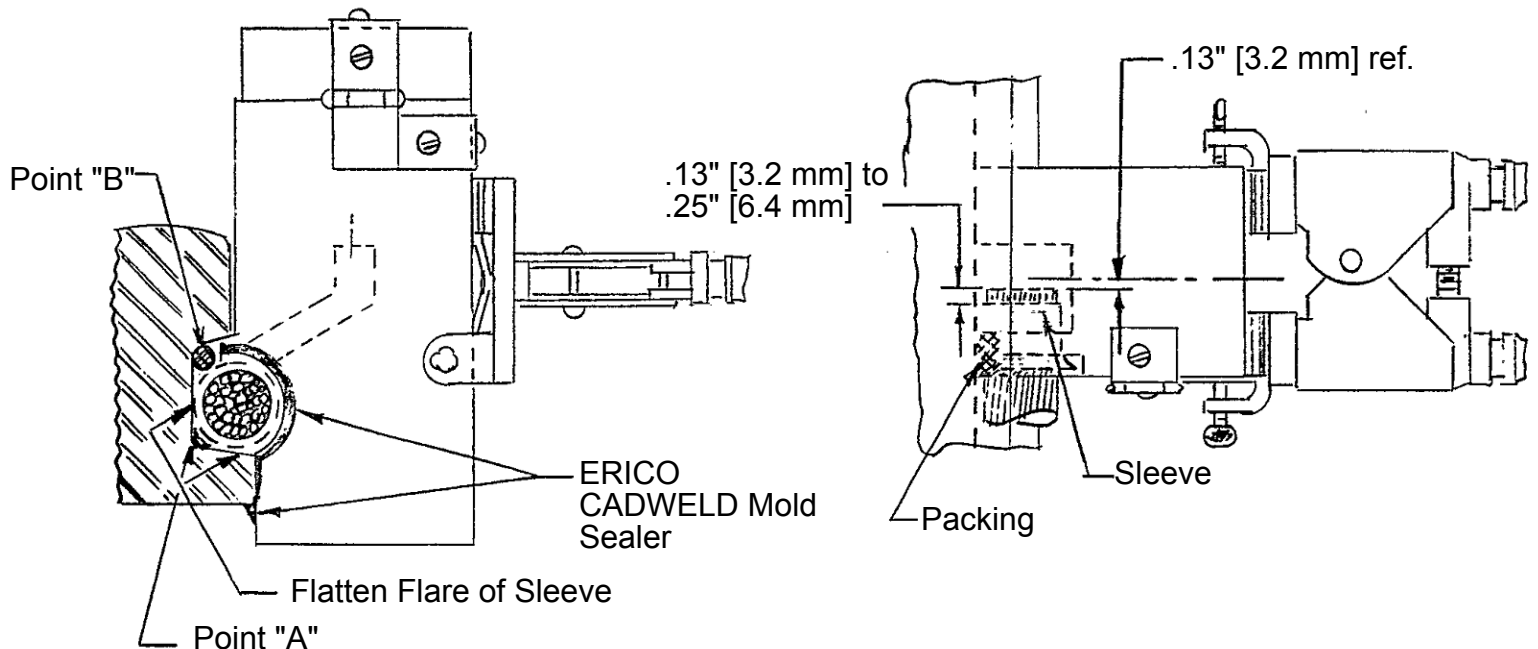


# Type RX Connection



Prior to making a connection, read and follow the full instruction sheet IPRF, the full instruction sheet shipped with ERICO®CADWELD® (IPX), and special instructions below.

1. Insert sleeve on cable, letting cable end protrude .13" [3.2 mm] to .25" [6.4 mm] beyond end of sleeve.
2. Flatten sleeve flare at two places as noted in sketch to allow sleeve body to lay against rail.
3. Place a small amount of ERICO CADWELD mold sealer at Point "A" on sketch between sleeve and rail and at flared end of sleeve.
4. Place sleeved cable end against rail and position locked mold on cable with flare of sleeve against mold. Cable end should be approx. .13" [3.2 mm] back from center of mold as noted in top sketch.
5. Loosely clamp mold to rail using "C" clamp.
6. Roll packing and position into opening between mold, sleeve and rail (Point "B")
7. Tighten "C" clamp.
8. Pack all openings around sleeve and at bottom of rail at mold with ERICO CADWELD mold sealer.

**WARNING:**

1. ERICO products shall be installed and used only as indicated in ERICO product instruction sheets and training materials. Instruction sheets are available at [www.erico.com](http://www.erico.com) and from your ERICO customer service representative.
2. ERICO products must never be used for a purpose other than the purpose for which they were designed or in a manner that exceeds specified load ratings.
3. All instructions must be completely followed to ensure proper and safe installation and performance.
4. Improper installation, misuse, misapplication or other failure to completely follow ERICO's instructions and warnings may cause product malfunction, property damage, serious bodily injury and death.

**SAFETY INSTRUCTIONS:**

All governing codes and regulations and those required by the job site must be observed. Always use appropriate safety equipment such as eye protection, hard hat, and gloves as appropriate to the application.

CADDY, CADWELD, CRITEC, ERICO, ERIFLEX, ERITECH, and LENTON are registered trademarks of ERICO International Corporation.