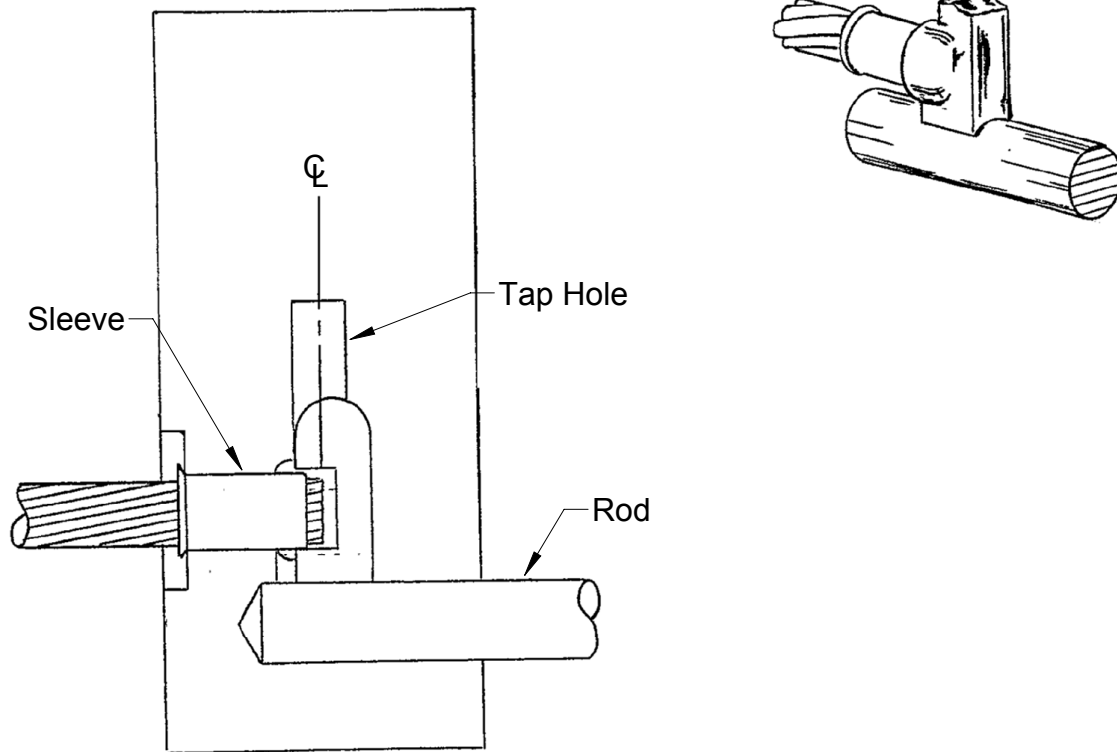


Cable to Ground Wire



Prior to making a connection, read and follow the full instruction sheets IPP, IPX, IPRNS (included only with molds used on rail property not to rail) and the special instructions below.

1. Position sleeve on conductor with conductor protruding .13" [3mm] beyond sleeve.
2. Position end of conductor on centerline of tap hole (As shown above).
3. Position rod in hole until it stops against bottom of hole.

WARNING:

1. ERICO products shall be installed and used only as indicated in ERICO product instruction sheets and training materials. Instruction sheets are available at www.erico.com and from your ERICO customer service representative.
2. ERICO products must never be used for a purpose other than the purpose for which they were designed or in a manner that exceeds specified load ratings.
3. All instructions must be completely followed to ensure proper and safe installation and performance.
4. Improper installation, misuse, misapplication or other failure to completely follow ERICO's instructions and warnings may cause product malfunction, property damage, serious bodily injury and death.

SAFETY INSTRUCTIONS:

All governing codes and regulations and those required by the job site must be observed. Always use appropriate safety equipment such as eye protection, hard hat, and gloves as appropriate to the application.

CADDY, CADWELD, CRITEC, ERICO, ERIFLEX, ERITECH, and LENTON are registered trademarks of ERICO International Corporation.