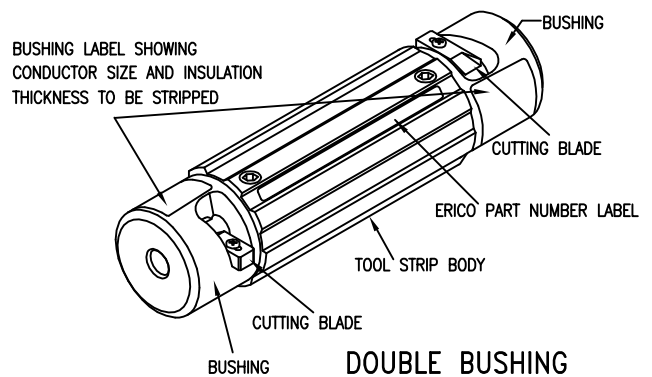
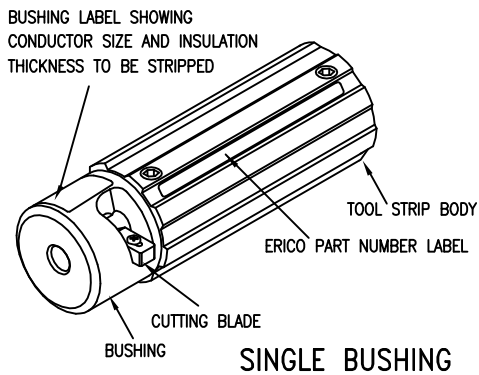
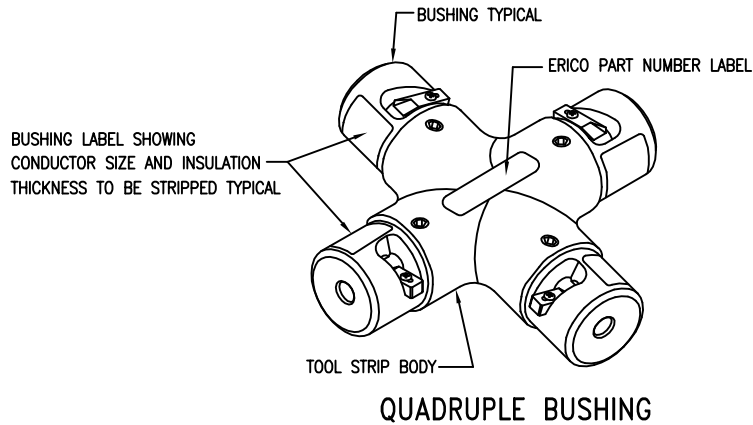


# CABLE STRIPPING TOOL



PRIOR TO USING THE TOOL, READ AND FOLLOW INSTRUCTIONS ON THIS SHEET AND SPECIAL INSTRUCTIONS BELOW.

1. SELECT CORRECT BUSHING WITH MATCHING CONDUCTOR SIZE AND INSULATION THICKNESS. REFER TO DESCRIPTION PRINTED ON THE BUSHING LABEL.
2. INSERT WIRE INTO THE PROPERLY SELECTED STRIPPING TOOL BUSHING.
3. WITH ONE HAND GRIP THE WIRE PLACING THUMB AT DESIRED STRIPPING LENGTH.
4. WITH THE OTHER HAND ROTATE THE STRIPPING TOOL AROUND THE WIRE CLOCKWISE. USING SLIGHT FORWARD PRESSURE CONTINUE TO ROTATE THE TOOL UNTIL IT REACHES YOUR THUMB THEN ROTATE THE TOOL ONE OR TWO ROTATIONS AGAINST YOUR THUMB. THIS WILL END CUTTING OF THE INSULATION AT THE DESIRED LENGTH.

NOTE: – DO NOT REVERSE THE TURNING DIRECTION ONCE STARTED  
– REPLACEMENT BLADE PN SBRTCB6667

#### WARNING

1. ERICO products shall be installed and used only as indicated in ERICO product instruction sheets and training materials. Instruction sheets are available at [www.erico.com](http://www.erico.com) and from your ERICO customer service representative.
2. ERICO products must never be used for a purpose other than the purpose for which they were designed or in a manner that exceeds specified load ratings.
3. All instructions must be completely followed to ensure proper and safe installation and performance.
4. Improper installation, misuse, misapplication or other failure to completely follow ERICO's instructions and warnings may cause product malfunction, property damage, serious bodily injury and death.

The customer is responsible for:

- a. Conformance to all governing codes.
- b. The integrity of structures to which the products are attached, including their capability of safely accepting the loads imposed, as evaluated by a qualified engineer.
- c. Using appropriate industry standard hardware as noted above.

SAFETY INSTRUCTIONS: All governing codes and regulations and those required by the job site must be observed. Always use appropriate safety equipment such as eye protection, hard hat, and gloves as appropriate to the application.

CADDY, CADWELD, CRITEC, ERICO, ERIFLEX, ERITECH and LENTON are registered trademarks of ERICO International Corporation.

TECHNICAL SUPPORT:  
[www.erico.com](http://www.erico.com)

IP8018\_B

1 of 1

©2008 ERICO International Corporation

**ERICO**<sup>®</sup>