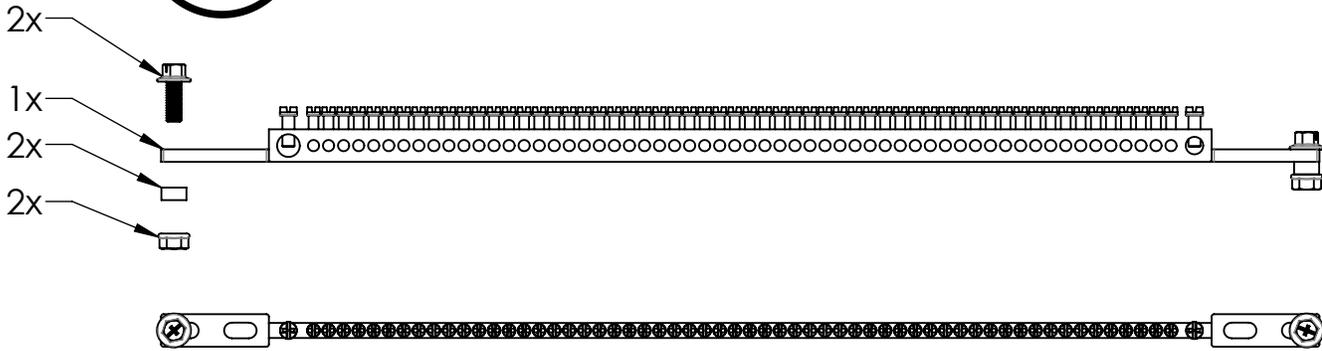


EB60  
568661



IEC®					
#	Conductor	Size	∅	⤵	Strip Length
1		16 - 35mm <sup>2</sup>	0.36in [9.1mm]	17 in-lbs [2 N.m]	0.50in [12.7mm]
		10 - 35mm <sup>2</sup>			
1		4 - 16mm <sup>2</sup>	0.28in [7.0mm]	17 in-lbs [2 N.m]	
		2.5 - 16mm <sup>2</sup>			
58		1.5 - 4mm <sup>2</sup>	0.18in [4.5mm]	13 in-lbs [1.5 N.m]	
		0.75 - 4mm <sup>2</sup>			
UL®					
#	Conductor	Size	∅	⤵	Strip Length
1		6 AWG	0.36in [9.1mm]	17 in-lbs [2 N.m]	0.50in [12.7mm]
1		12 - 6 AWG	0.28in [7.0mm]	17 in-lbs [2 N.m]	
58		16 - 10 AWG	0.18in [4.5mm]	13 in-lbs [1.5 N.m]	
		16 - 10 AWG			

NOTE: All load ratings are for static conditions and do not account for dynamic loading such as wind, water or seismic loads, unless otherwise noted.

The customer is responsible for:

- Conformance to all governing codes.
- The integrity of structures to which the products are attached, including their capability of safely accepting the loads imposed, as evaluated by a qualified engineer.
- Using appropriate industry standard hardware as noted above.

WARNING:

- nVent products shall be installed and used only as indicated in nVent product instruction sheets and training materials. Instruction sheets are available at [www.nVent.com](http://www.nVent.com) and from your nVent customer service representative.
- nVent products must never be used for a purpose other than the purpose for which they were designed or in a manner that exceeds specified load ratings.
- All instructions must be **completely** followed to ensure proper and safe installation and performance.
- Improper installation, misuse, misapplication or other failure to completely follow nVent's instructions and warnings may cause product malfunction, property damage, serious bodily injury and/or death, and void your warranty.

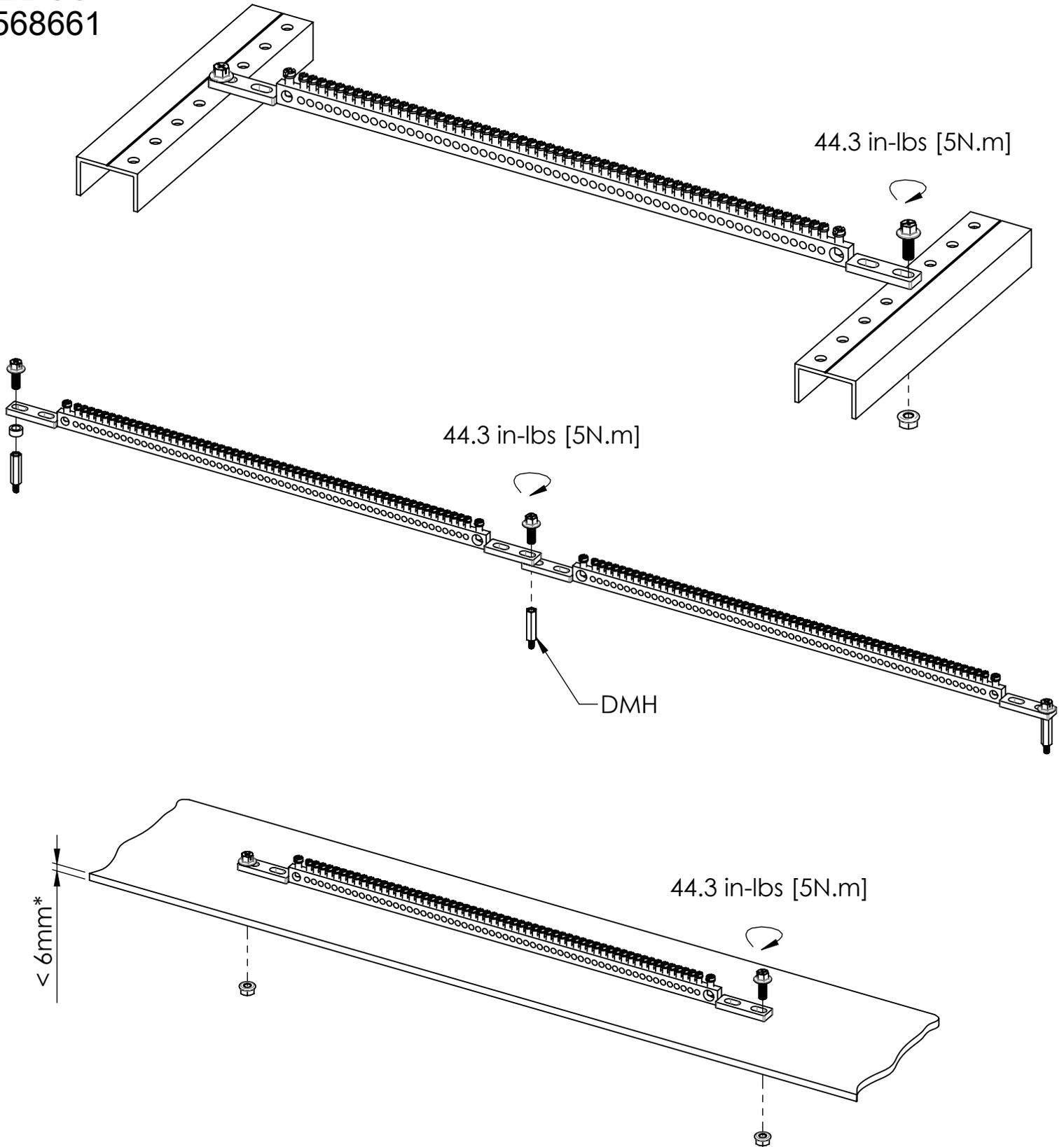
SAFETY INSTRUCTIONS:

All governing codes and regulations and those required by the job site must be observed. Always use appropriate safety equipment such as eye protection, hard hat, and gloves as appropriate to the application.

nVent, CADDY, ERICO CADWELD, ERICO CRITEC, ERICO, ERIFLEX, and LENTON are owned by nVent or its global affiliates. All other trademarks are the property of their respective owners. nVent reserves the right to change specifications without prior notice.

# EB60

568661



\*Not for continuous current in power circuits

nVent, CADDY, ERICO CADWELD, ERICO CRITEC, ERICO, ERIFLEX, and LENTON are owned by nVent or its global affiliates. All other trademarks are the property of their respective owners. nVent reserves the right to change specifications without prior notice.