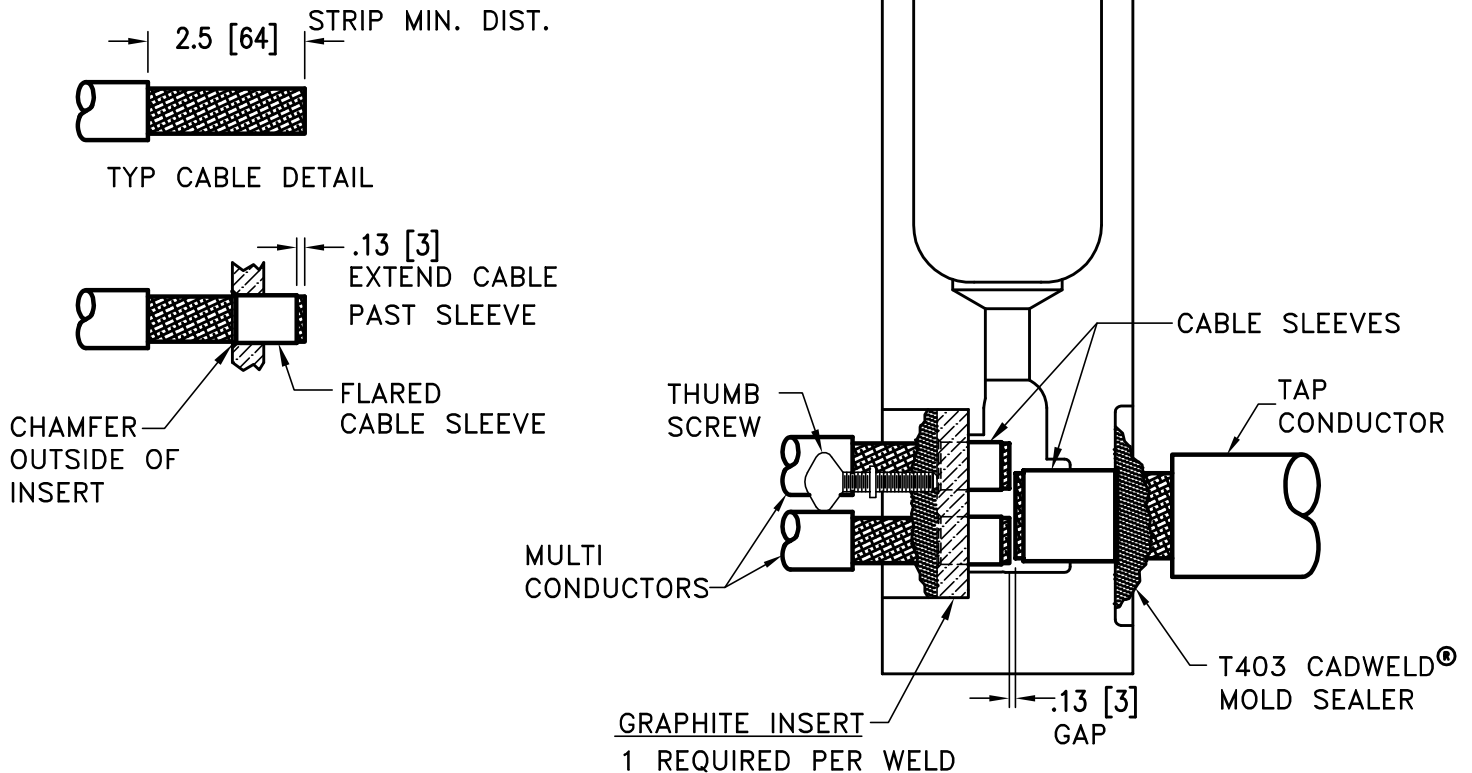


TYPE "SC" CONNECTION



PRIOR TO MAKING A CONNECTION, READ AND FOLLOW THE FULL INSTRUCTION SHEET SHIPPED WITH CADWELD (IPP) AND SPECIAL INSTRUCTIONS BELOW.

1. STRIP INSULATION BACK 2.5 [64] FROM END TO BE WELDED (SEE STRIP DETAIL)
2. INSERT CABLE INTO SLEEVE SO THAT CABLE END IS 0.13 [3] PAST END OF SLEEVE.
3. INSERT CABLE/SLEEVE THRU CHAMFERED END OF GRAPHITE INSERT. SEE DETAIL.
4. POSITION TAP CONDUCTOR WITH SLEEVE AS SHOWN. 0.13 [3] MIN GAP BETWEEN CONDUCTORS.
5. TIGHTEN (2) THUMBSCREWS ON THE MULTI CONDUCTOR SIDE UNTIL INSERT IS SNUG AGAINST INSIDE FACE OF MOLD. (SEE DETAIL ABOVE) DO NOT OVERTIGHTEN THUMBSCREWS.
6. PLACE T403 MOLD SEALER AROUND WHERE CABLE/SLEEVE EXITS MOLD AND FOLLOW STANDARD WELDING PROCEDURES.

WARNING

1. ERICO products shall be installed and used only as indicated in ERICO product instruction sheets and training materials. Instruction sheets are available at www.erico.com and from your ERICO customer service representative.
2. ERICO products must never be used for a purpose other than the purpose for which they were designed or in a manner that exceeds specified load ratings.
3. All instructions must be completely followed to ensure proper and safe installation and performance.
4. Improper installation, misuse, misapplication or other failure to completely follow ERICO's instructions and warnings may cause product malfunction, property damage, serious bodily injury and death.

The customer is responsible for:

- a. Conformance to all governing codes.
- b. The integrity of structures to which the products are attached, including their capability of safely accepting the loads imposed, as evaluated by a qualified engineer.
- c. Using appropriate industry standard hardware as noted above.

SAFETY INSTRUCTIONS: All governing codes and regulations and those required by the job site must be observed. Always use appropriate safety equipment such as eye protection, hard hat, and gloves as appropriate to the application.

CADDY, CADWELD, CRITEC, ERICO, ERIFLEX, ERITECH and LENTON are registered trademarks of ERICO International Corporation.

TECHNICAL SUPPORT:
www.erico.com

IP8054_A

1 of 1

© 2008 ERICO International Corporation

ERICO®

