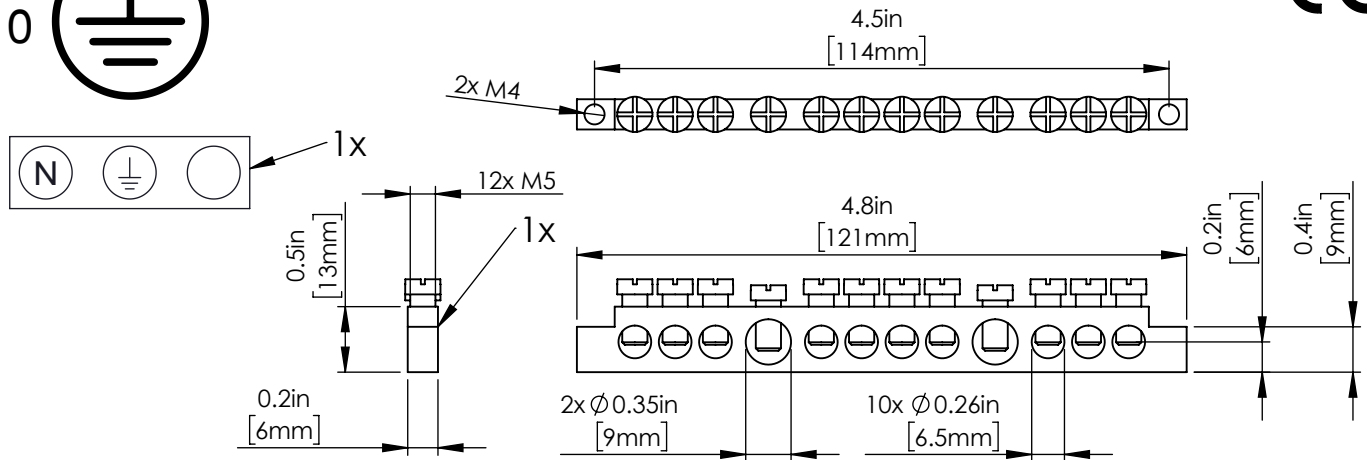






EB12
568610



 Metric rigid stranded cable

 Metric flexible stranded cable

IEC®					
#	Conductor	Size	∅		Strip Length
2		16 - 35mm ²	0.35in [9.0mm]	17 in-lbs [2 N.m]	0.50in [12.7mm]
		10 - 35mm ²			
10		4 - 16mm ²	0.26in [6.5mm]	17 in-lbs [2 N.m]	
		2.5 - 16mm ²			

 AWG solid cable

 AWG stranded cable

UL®					
#	Conductor	Size	∅		Strip Length
2		6 AWG	0.35in [9.0mm]	17 in-lbs [2 N.m]	0.50in [12.7mm]
		6 AWG			
10		8 - 6 AWG	0.26in [6.5mm]	17 in-lbs [2 N.m]	
		8 - 6 AWG			

WARNING:

- nVent products shall be installed and used only as indicated in nVent product instruction sheets and training materials. Instruction sheets are available at www.nVent.com and from your nVent customer service representative.
- nVent products must never be used for a purpose other than the purpose for which they were designed or in a manner that exceeds specified load ratings.
- All instructions must be completely followed to ensure proper and safe installation and performance.
- Improper installation, misuse, misapplication or other failure to completely follow nVent's instructions and warnings may cause product malfunction, property damage, serious bodily injury and/or death, and void your warranty.

SAFETY INSTRUCTIONS:

All governing codes and regulations and those required by the job site must be observed. Always use appropriate safety equipment such as eye protection, hard hat, and gloves as appropriate to the application.

UL is a registered trademark of UL LLC
IEC is a registered service mark of International Commission Electrotechnique

nVent, nVent CADDY, nVent ERICO Cadweld, nVent ERICO Critec, nVent ERICO, nVent ERIFLEX, and nVent LENTON are owned by nVent or its global affiliates. All other trademarks are the property of their respective owners. nVent reserves the right to change specifications without prior notice.

TECHNICAL SUPPORT
www.nVent.com

IP8057_D

1 OF 1

© 2008-2018 nVent All Rights Reserved

