

TDL 250/400 Multi Pole Distribution Block 563995



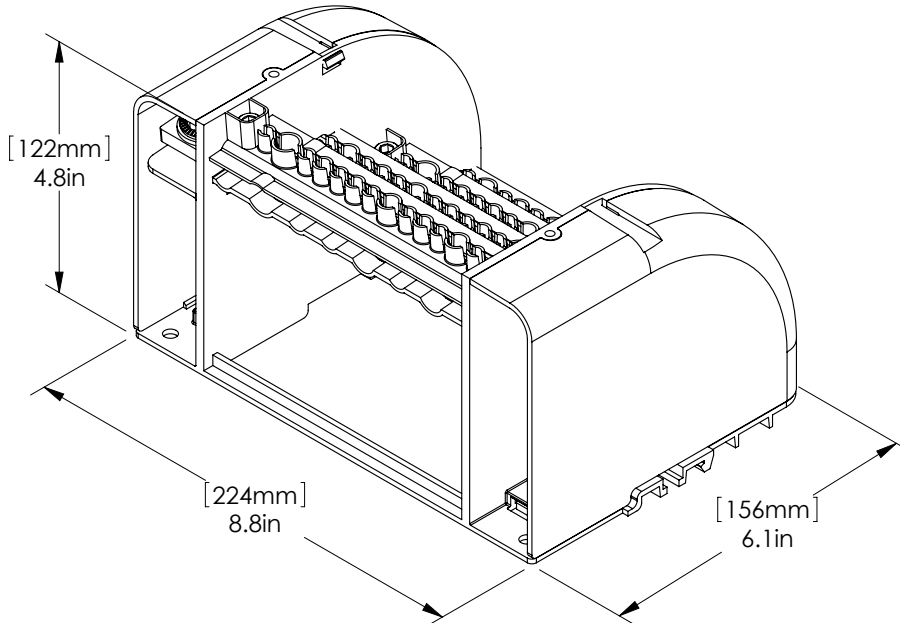
UL[®] 1059

- 600V AC/DC
- 400A ERIFLEX[®] FLEXIBAR Input
- 250A IBS or Cable w/ Lug Input

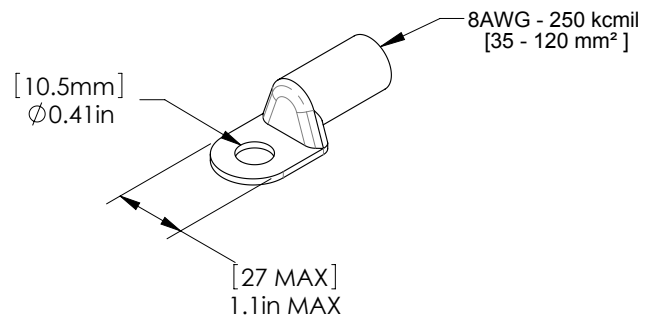
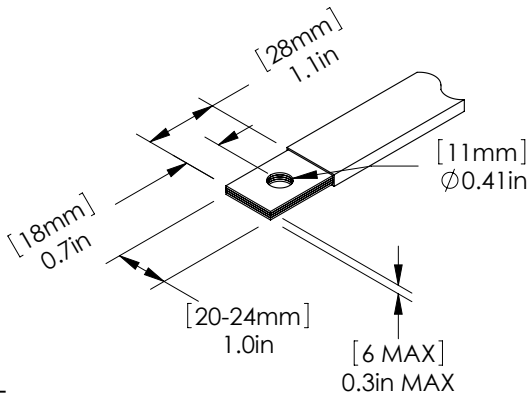


IEC[®] 60947-7-1

- 400A
- 1000V AC
- 1500V DC
- Uimp: 12 kV
- Ipk: 51 kA †
- Icw: 23 kA
- IP 10 *



	IEC ERIFLEX [®] FLEXIBAR / IBS (Width)	UL IEC only	IEC	UL IEC	UL	∅	QTY		
➔	20-24mm	35 - 120mm ²	35 - 120mm ² 8 - 250 AWG	-	-	$\frac{3}{8}$ in 10.5 mm	x1	$\frac{5}{8}$ 16mm	$\frac{177}{20}$ in-lbs N-m
➔	-	10 - 35mm ²	10 - 50mm ² 6 - 1/0 AWG	-	-	.374 in 9.5 mm	x1	$\frac{3}{16}$ 5mm	$\frac{75}{8.5}$ in-lbs N-m
➔	-	10 - 25mm ²	10 - 35mm ² 8 - 1 AWG	-	-	.354 in 9 mm	x2	$\frac{5}{32}$ 4mm	$\frac{57}{6.4}$ in-lbs N-m
➔	-	6 - 16mm ²	6 - 25mm ² 10 - 3 AWG	4 - 10mm ² 10 - 6 AWG	-	.275 in 7 mm	x4	$\frac{1}{8}$ 3mm	$\frac{31}{3.5}$ in-lbs N-m
➔	-	2.5 - 10mm ²	2.5 - 16mm ² 10 - 5 AWG	4 - 10mm ² 10 - 6 AWG	-	.216 in 5.5 mm	x7	$\frac{3}{32}$ 2.5mm	$\frac{24}{2.7}$ in-lbs N-m



NOTE:

1. Tighten screws of unused terminals to 18 in-lbs [2 Nm]
2. * When using ring terminal (lug) connections IP10 rating is not valid.
3. † Cables must be fixed or maintained within 20cm from the block

WARNING:

1. nVent products shall be installed and used only as indicated in nVent product instruction sheets and training materials. Instruction sheets are available at www.nVent.com and from your nVent customer service representative.
2. nVent products must never be used for a purpose other than the purpose for which they were designed or in a manner that exceeds specified load ratings.
3. All instructions must be completely followed to ensure proper and safe installation and performance.
4. Improper installation, misuse, misapplication or other failure to completely follow nVent's instructions and warnings may cause product malfunction, property damage, serious bodily injury and/or death, and void your warranty.

SAFETY INSTRUCTIONS:

All governing codes and regulations and those required by the job site must be observed. Always use appropriate safety equipment such as eye protection, hard hat, and gloves as appropriate to the application.

nVent, CADDY, ERICO CADWELD, ERICO CRITEC, ERICO, ERIFLEX, and LENTON are owned by nVent or its global affiliates. All other trademarks are the property of their respective owners. nVent reserves the right to change specifications without prior notice.



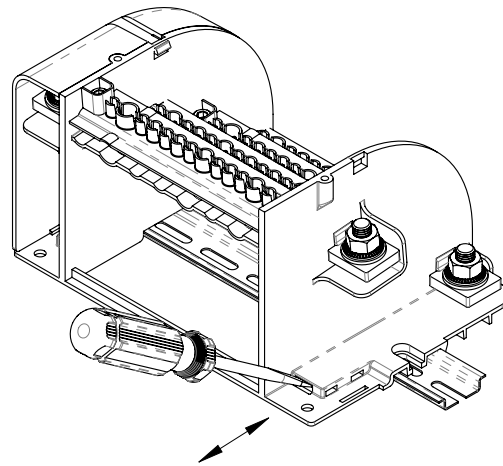
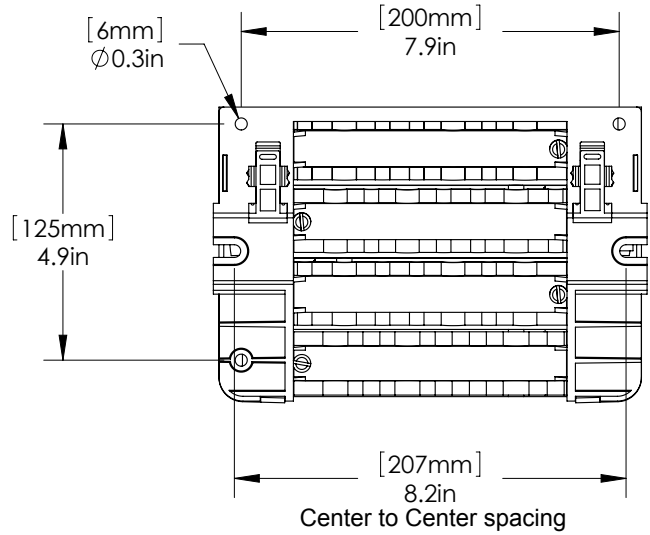
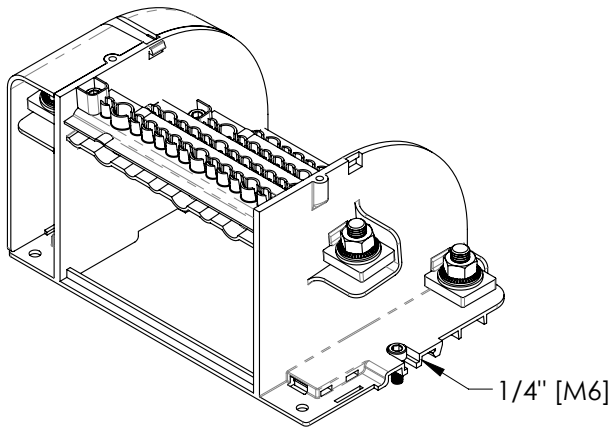
TECHNICAL SUPPORT
www.nVent.com

IP8063_E

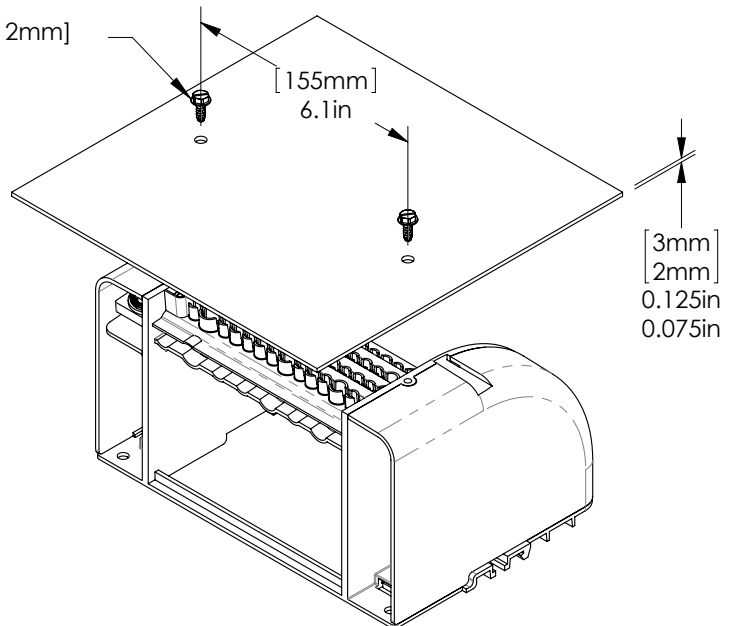
1 OF 2

© 2010 nVent All Rights Reserved





Self Tapping
#10 X 1/2" [M5 X 12mm]
(included)



Screw Caps (included) must be used to maintain IP10 rating when larger conductor sizes are installed.

