

SBLT350 / SBTT350

561142/561143

UL **1059**

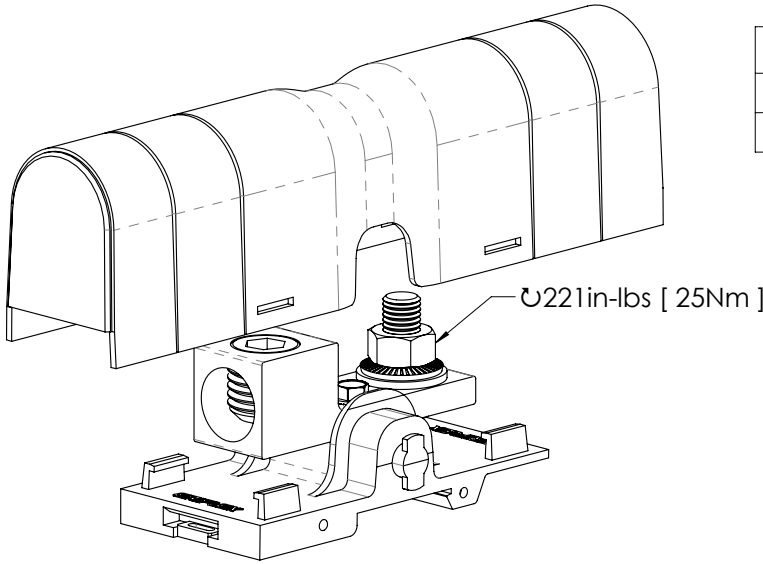
- 1000V AC/DC
- Short-Circuit Current Rating †
100 kA @ 600V

IEC **60947-7-1**

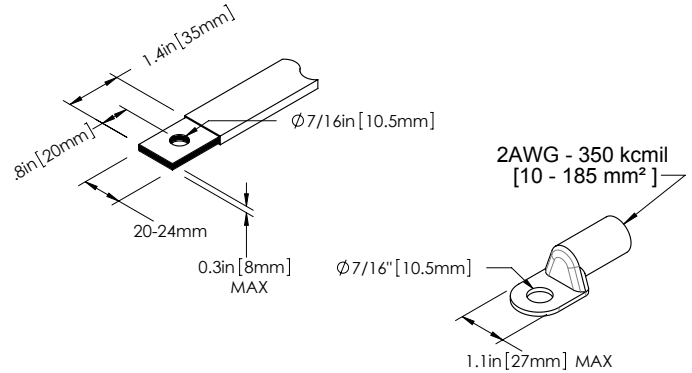
Uj: 1000V AC / 1500V DC
Uimp: 12 kV
Ipk: 43 kA*
Icw: 22,2 kA rms 1s*

561142 : SBLT350

IEC : 500 AMP / UL : 310 AMP / CSA : 310 AMP

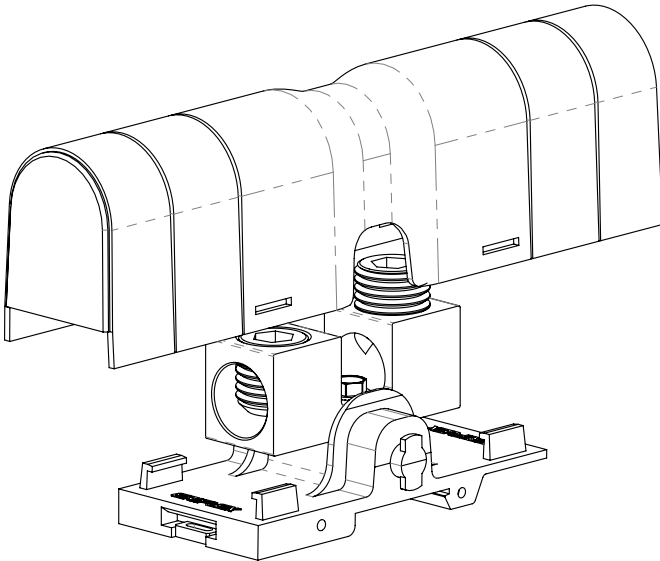


Ø	UL	IEC	IEC only	QTY	STRIP LENGTH	⌚
.787 in	2...350 AWG	-	-	X1	1.2 in	221 in-lbs
20.0 mm	35...185mm ²	35...150mm ²	35...150mm ²		30.0 mm	25 N-m



561143 : SBTT350

IEC : 500 AMP / UL : 310 AMP / CSA : 310 AMP



Ø	UL	IEC	IEC only	QTY	STRIP LENGTH	⌚
.787 in	2...350 AWG	-	-	X1	1.2 in	221 in-lbs
20.0 mm	35...185mm ²	35...150mm ²	35...150mm ²		30.0 mm	25 N-m

Notes:

- * For IEC Short-Circuit applications the cable must be secured within 20cm of the terminal block
- † See UL file E198301 for UL1059SA Short-Circuit current rating conditions
- § IEC current produced a temperature rise of less than 45K when used with appropriate and adequate cable(s)

cURus is a registered Recognized Component Mark of Underwriters Laboratories, Inc
UL is a registered trademark of Underwriters Laboratories, Inc.
IEC is a registered trademark of International Electrotechnical Commission
CSA mark is a registered trademark of CSA Group Certification & Testing Inc.,

WARNING:

1. nVent products shall be installed and used only as indicated in nVent product instruction sheets and training materials. Instruction sheets are available at www.nVent.com and from your nVent customer service representative.
2. nVent products must never be used for a purpose other than the purpose for which they were designed or in a manner that exceeds specified load ratings.
3. All instructions must be completely followed to ensure proper and safe installation and performance.
4. Improper installation, misuse, misapplication or other failure to completely follow nVent's instructions and warnings may cause product malfunction, property damage, serious bodily injury and/or death, and void your warranty.

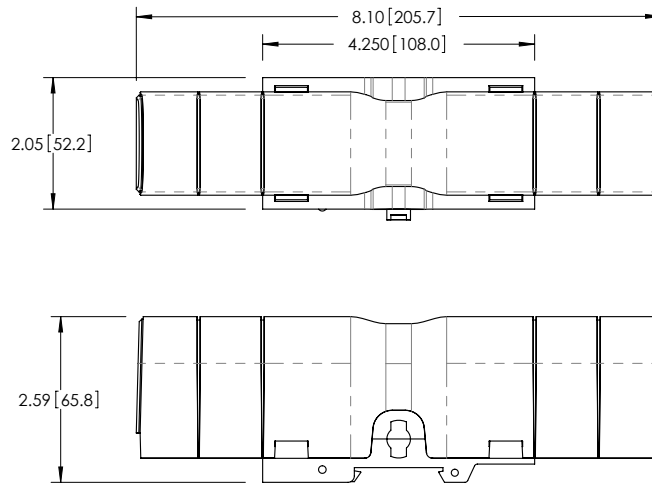
SAFETY INSTRUCTIONS:

All governing codes and regulations and those required by the job site must be observed.
Always use appropriate safety equipment such as eye protection, hard hat, and gloves as appropriate to the application.

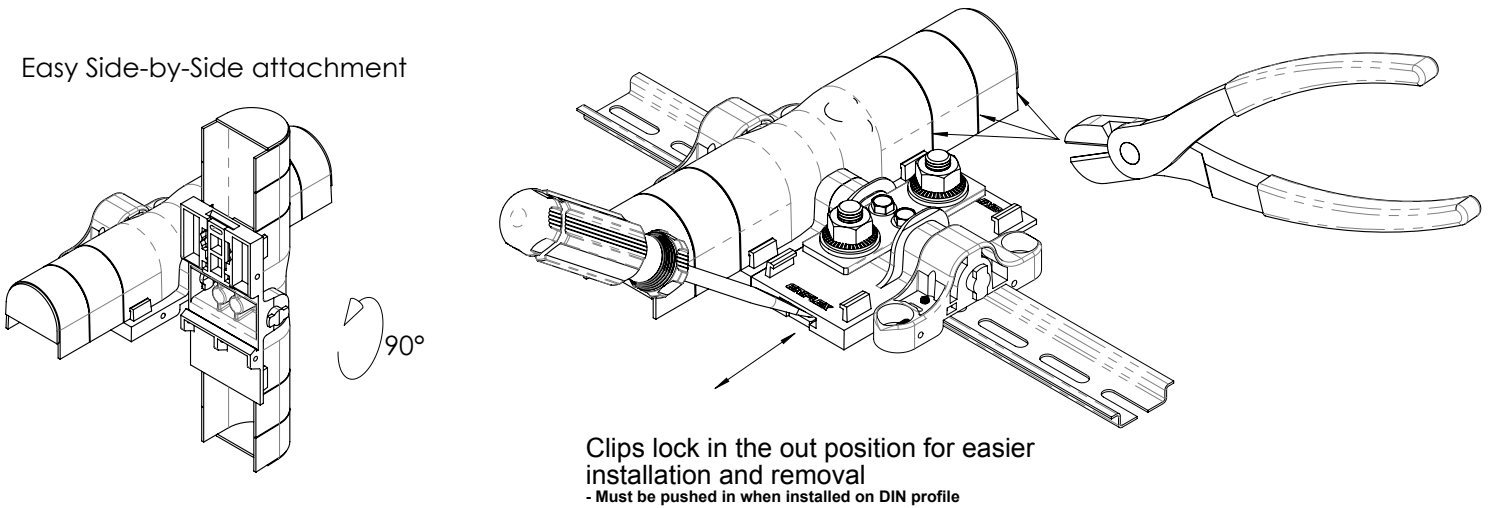
nVent, CADDY, ERICO CADWELD, ERICO CRITEC, ERICO, ERIFLEX, and LENTON are owned by nVent or its global affiliates. All other trademarks are the property of their respective owners. nVent reserves the right to change specifications without prior notice.

SBLT350 / SBTT350

561142/561143



Easy Side-by-Side attachment



NOTE:

1. For multiple phase assemblies, join blocks together before installing on DIN profile
2. When mounted on DIN profile end stops must be used on both ends of a set of blocks.

ACCESSORIES

561138 : SBLEC - END STOP

