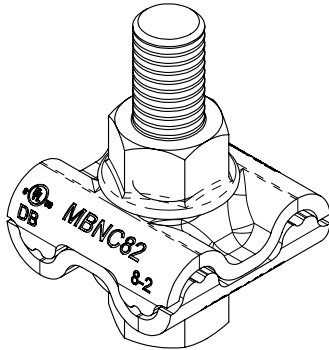


Bonding Network Connector

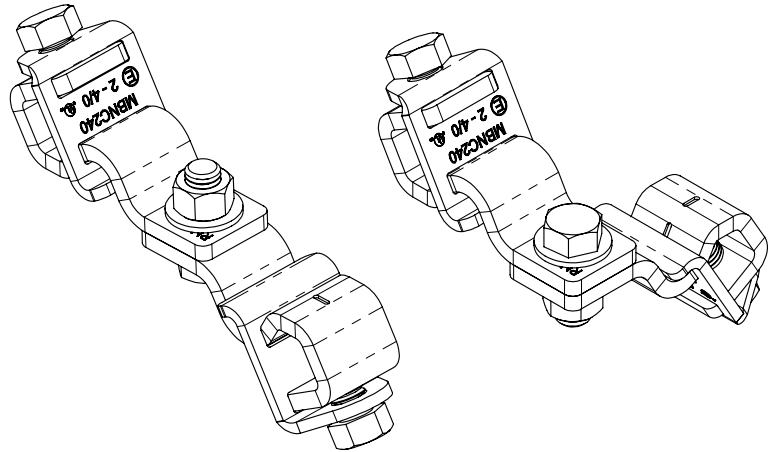
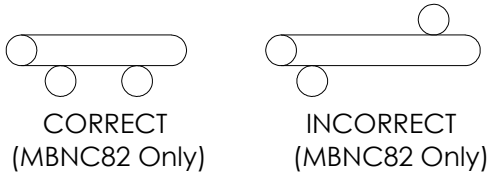
MBNC82, MBNC240 and MBNC240A

Part #	Conductor Type	Size
MBNC82	Solid, Stranded ¹	8 - 2 AWG
MBNC240	Solid, Stranded ²	2 - 4/0 AWG
MBNC240A	Solid, Stranded ²	2 - 4/0 AWG

1. Stranded conductors #8 - #2 AWG: 7 or 19 strands
 2. Solid Conductors: #2 AWG; Stranded Conductors #2 AWG 7 or 19 strands, #1 - 4/0 AWG: 7, 19 or 37 strands

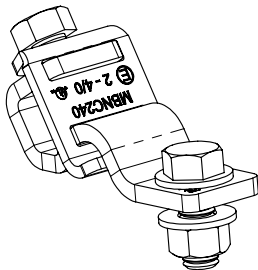


MBNC82

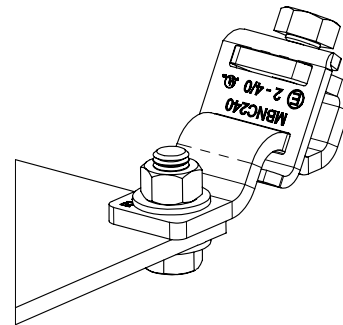


MBNC240

(Configurations for reference only)



MBNC240A



MBNC240A attached to a metal plate
(Reference only)

MBNC82, MBNC240 and MBNC240A Installation:

- Using a 5/8" deep well socket, torque nuts to 150 in-lbs [17 N-m].
- Conductors must extend at least 1" outside of connector.
- Install parallel conductors on the same plane (MBNC82 Only).

WARNING:

- ERICO products shall be installed and used only as indicated in ERICO product instruction sheets and training materials. Instruction sheets are available at www.erico.com and from your ERICO customer service representative.
- ERICO products must never be used for a purpose other than the purpose for which they were designed or in a manner that exceeds specified load ratings.
- All instructions must be completely followed to ensure proper and safe installation and performance.
- Improper installation, misuse, misapplication or other failure to completely follow ERICO's instructions and warnings may cause product malfunction, property damage, serious bodily injury and death.

SAFETY INSTRUCTIONS:

All governing codes and regulations and those required by the job site must be observed.
 Always use appropriate safety equipment such as eye protection, hard hat, and gloves as appropriate to the application.



CADDY, CADWELD, CRITEC, ERICO, ERIFLEX, ERITECH, and LENTON are registered trademarks of ERICO International Corporation.