

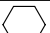
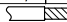
INSTRUCTION SHEET

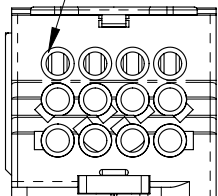
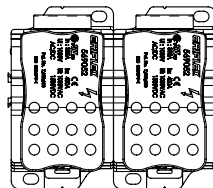
UD400112CU(569052) UD400112AL(569252)



NOTE:

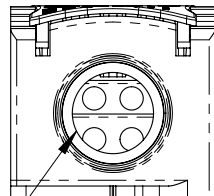
1. Tighten screw of all unused galleries to the specified torque above.
2. For multiple phase assemblies, join blocks together before installing on DIN profile.



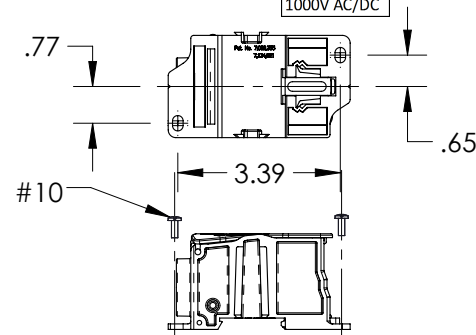
PART NO.	SIZE(12X)	TORQUE	STRIP LENGTH	
				
569052	14...6AWG	24.0 in.-lbs.	0.39 in.	7/64 in.
569252	14...6AWG	45.0 in.-lbs.		



SIZE(1X)	TORQUE	STRIP LENGTH	
			
3/0...400MCM AWG	221.0 in.-lbs.	1.04 in.	25/64 in.



UD400112CU
569052
UD400112AL
569252
I = 335A
1000V AC/DC



WARNING:

1. nVent products shall be installed and used only as indicated in nVent product instruction sheets and training materials. Instruction sheets are available at www.nVent.com and from your nVent customer service representative.
2. nVent products must never be used for a purpose other than the purpose for which they were designed or in a manner that exceeds specified load ratings.
3. All instructions must be completely followed to ensure proper and safe installation and performance.
4. Improper installation, misuse, misapplication or other failure to completely follow nVent's instructions and warnings may cause product malfunction, property damage, serious bodily injury and/or death, and void your warranty.

SAFETY INSTRUCTIONS:

All governing codes and regulations and those required by the job site must be observed. Always use appropriate safety equipment such as eye protection, hard hat, and gloves as appropriate to the application. cURus is a registered Recognized Component Mark of Underwriters Laboratories, Inc. UL is a registered trademark of Underwriters Laboratories, Inc. CSA mark is a registered trademark of CSA Group Certification & Testing Inc.,

nVent, CADDY, ERICO CADWELD, ERICO CRITEC, ERICO, ERIFLEX, and LENTON are owned by nVent or its global affiliates. All other trademarks are the property of their respective owners. nVent reserves the right to change specifications without prior notice.



TECHNICAL SUPPORT
www.nVent.com

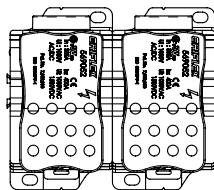
IP8181_F

1 OF 2

© 2010-2018 nVent All Rights Reserved

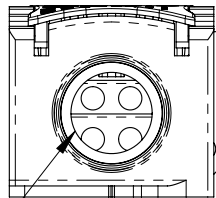
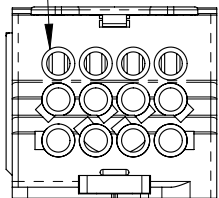


UD400112CU(569052)
UD400112AL(569252)



UD400112CU 569052 UD400112AL 569252
I = 400A
Ui = 1000V AC/ 1500V DC Uimp = 12kV Ipk = 51kA Icw = 24.5kA rms @ 1 sec

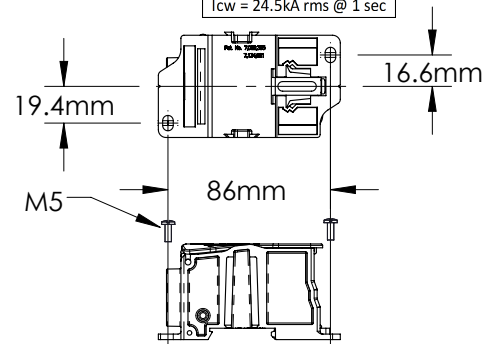
SIZE(12X)	TORQUE	STRIP	
	OR		
2.5...10mm ²	2.7N-m	10mm	3mm



SIZE(1X)	TORQUE	STRIP	
	OR		
95...185mm ²	25 N-m	26.4mm	10mm

NOTE:

1. Tighten screw of all unused galleries to the specified torque above.
2. For multiple phase assemblies, join blocks together before installing on DIN profile.



IEC is a registered trademark of International Electrotechnical Commission

nVent, CADDY, ERICO CADWELD, ERICO CRITEC, ERICO, ERIFLEX, and LENTON are owned by nVent or its global affiliates. All other trademarks are the property of their respective owners. nVent reserves the right to change specifications without prior notice.