



INSTRUCTION SHEET

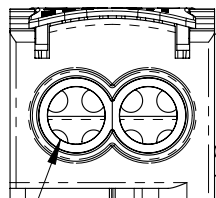
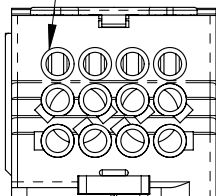
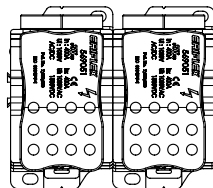
UD400212CU(569051) UD400212AL(569251)

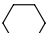

NOTE:

1. Tighten screw of all unused galleries to the specified torque above.
2. For multiple phase assemblies, join blocks together before installing on DIN profile.



PART NO.	SIZE(12X)	TORQUE	STRIP LENGTH	
				
569051	14...6AWG	24.0 in-lbs.	0.39 in.	7/64 in.
569251	14...6AWG	45.0 in-lbs.		



SIZE(2X)	TORQUE	STRIP LENGTH	
			
8...3/0 AWG	120.0 in-lbs.	1.04 in.	15/64 in.

WARNING:

1. nVent products shall be installed and used only as indicated in nVent product instruction sheets and training materials. Instruction sheets are available at www.nVent.com and from your nVent customer service representative.
2. nVent products must never be used for a purpose other than the purpose for which they were designed or in a manner that exceeds specified load ratings.
3. All instructions must be completely followed to ensure proper and safe installation and performance.
4. Improper installation, misuse, misapplication or other failure to completely follow nVent's instructions and warnings may cause product malfunction, property damage, serious bodily injury and/or death, and void your warranty.

SAFETY INSTRUCTIONS:

All governing codes and regulations and those required by the job site must be observed. Always use appropriate safety equipment such as eye protection, hard hat, and gloves as appropriate to the application.

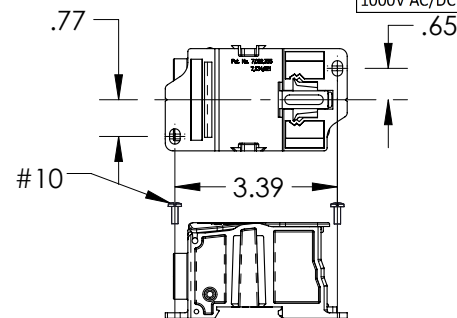
cURus is a registered Recognized Component Mark of Underwriters Laboratories, Inc

UL is a registered trademark of Underwriters Laboratories, Inc.

CSA mark is a registered trademark of CSA Group Certification & Testing Inc.,

nVent, CADDY, ERICO CADWELD, ERICO CRITEC, ERICO, ERIFLEX, and LENTON are owned by nVent or its global affiliates. All other trademarks are the property of their respective owners. nVent reserves the right to change specifications without prior notice.

UD400212CU
569051
UD400212AL
569251
I = 400A
1000V AC/DC



TECHNICAL SUPPORT
www.nVent.com

IP8182_F

1 OF 2

© 2010-2018 nVent All Rights Reserved

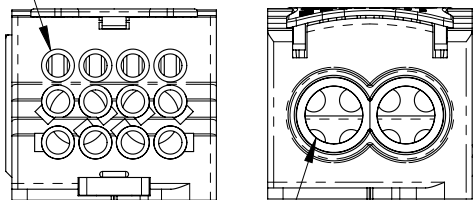
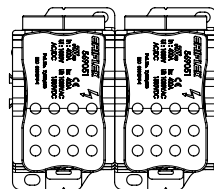


UD400212CU(569051)
UD400212AL(569251)



UD400212CU 569051 UD400212AL 569251
I = 400A
U _i = 1000V AC/ 1500V DC U _{imp} = 12kV I _{pk} = 51kA I _{cw} = 24.5kA rms @ 1 sec

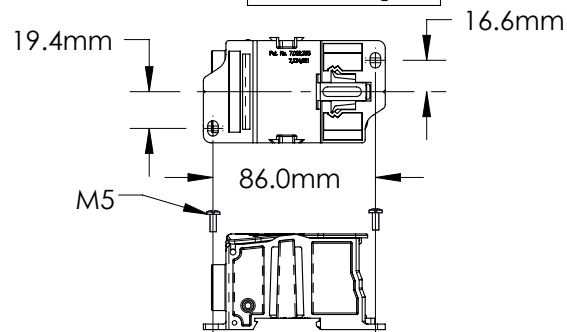
SIZE(12X)	TORQUE	STRIP	
	OR		
2.5...10mm ²	2.7N·m	10mm	3mm



SIZE(2X)	TORQUE	STRIP	
	OR		
35...95mm ²	13.6 N·m	26.4mm	6mm

NOTE:

1. Tighten screw of all unused galleries to the specified torque above.
2. For multiple phase assemblies, join blocks together before installing on DIN profile.



IEC is a registered trademark of International Electrotechnical Commission

nVent, CADDY, ERICO CADWELD, ERICO CRITEC, ERICO, ERIFLEX, and LENTON are owned by nVent or its global affiliates. All other trademarks are the property of their respective owners. nVent reserves the right to change specifications without prior notice.



TECHNICAL SUPPORT
www.nVent.com

IP8182_F

2 OF 2

© 2010-2018 nVent All Rights Reserved

