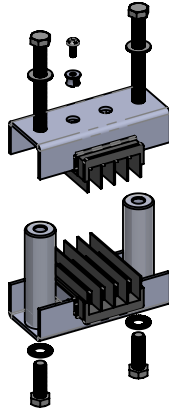


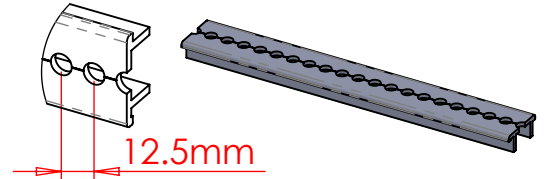
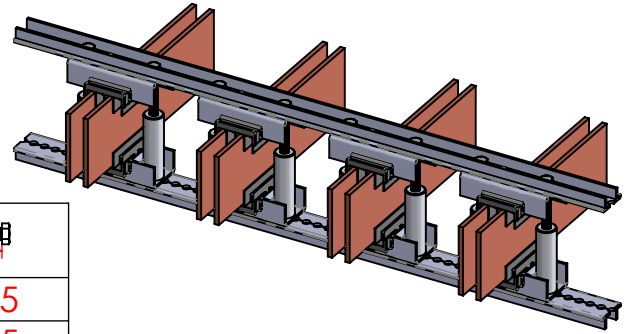
ABS Module Series Bus Bar Mount Support

0 → 1000 VAC
0 → 1500 VDC

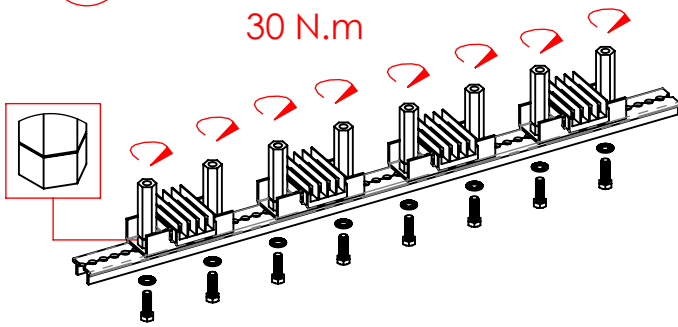
Description	Part n°
ABS1-10MOD	560880
ABS1-5MOD	560860
ABS2-10MOD	560890
ABS3-10MOD	560900
ABS4-5MOD	560870
ABS kit 160x10	560910
ABS kit 200x10	560920



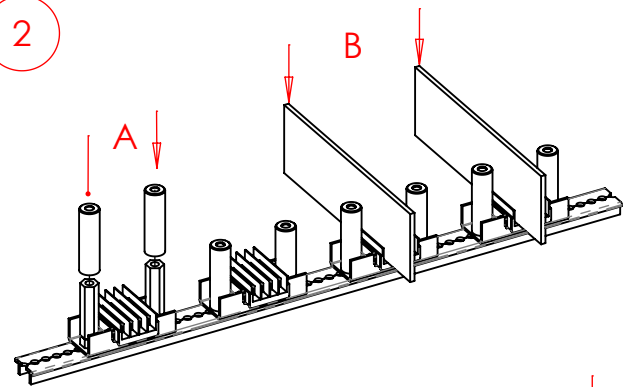
Height (mm)	Mounting Hole Size	Kit Description	Part Number
50	H M8-45		
60	H M8-75		
63	H M8-75		
80	H M8-75		
100	H M8-120		
120	H M8-120		
125	H M8-120		
160	H M8-160	ABS kit 160x10	560910
200	H M8-200	ABS kit 200x10	560920



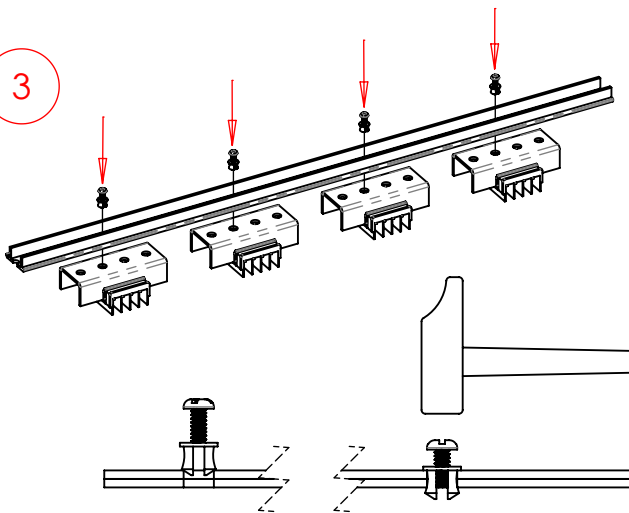
1



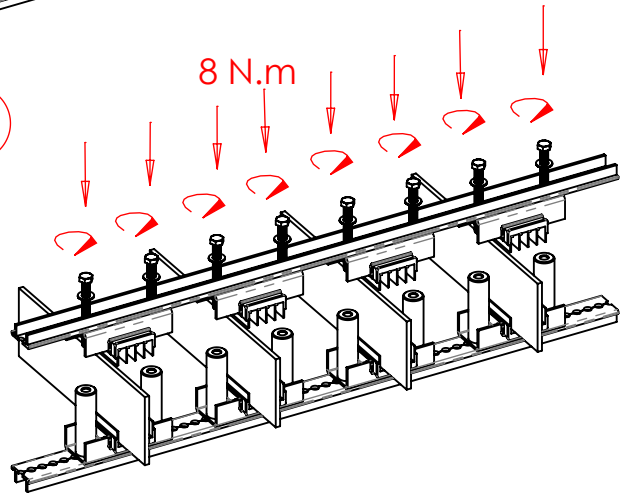
2



3



4



WARNING:

- nVent products shall be installed and used only as indicated in nVent product instruction sheets and training materials. Instruction sheets are available at www.nVent.com and from your nVent customer service representative.
- nVent products must never be used for a purpose other than the purpose for which they were designed or in a manner that exceeds specified load ratings.
- All instructions must be completely followed to ensure proper and safe installation and performance.
- Improper installation, misuse, misapplication or other failure to completely follow nVent's instructions and warnings may cause product malfunction, property damage, serious bodily injury and/or death, and void your warranty.

SAFETY INSTRUCTIONS:

All governing codes and regulations and those required by the job site must be observed. Always use appropriate safety equipment such as eye protection, hard hat, and gloves as appropriate to the application.

nVent, CADDY, ERICO CADWELD, ERICO CRITEC, ERICO, ERIFLEX, and LENTON are owned by nVent or its global affiliates. All other trademarks are the property of their respective owners. nVent reserves the right to change specifications without prior notice.