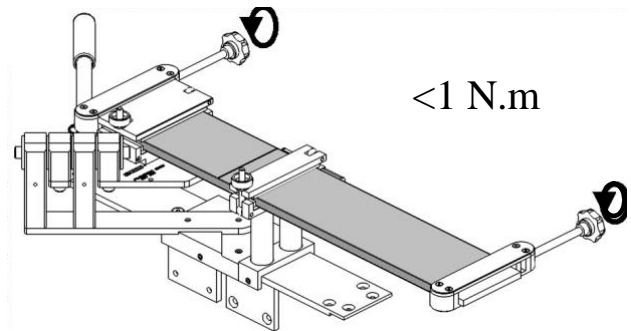
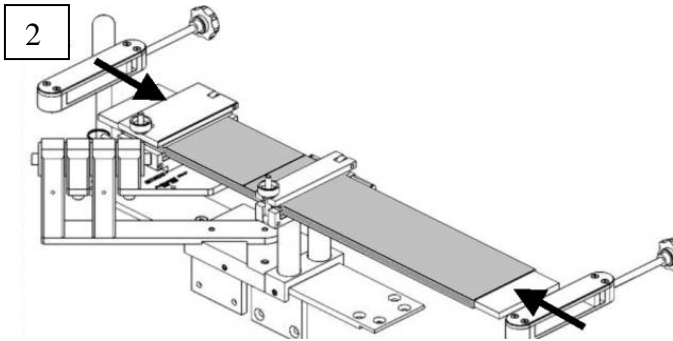
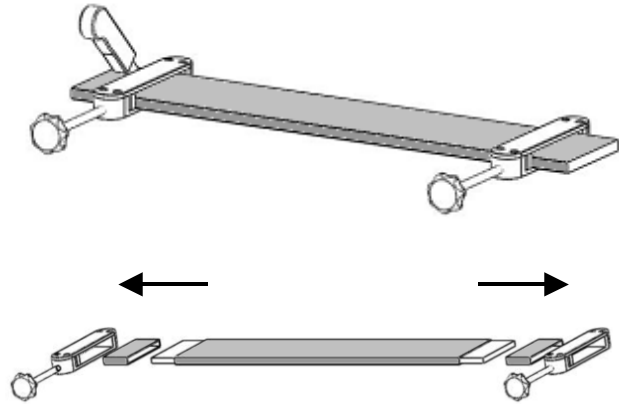
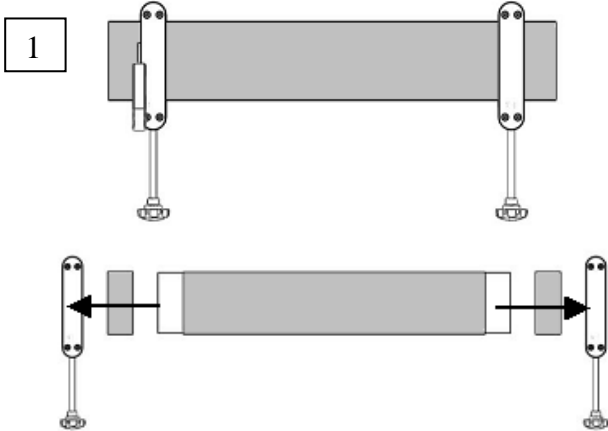
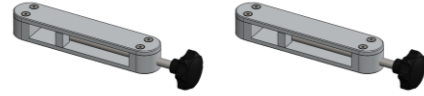
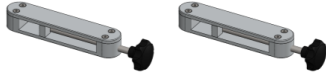


nVent ERIFLEX Flexibar Folding Tool Clamps MFFC (558934 & 558935)

558934 nVent ERIFLEX Flexibar dimensions [mm]:
2x20x1 ⇒ 10x63x1 (63mm max)

558935 nVent ERIFLEX Flexibar dimensions [mm]:
2x20x1 ⇒ 10x120x1 or 12x100x1 (120mm max)



*Tooling shown in figure 2 sold separately, nVent ERIFLEX Flexibar shown in figures 1 & 2 not included

WARNING:

1. nVent products shall be installed and used only as indicated in nVent product instruction sheets and training materials. Instruction sheets are available at www.nVent.com and from your nVent customer service representative.
2. nVent products must never be used for a purpose other than the purpose for which they were designed or in a manner that exceeds specified load ratings.
3. All instructions must be completely followed to ensure proper and safe installation and performance.
4. Improper installation, misuse, misapplication or other failure to completely follow nVent's instructions and warnings may cause product malfunction, property damage, serious bodily injury and/or death, and void your warranty.

SAFETY INSTRUCTIONS: All governing codes and regulations and those required by the job site must be observed. Always use appropriate safety equipment such as eye protection, hard hat, and gloves as appropriate to the application.

nVent, CADDY, ERICO CADWELD, ERICO CRITEC, ERICO, ERIFLEX, and LENTON are owned by nVent or its global affiliates. All other trademarks are the property of their respective owners. nVent reserves the right to change specifications without prior notice.