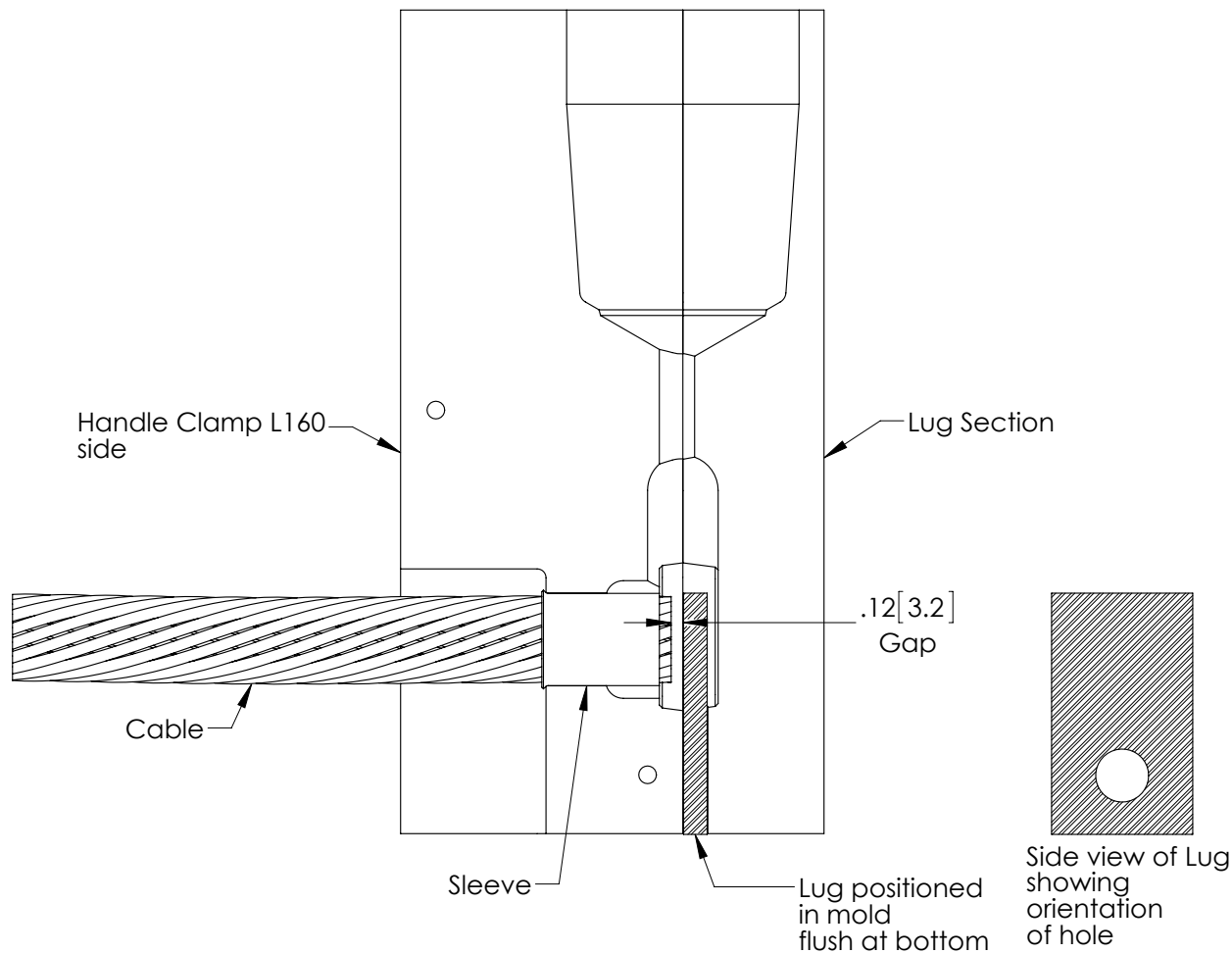


# CADWELD®

## CABLE TO BUS/LUG, VERT ELL BUS DOWN



Prior to making a connection, read and follow the full instruction sheet (IPP & IPRNS) shipped with CADWELD mold and special instructions below.

1. Place the cable with the sleeve into the mold and close this section of the mold using handle clamp L160.
2. Close and lock the lug section of the mold.
3. Place lug into the mold.
4. Position cable/sleeve and lug in mold as shown above.
5. Gap cable 0.12[3.2] from bus.
6. Follow standard welding procedures

**WARNING:**

1. ERICO products shall be installed and used only as indicated in ERICO product instruction sheets and training materials. Instruction sheets are available at [www.erico.com](http://www.erico.com) and from your ERICO customer service representative.
2. ERICO products must never be used for a purpose other than the purpose for which they were designed or in a manner that exceeds specified load ratings.
3. All instructions must be completely followed to ensure proper and safe installation and performance.
4. Improper installation, misuse, misapplication or other failure to completely follow ERICO's instructions and warnings may cause product malfunction, property damage, serious bodily injury and death.

**SAFETY INSTRUCTIONS:**

All governing codes and regulations and those required by the job site must be observed. Always use appropriate safety equipment such as eye protection, hard hat, and gloves as appropriate to the application.

CADDY, CADWELD, CRITEC, ERICO, ERIFLEX, ERITECH, and LENTON are registered trademarks of ERICO International Corporation.