

SBF630 561157

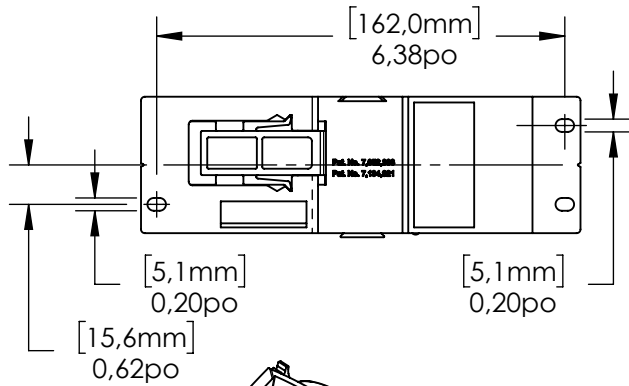
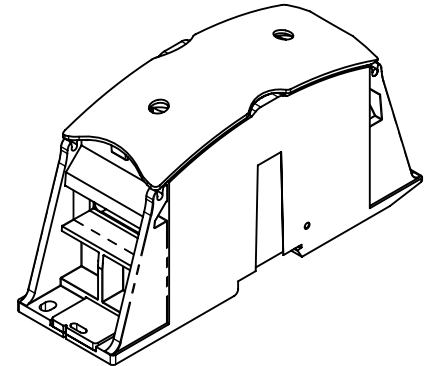
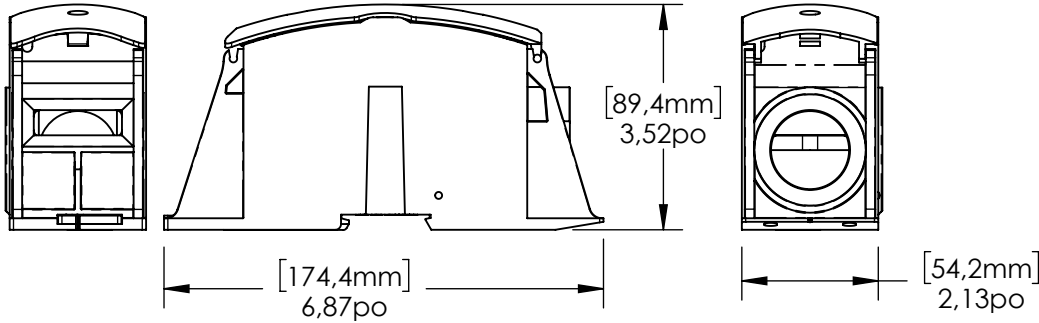


IEC 60947-7-1
800A IBSB; 805A ERICO® FLEXIBAR®
1000 VAC/1500 VDC
Uimp=12kV
Ipk=51kA
Icw kA rms 1s=60.0



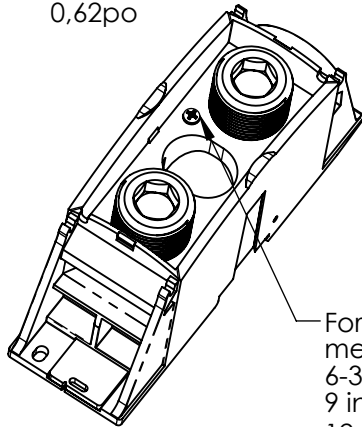
UL 1059
545A
1000V AC/DC
SCCR up to 100kA*

AL or CU Conductor
IP20
95% Fill Ratio
Halogen Free
UL 94 Flammability V-0



IEC 60947-7-1							
	No. Terminals	Conductor	Size	Ø	Torque	Strip Length	Hex
➔	x1	ERICO® FLEXIBAR®	2x20x1 to 8x32x1	N/A	13,5 N-m	50,0mm	10mm
		IBSB/IBSBR	100, 240				
➔	x1		240...500mm ²	31,0mm	45,2 N-m		

Metric rigid stranded cable
 Metric flexible stranded cable



For voltage measurement only.
 6-32 UNC-2B
 9 in-lbs [1.0 N-m]
 12 AWG / 4mm² maximum

UL 1059							
	No. Terminals	Conductor	Size	Ø	Torque	Strip Length	Hex
➔	x1	ERICO® FLEXIBAR®	2x20x1 to 8x32x1	N/A	120 in-lbs	1.97 in	3/8 in
		IBSB/IBSBR	100, 240				
➔	x1		400 kcmil... 1000 kcmil	1.22 in	400 in-lbs		

AWG stranded cable

NOTE:

- *Refer to UL file E198301 for conditions of acceptance.
- For multiple phase assemblies, join blocks together before installing DIN profile.
- When mounted on DIN profile, end stops should be used on both ends of gangable blocks.
- For IEC, the cable must be secured within 15cm of the terminal.

WARNING:

- nVent products shall be installed and used only as indicated in nVent product instruction sheets and training materials. Instruction sheets are available at www.nVent.com and from your nVent customer service representative.
- nVent products must never be used for a purpose other than the purpose for which they were designed or in a manner that exceeds specified load ratings.
- All instructions must be **completely** followed to ensure proper and safe installation and performance.
- Improper installation, misuse, misapplication or other failure to completely follow nVent's instructions and warnings may cause product malfunction, property damage, serious bodily injury and/or death, and void your warranty.

SAFETY INSTRUCTIONS:

All governing codes and regulations and those required by the job site must be observed. Always use appropriate safety equipment such as eye protection, hard hat, and gloves as appropriate to the application.

UL is a registered trademark of UL LLC.
 UR is a registered certification mark of UL LLC.

nVent, nVent CADDY, nVent ERICO Cadweld, nVent ERICO Critec, nVent ERICO, nVent ERIFLEX, and nVent LENTON are owned by nVent or its global affiliates. All other trademarks are the property of their respective owners. nVent reserves the right to change specifications without prior notice.

TECHNICAL SUPPORT
www.nVent.com

IP8280_C

1 OF 1

© 2013-2019 nVent All Rights Reserved

