

FLUSH MOUNT PLATE SES40P ACCESSORY

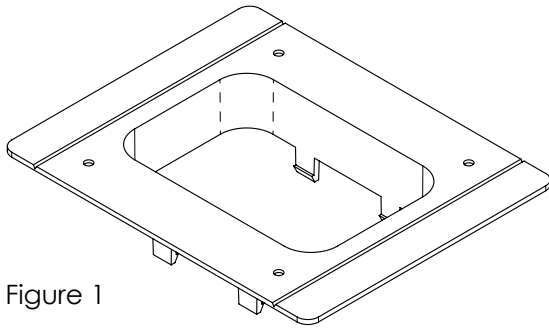


Figure 1

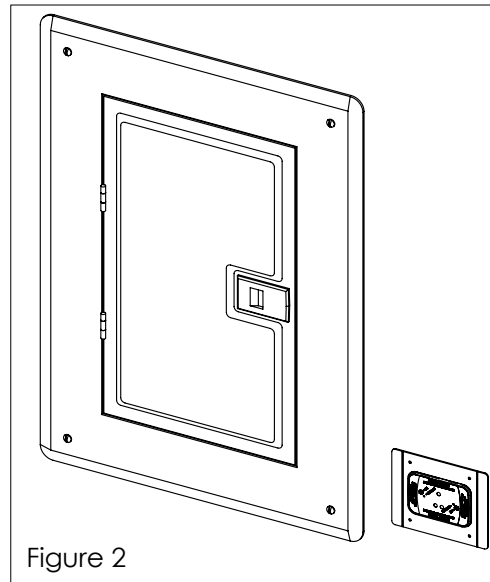


Figure 2

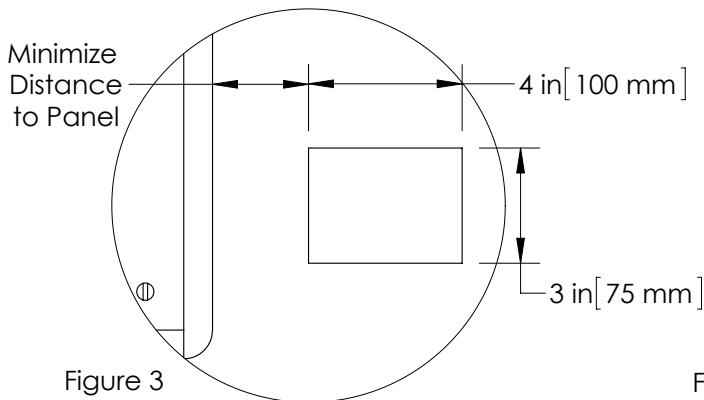


Figure 3

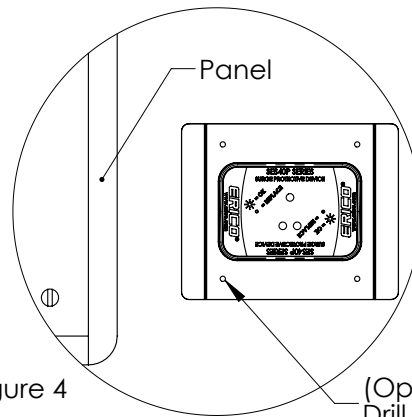


Figure 4

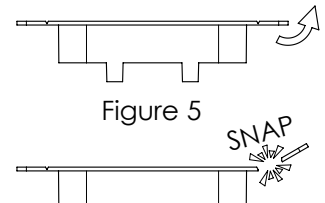


Figure 5

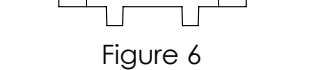


Figure 6

INSTALLATION INSTRUCTIONS

- Verify system requirements.** Confirm the Surge Protective Device (SPD) is correctly rated for the system to which it is to be connected. Compare measured system voltage to the SPD voltage rating.
- Identify location for the SPD.** Locate the unit as close as possible to the panel being protected to minimize lead lengths. Follow all steps detailed on the instructions included with the SPD.
- Cut mounting hole.** Measure and cut a hole in the mounting substrate (wall) for the SPD per Figure 3. Ensure the mounting hole will allow the SPD to properly connect to the panel per the instructions included with the SPD.
- Install the SPD.** With power off, install the SPD according to the instructions provided with the device.
- (Optional) Snap-off edges.** Using the integrated bend lines, the outer edges may be removed if more clearance is needed (Figure 5 and 6)
- (Optional) Drill holes.** If desired, carefully drill holes through the dimples so that the Flush Mount Plate may be fastened with screws. Choose screws and drill bit size as required by the application. See Figure 4.
- Install Flush Mount Plate.** Ensure sufficient clearance around the SPD to insert the Flush Mount Plate, adjust hole size if necessary. Install Flush Mount Plate by fitting the installed SPD through the center opening until the Flush Mount Plate rests against the substrate. Drive screws through holes and into substrate if desired.

DANGER:

ELECTRICAL SHOCK OR BURN HAZARD. HAZARDOUS VOLTAGES EXIST INTERNAL TO THE SES40P. THIS UNIT SHOULD BE INSTALLED AND SERVICED ONLY BY QUALIFIED PERSONNEL IN CONFORMANCE WITH ALL GOVERNING CODES AND INSTRUCTIONS. FAILURE TO LOCKOUT ELECTRICAL POWER DURING INSTALLATION OR MAINTENANCE CAN RESULT IN FATAL ELECTROCUTION, SEVERE BURNS, OR OTHER INJURIES. BEFORE WORKING WITH OR MAKING ANY CONNECTIONS TO THIS DEVICE, BE SURE THAT POWER HAS BEEN REMOVED FROM ALL ASSOCIATED WIRING, ELECTRICAL PANELS, AND OTHER ELECTRICAL EQUIPMENT.

- The power supply to the SES40P should always be turned (and locked) OFF before the unit is accessed for any reason.
- Prior to installation, ensure that the SES40P is of the correct voltage, current, phasing, and frequency for the applicable rating of the power distribution system.
- This unit may be installed on the load side or the line side of the main over-current protection provided that it is not installed on services with more than 200kA fault current capability.
- Diagrams are for reference only. Schematics are representative of typical applications and are only to be used for reference.

WARNING:

- ERICO products shall be installed and used only as indicated in ERICO product instruction sheets and training materials. Instruction sheets are available at www.erico.com and from your ERICO customer service representative.
- ERICO products must never be used for a purpose other than the purpose for which they were designed or in a manner that exceeds specified load ratings.
- All instructions must be completely followed to ensure proper and safe installation and performance.
- Improper installation, misuse, misapplication or other failure to completely follow ERICO's instructions and warnings may cause product malfunction, property damage, serious bodily injury and death.

SAFETY INSTRUCTIONS:

All governing codes and regulations and those required by the job site must be observed. Always use appropriate safety equipment such as eye protection, hard hat, and gloves as appropriate to the application.

CADDY, CADWELD, CRITEC, ERICO, ERIFLEX, ERITECH, and LENTON are registered trademarks of ERICO International Corporation.

