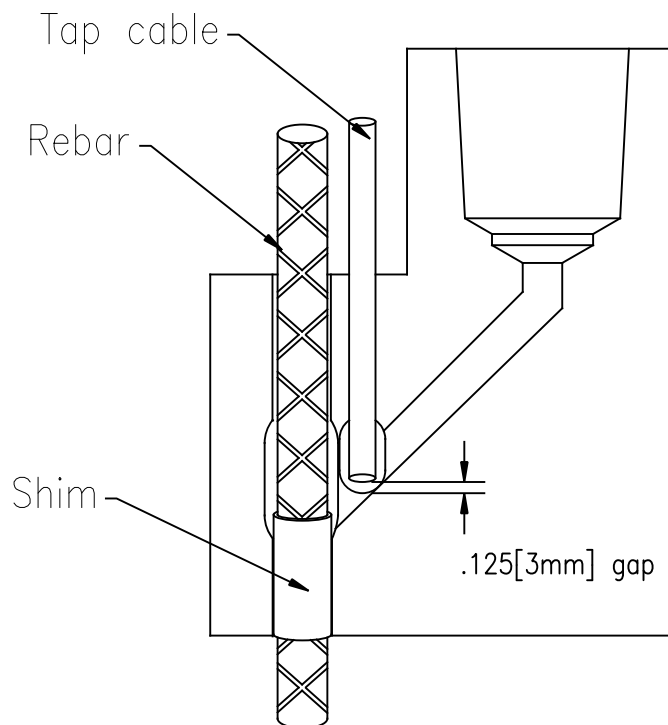


Type "RV" Connection



Prior to making a connection read and follow instructions on IPP and special instructions below.

1. Wrap shim around rebar below cleaned area of weld.
2. Position mold on rebar and cable, with bottom of mold even with bottom edge of shim (as shown above)
3. Insert cable into mold until it stops. lift cable up 1/8 inch [3] mm
4. Lock mold halves together with EZ clamp
5. Use clamp or locking pliers on rebar to support mold
6. Follow standard welding and safety procedures as shown on IPP.

WARNING

1. ERICO products shall be installed and used only as indicated in ERICO product instruction sheets and training materials. Instruction sheets are available at www.erico.com and from your ERICO customer service representative.
2. ERICO products must never be used for a purpose other than the purpose for which they were designed or in a manner that exceeds specified load ratings.
3. All instructions must be completely followed to ensure proper and safe installation and performance.
4. Improper installation, misuse, misapplication or other failure to completely follow ERICO's instructions and warnings may cause product malfunction, property damage, serious bodily injury and death.

SAFETY INSTRUCTIONS: All governing codes and regulations and those required by the job site must be observed. Always use appropriate safety equipment such as eye protection, hard hat, and gloves as appropriate to the application.

CADDY, CADWELD, CRITEC, ERICO, ERIFLEX, ERITECH and LENTON are registered trademarks of ERICO International Corporation.

TECHNICAL SUPPORT:
www.erico.com

IP8318_A

1 of 1

© 2015 ERICO International Corporation



ERICO[®]